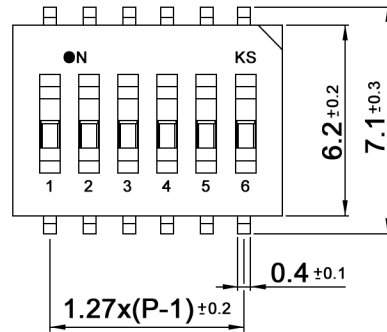
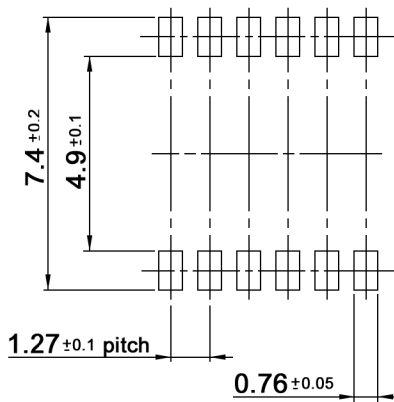


xx	Poles	A
02	2	3.70
04	4	6.20
06	6	8.75
08	8	11.30
10	10	13.80

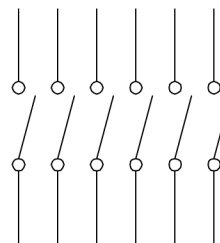


Delivery in OFF position

P.C.B. LAYOUT



CIRCUIT DIAGRAM



Compliance: RohS II (2011/65/EU)

Tolerances: 0-1: ±0.1mm 1-4: ±0.3mm 4-16: ±0.5mm	Date	Name	<h1>DHS 6xx-J</h1>
	12/13	dr	
Revised	08/15	dr	<h2>30 29 89</h2>
Specifications	01/14	dr	
Modifications	Date	Name	Page 1/3

knitter-switch

Specifications:

Contact rating: switching: 25mA, 24V DC
 non-switching: 100mA, 50V DC

Contact resistance: 100mOhm

Insulation resistance: 500MOhm min. at 100V DC

Dielectric strength: 300V AC min. for 1 minute

Operating temperature: -40°C to +85°C

Storage temperature: -40°C to +85°C

Mechanical life: 1000 cycles

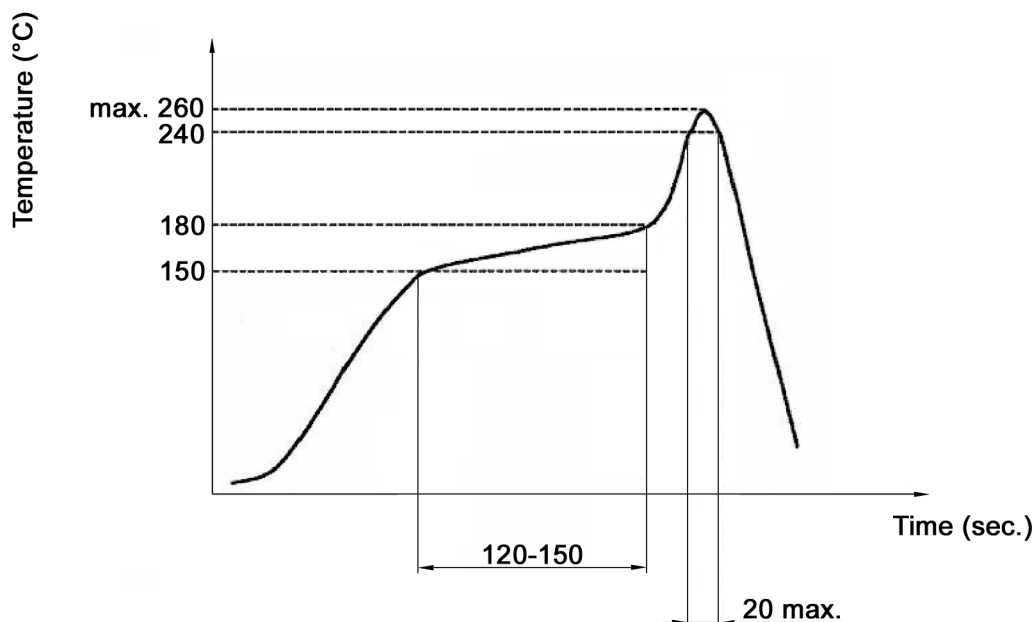
Operating force: 800gf max.

Packaging unit: 2000 pcs. / reel

Material: Cover / base: polyamide UL94V-0, black
 Knob: polyamide UL94V-0, white
 Terminal: phosphor bronze copper
 Fixed contact: phosphor bronze copper
 Movable contact: beryllium copper, gold plated

Washable by water or alcohol-based cleaners

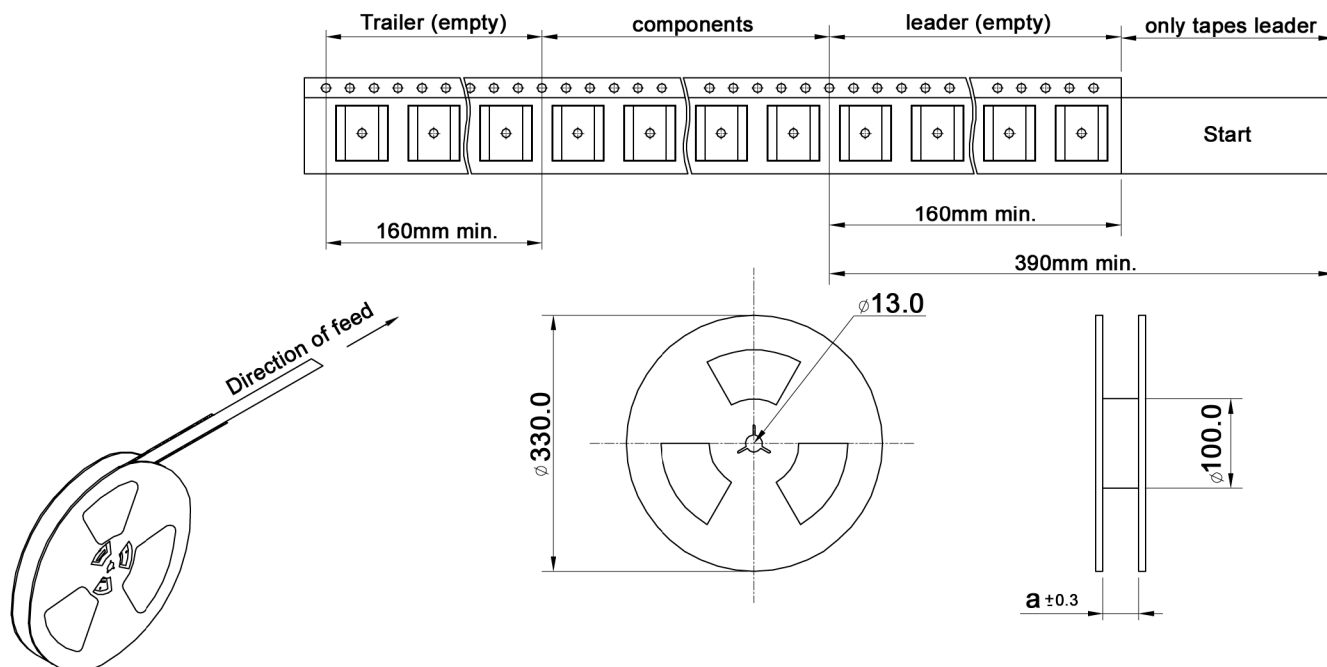
Soldering conditions:



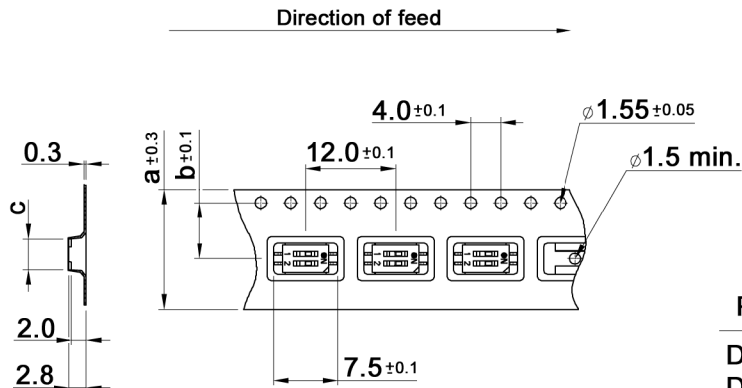
Compliance: RohS II (2011/65/EU)

Tolerances: 0-1: ±0.1mm 1-4: ±0.3mm 4-16: ±0.5mm	Date	Name	DHS 6xx-J	
	12/13	dr		
		knitter-switch	30 29 89	Page
Modifications	Date	Name		2/3

Packaging:

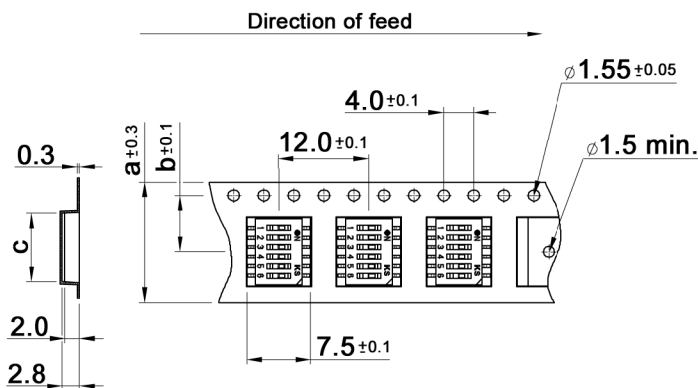


DHS 602-J:



Prod. No.	Poles	a	b	c
DHS 602-J	2	16	7.5	4.1±0.1
DHS 604-J	4	16	7.5	6.6±0.1
DHS 606-J	6	16	7.5	9.15±0.1
DHS 608-J	8	24	11.5	11.9±0.05
DHS 610-J	10	24	11.5	14.2±0.1

DHS 604-J....DHS 610-J:



Compliance: RohS II (2011/65/EU)

Tolerances: 0-1: ±0.1mm 1-4: ±0.3mm 4-16: ±0.5mm	Date	Name	<h1>DHS 6xx-J</h1>
	12/13	dr	
Modifications	Date	Name	

knitter-switch

30 29 89

Page
3/3