

## TECHNICAL CHARACTERISTICS

### SPECIFICATION

- >Rating: 50mA, 12VDC
- >Contact Resistance:
  - Initial: 100mOHM max.
  - After Life Test: 20HM max.
- >Insulation Resistance: min. 100MOHM at 500VDC
- >Dielectric Strength: 250VAC for 1 minute
- >Stroke: 0.3 ± 0.1 mm

### MATERIAL

- >Cover: Stainless Steel
- >Stem: LCP UL 94V-0
- >Frame: LCP UL 94V-0, color Black
- >Contact: Stainless Steel with silver cladding
- >Terminal: copper alloy with tin plating
- >Tape: Polyimide tape

### SOLDERING INFORMATION

- >Terminal in THT version
- >Wave soldering 260°C 10 sec. max.
- >Hand soldering under 350°C for 3 sec. max

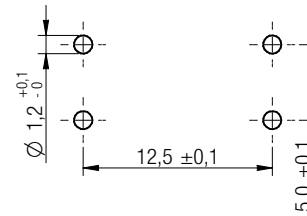
### ENVIRONMENTAL

- >Storage condition: -40°C ~ +85°C
- >Operation condition: -40°C ~ +85°C
- >Compliance: Lead Free, ROHS, Reach

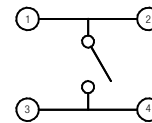
### PACKAGING INFORMATION

>Bulk

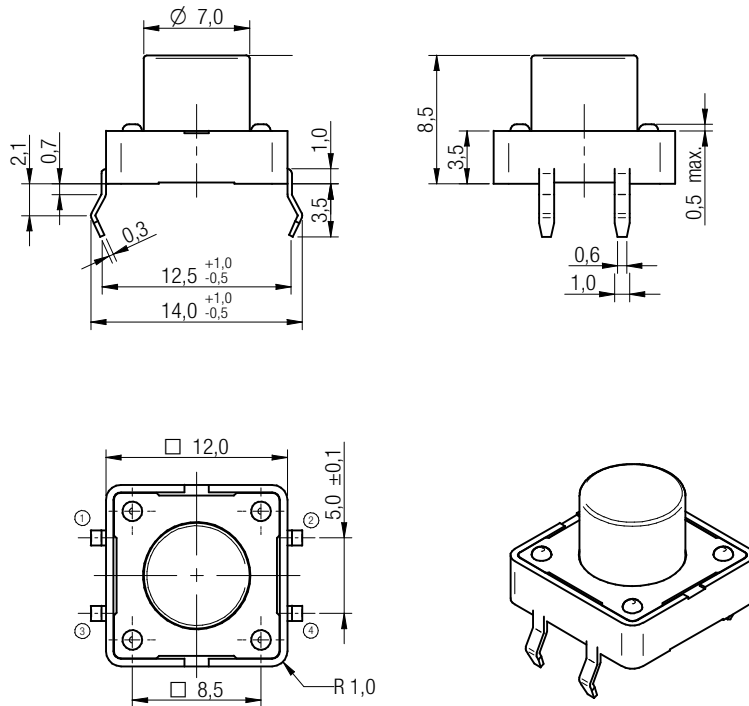
PN	Force	Color of Stem	Life cycle
430 476 085 716	160g ± 50gf	Black	500.000
430 466 085 726	260g ± 70gf	White	300.000
430 456 085 736	360g ± 90gf	Salmon	200.000



P.C.B. MOUNTING PLAN



SCHEMATIC



Scale - 2:1

This electronic component is designed and developed with the intention for use in general electronics equipments.

Before incorporating the components into any equipments in the field such as aerospace, aviation, nuclear control, submarine, transportation, (automotive control, train control, ship control), transportation signal, disaster prevention, medical, public information network etc. where higher safety and reliability are especially required or if there is possibility of direct damage or injury to human body, Würth Elektronik must be asked for a written approval.

In addition, even electronic component in general electronic equipments, when used in electrical circuits that require high safety, reliability functions or performance, the sufficient reliability evaluation-check for the safety must be performed before by the user before usage.

WE WÜRTH ELEKTRONIK		Projection		GENERAL TOLERANCE		Basic material		
				.x = +/- 0,2				
				.xx = +/- 0,15				
				Date	Name	DESCRIPTION		
				Drawn	11-02-14	SwTSW		
				Checked		WS-TSW 12x12mm washable Tact Switch, THT version		
						Scale	2:1	
b	warning text	11-10-28	WJ	Würth Elektronik		Position		
a	Material of Frame	11-04-12	WJ	eiCan		Drawing.- No. 4304x60857x6		
REV	FILE	DATE	BY	EDV NO	4304x60859x6.dft		SIZE A4	
							System Solid Edge V20	