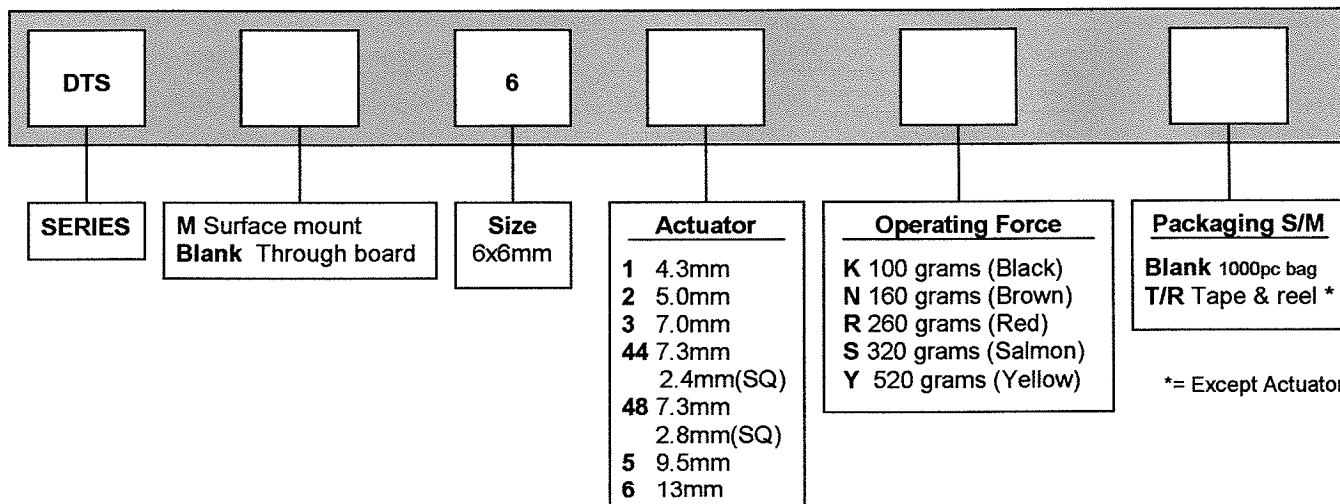




**DTS(M)-6 SERIES
MODULAR TACT SWITCHES
COMPACT**



*= Except Actuator 6

ELECTRICAL SPECIFICATIONS

- Function: off-momentary on
- Current /voltage rating: 50mA 12VDC max
- Initial contact resistance: 100mΩ max
- Insulation resistance: 100MΩ min. 500VDC
- Electrical life: 50,000 cycles (260,320 and 520 grams actuation forces)
500,000 cycles (100 and 160 grams actuation force)

MECHANICAL SPECIFICATIONS

- Actuation force: 520 +/-130 grams (Y)
320 +/-80 grams (S)
260 +/-50 grams (R)
160 +/-50 grams (N)
100 +/-50 grams (K)
- Key travel: 0.25mm,+0.2mm/- 0.1mm
- Vibration: MIL-STD-202F Method 201A
- Shock: MIL-STD-202F Method 213B

MATERIALS

- Top plate: Stainless steel
- Base: UL94V-0 nylon thermoplastic colour black
- Actuator: UL94V-0 nylon thermoplastic colour Black (100 grams),
Brown (160 grams)
Red (260 grams)
Salmon (320 grams)
Yellow (520 grams)
- Contacts: Silver plated phosphor bronze
- Terminals: Silver plated brass
- Body: Thermoplastic ABS

SOLDERING PROCESS

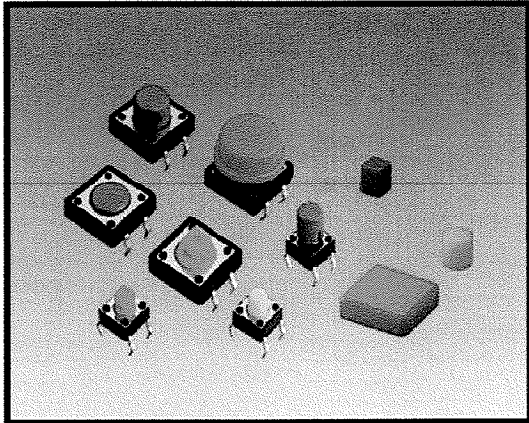
- Wave soldering: Recommended solder temperature 260°C (500°F) for 5 seconds
- Hand soldering: 30 watts soldering iron controlled at 320°C (608°F) for approx. 2seconds while applying solder

Pack Quantity

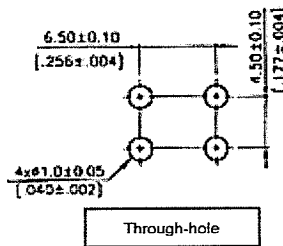
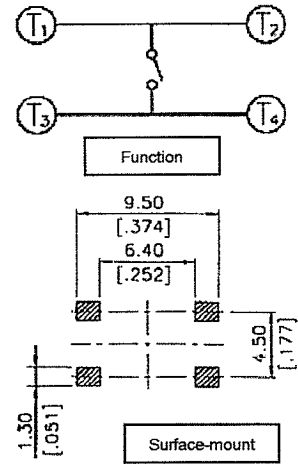
Through board 1000 pieces (bag)
Tube in multiples of 77
T/R contact Apem for quantity per reel

Specifications are subject to change without prior notice

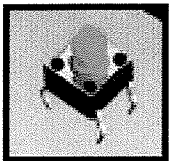
DTS(M)-6 SERIES MODULAR TACT SWITCHES COMPACT



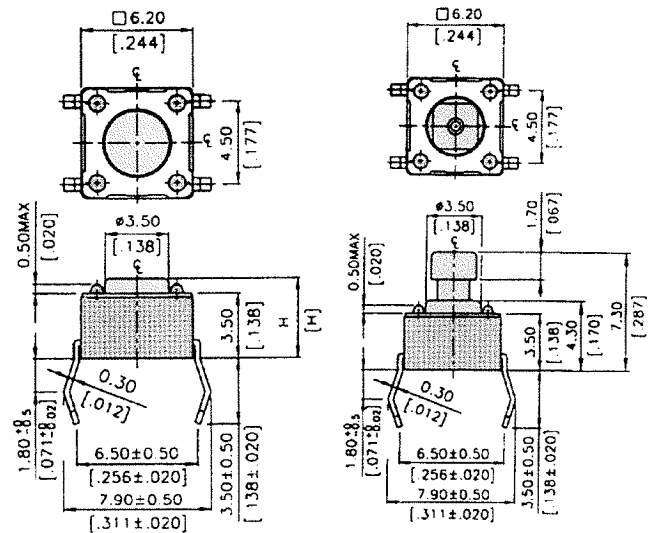
- SMT or through-hole
- Positive tactile feedback
- Sub-miniature
- 4.3mm to 13mm height



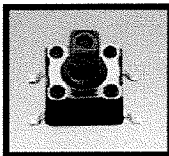
Through hole P.C.B mounting



Model Type:- DTS-6__



Surface mount



Model Type:- DTSM-6__

