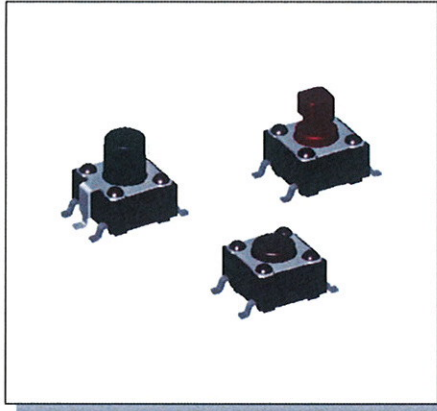


DTSM(G)-6 SERIES

6x6 Surface Mounting Type (Ground Terminal Optional)



HOW TO ORDER

D T S M | **6** | | | | |
 SMT

=Without Ground Terminal
=S.M.T & Ground Terminal

Height:
 1=4.3mm
 2=5.0mm
 3=7.0mm
 44=7.3mm (SQ.)x2.4mm
 48=7.3mm (SQ.)x2.8mm
 5=9.5mm
 6=13mm

Package:
 B=Tube
 T/R=Tape&Reel

=Phosphor Bronze Dome
=Stainless Steel Dome

Operating Force :
 K=Black, 100gf
 N=Brown, 160gf
 R=Red, 260gf
 S=Salmon, 320gf
 Y=Yellow, 520gf >Not Available For Halogen Free

SPECIFICATION

MECHANICAL

Operation Force: 520 ± 130gf Yellow (Y)
 320 ± 80gf Salmon (S)
 260 ± 50gf Red (R)
 160 ± 50gf Brown (N)
 100 ± 50gf Black (K)

Stroke: 0.25 +0.2mm / -0.1mm

ENVIRONMENTAL

Operation Temperature: -25°C to +70°C
 Storage Temperature: -30°C to +80°C

ELECTRICAL

Electrical Life: *Phosphor Bronze Dome
 50,000 cycles for 320gf, 520gf
 100,000 cycles for 260gf
 200,000 cycles for 100gf, 160gf
 *Stainless Steel Dome
 300,000 cycles for 320gf, 520gf
 500,000 cycles for 260gf
 1,000,000 cycles for 100gf, 160gf

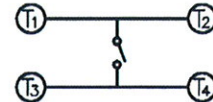
Rating: 50mA, 12VDC

PACKAGE

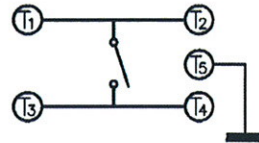
DTSM(G)-61:1000 pcs/reel
 DTSM-62:900 pcs/reel
 DTSMG-62:1000 pcs/reel
 DTSM(G)-63, 64:700 pcs/reel
 DTSM(G)-65:380 pcs/reel
 DTSM-66:200 pcs/reel
 77 pcs/tube

CIRCUIT

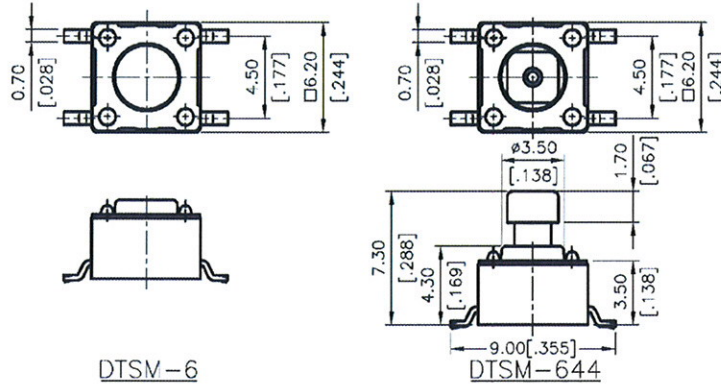
DTSM-6



DTSMG-6

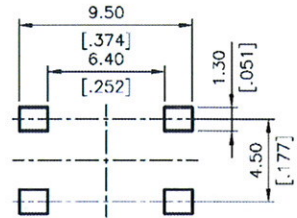


DTSM-6



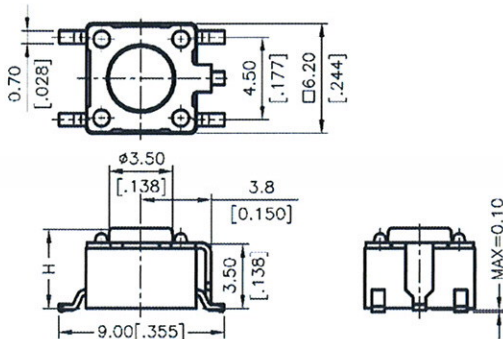
DTSM-644	□A	2.40	0.095
	□B	1.60	0.063
DTSM-648	□A	2.80	0.110
	□B	2.00	0.079
PROD. NO.	LOC.	MM	INCH.

DTSM-66	13.00	[.512]
DTSM-65	9.50	[.374]
DTSM-63	7.00	[.275]
DTSM-62	5.00	[.197]
DTSM-61	4.30	[.169]
PROD. NO.	H	

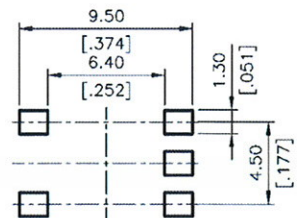


P.C.B. LAYOUT

DTSMG-6



DTSMG-66	13.00	[.512]
DTSMG-65	9.50	[.374]
DTSMG-63	7.00	[.275]
DTSMG-62	5.00	[.197]
DTSMG-61	4.30	[.169]
PROD. NO.	H	



P.C.B. LAYOUT