

# IK SERIES

## SURFACE MOUNT DIP SWITCHES

### *Distinctive features*

#### Low profile

- The lowest case available in 2, 4, 6 and 8 pole versions
- Reduction of the shadow effect in IR soldering
- 30 % reduction of component volume

#### Two versions

##### Surface mount models

- Designed for reflow soldering
- UL 94-V0 high temperature materials
- Tin plated terminals

##### Through-hole models

- Same thermal specifications as SMT models, allowing mixed soldering process

#### Washable by construction

- Moulded-in terminals
- Ultrasonic-welded case
- Two slots on case corners allowing removal of protection tape

#### Reliable contacts

- Anti-crush system on moving contact
- Bifurcated self-cleaning sliding contacts
- Positive detent actuation
- Recessed slide actuators preventing accidental actuation
- Good visibility of actuators : black slide on clear background

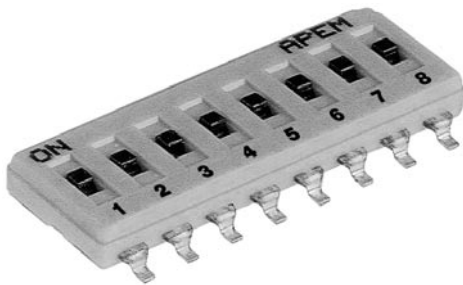
#### Two types of packaging

##### Surface mount models

- Tape and reel (1.000 pieces per reel) - IC tubes

##### Through-hole models

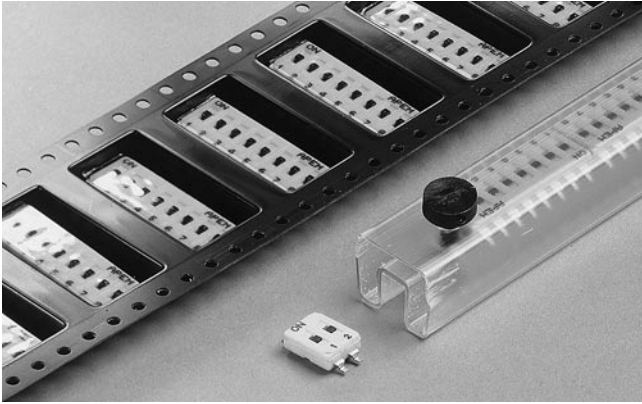
- IC tubes



F

# IK SERIES

## SURFACE MOUNT DIP SWITCHES



- Very low profile : 2,85 mm (.112)
- Self-cleaning wiping contacts
- Recessed actuator with positive detent
- Tin plated terminals
- Process compatible - withstand IR and vapor phase reflow soldering
- Washable

| Tape & reel       | IC tubes          | No pos. | Dimension "A" |
|-------------------|-------------------|---------|---------------|
| <b>IKN0204000</b> | <b>IKN0203000</b> | 2       | 6 (.236)      |
| <b>IKN0404000</b> | <b>IKN0403000</b> | 4       | 11.10 (.437)  |
| <b>IKN0604000</b> | <b>IKN0603000</b> | 6       | 16.20 (.637)  |
| <b>IKN0804000</b> | <b>IKN0803000</b> | 8       | 21.30 (.838)  |

All switches are supplied in "ON" position.  
Other models (3, 5 and 7 positions) : on request

### PACKAGING

Unrolling direction →

| Pos. | Tape dim. "L" | Reel dim. "A" |
|------|---------------|---------------|
| 2    | 16 (.629)     | 16.40 (.646)  |
| 4    | 24 (.944)     | 24.40 (.960)  |
| 6    | 24 (.944)     | 24.40 (.960)  |
| 8    | 32 (1.259)    | 32.40 (1.275) |

### SPECIFICATIONS

- Max. current/voltage rating :
  - switching : 100mA 24VDC
  - non-switching : 100mA 48VDC
- Contact resistance :
  - initial : 30 mΩ max.
  - after 2.000 cycles : 100 mΩ max.
- Insulation resistance : 1.000 MΩ min. at 500VDC
- Dielectric strength : 500 VAC min.
- Electrical life : 2.000 cycles
- Travel : 0,67 mm (.026)
- Operating temperature : -40°C to +100°C
- Storage temperature : -40°C to +125°C

### MATERIALS

- Case and actuator : UL 94-V0 thermoplastic
- Stationary contact : bronze, gold plated over nickel barrier
- Moving contact : beryllium copper, gold plated
- Terminals : tin plated over nickel barrier
- Protection tape : polyimide

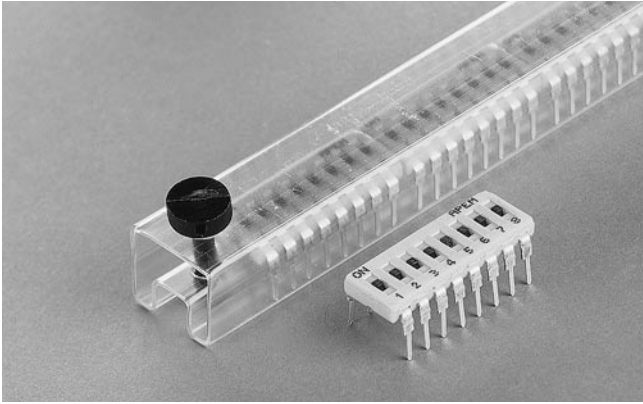
**Antistatic packaging - Standard packaging units :**

- Reels of 1.000 pieces

Tape meeting international standard IEC - Publication 286-3 (EIA481A)  
Start leader : 400 mm min. - End leader : 160 mm

- IC tubes : see next page.

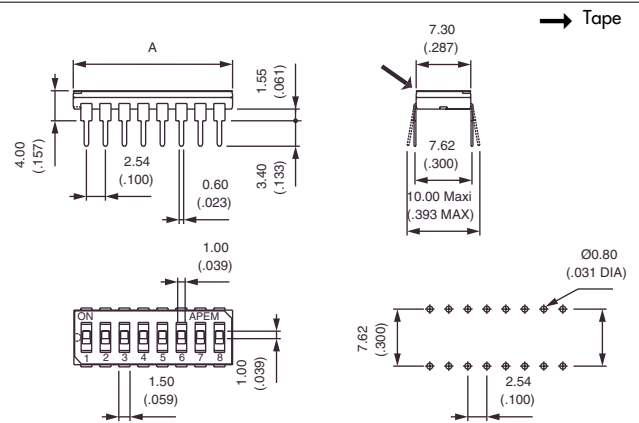
# IK SERIES THROUGH-HOLE DIP SWITCHES



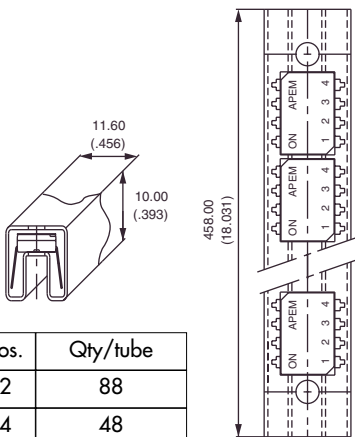
- Low profile : 4 mm (.156)
- Self-cleaning wiping contacts
- Recessed actuator with positive detent
- Tin plated terminals
- Wave solderable
- Washable

| Model No          | No pos. | Dimension "A" |
|-------------------|---------|---------------|
| <b>IKN0200000</b> | 2       | 6 (.236)      |
| <b>IKN0400000</b> | 4       | 11.10 (.437)  |
| <b>IKN0600000</b> | 6       | 16.20 (.637)  |
| <b>IKN0800000</b> | 8       | 21.30 (.838)  |

All switches are supplied in "ON" position.  
Other models (3, 5 and 7 positions) : on request



## PACKAGING



| Pos. | Qty/tube |
|------|----------|
| 2    | 88       |
| 4    | 48       |
| 6    | 33       |
| 8    | 25       |

IC TUBES

## SPECIFICATIONS

- Max. current/voltage rating :
  - switching : 100mA 24VDC
  - non-switching : 100mA 48VDC
- Contact resistance :
  - initial: 30 mΩ max.
  - after 2.000 cycles : 100 mΩ max.
- Insulation resistance : 1.000 MΩ min. at 500VDC
- Dielectric strength : 500 VAC min.
- Electrical life : 2.000 cycles
- Travel : 0,67 mm (.026)
- Operating temperature : -40°C to +100°C
- Storage temperature : -55°C to +125°C

## MATERIALS

- Case and actuator : UL 94-V0 thermoplastic
- Stationary contact : bronze, gold plated over nickel barrier
- Moving contact : beryllium copper, gold plated
- Terminals : tin plated over nickel barrier
- Protection tape : polyimide

**Dimensions** : first dimensions are in mm while inches are shown as bracketted numbers.