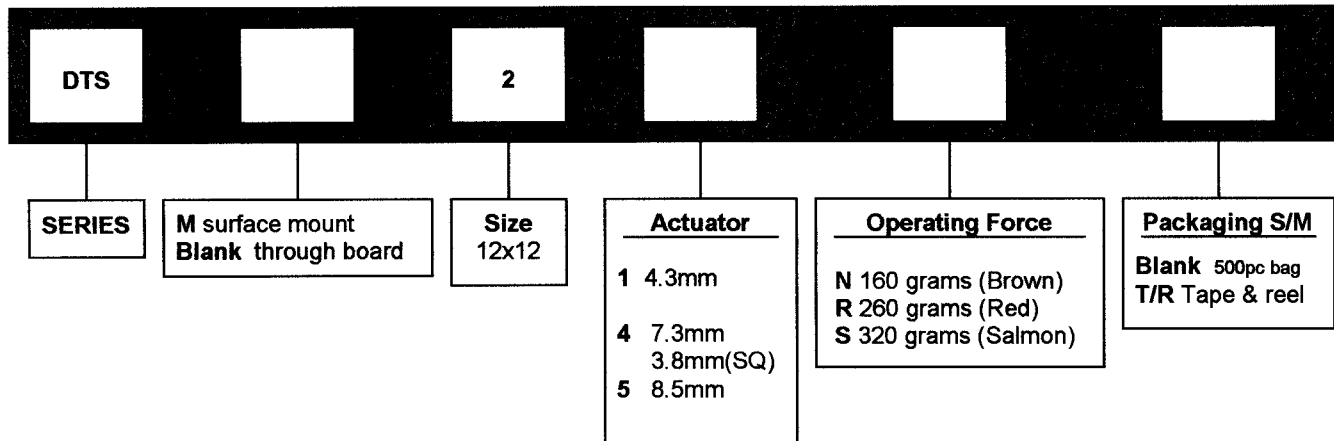




**DTS(M)-2 SERIES
MODULAR TACT SWITCHES
COMPACT**



ELECTRICAL SPECIFICATIONS	
● Function:	off-momentary on
● Current /voltage rating:	50mA 12VDC max
● Initial contact resistance:	100mΩ max
● Insulation resistance:	100MΩ min. 500VDC
● Electrical life:	50,000 cycles (260 and 320, grams actuation forces) 500,000 cycles (160 grams actuation force)

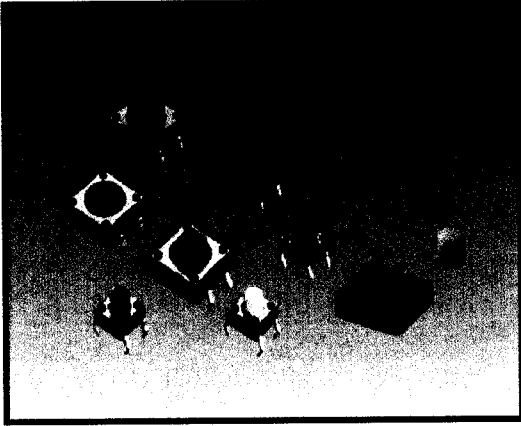
MECHANICAL SPECIFICATIONS	
● Actuation force:	160 +/-50 grams (N) 320 +/-80 grams (S) 260 +/-50 grams (R)
● Key travel:	0.25mm,+0.2mm/- 0.1mm
● Vibration:	MIL-STD-202F Method 201A
● Shock:	MIL-STD-202F Method 213B

MATERIALS	
● Top plate:	Stainless steel
● Base:	UL94V-0 nylon thermoplastic colour black
● Actuator:	UL94V-O nylon thermoplastic colour Brown (160 grams) Red (260 grams) Salmon (320 grams)
● Contacts:	Silver plated phosphor bronze
● Terminals:	Silver plated brass
● Body:	Thermoplastic ABS

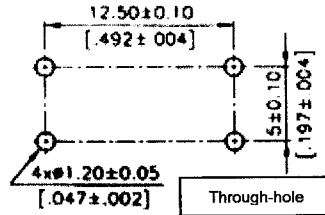
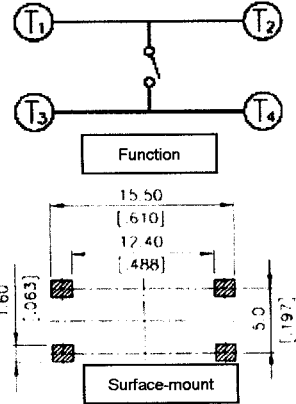
SOLDERING PROCESS	
● Wave soldering:	Recommended solder temperature 260°C (500°F) for 5 seconds
● Hand soldering:	30 watts soldering iron controlled at 320°C (608°F) for approx. 2seconds while applying solder
Pack Quantity	
Through board 500 pieces (bag) Tubes in multiples of 40 T/R contact Apem for quantity per reel	

Specifications are subject to change without prior notice

DTS(M)-2 SERIES MODULAR TACT SWITCHES COMPACT



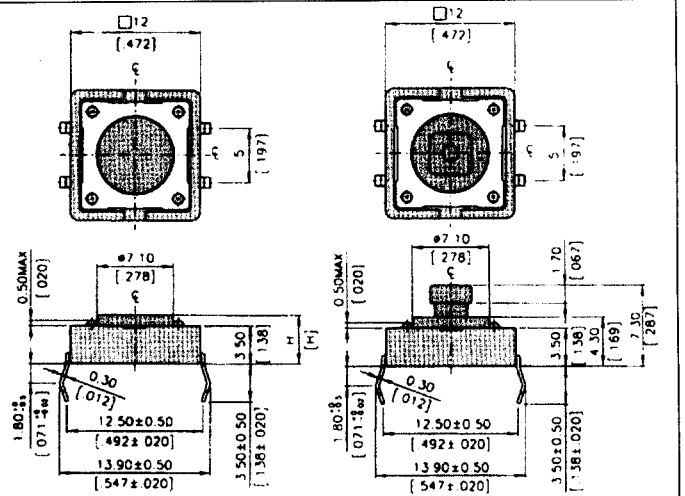
- SMT or through-hole
- Positive tactile feedback
- Sub-miniature
- 4.3mm to 8.5mm height



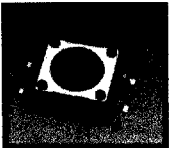
Through hole P.C.B mounting



Model Type:- DTS-2__



Surface mount



Model Type:- DTSM-2__

