

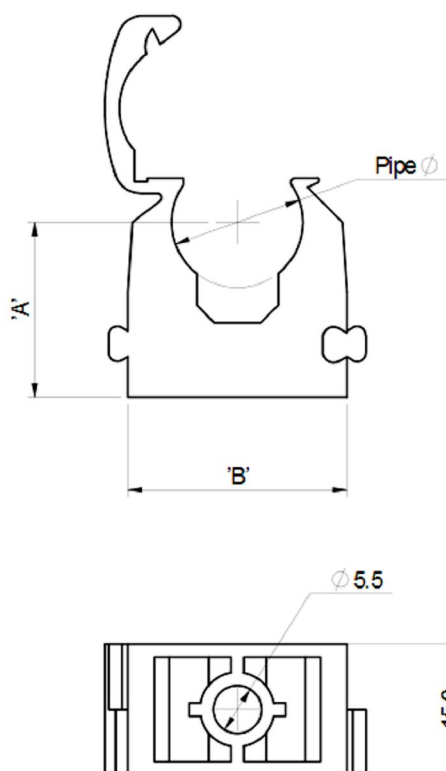
Product Data Sheet

15mm, 18mm, 22mm & 28mm Pipe Clips



| Applications | |
|-----------------|---|
| Plumbing | ✓ |
| Drinks Dispense | ✓ |
| Pneumatics | ✓ |
| Air Ring Main | ✓ |

John Guest Pipe Clips have been designed to securely clip metal or plastic pipes in position. Regardless of size, Pipe Clips can be fixed to adjacent clips by means of an integral lug.



| Pipe Size | Product No. | Colour | A | B |
|-----------|-------------|--------|------|------|
| Ø 15.0 | PC15W | White | 19.5 | 25.0 |
| | PC15E | Black | | |
| | PC15R | Red | | |
| | PC15B | Blue | | |
| Ø 18.0 | PC18W | White | 21.2 | 29.0 |
| | PC18E | Black | | |
| | PC18R | Red | | |
| | PC18B | Blue | | |
| Ø 22.0 | PC22W | White | 23.0 | 35.0 |
| | PC22E | Black | | |
| | PC22R | Red | | |
| | PC22B | Blue | | |
| Ø 28.0 | PC28W | White | 26.0 | 43.0 |
| | PC28E | Black | | |
| | PC28R | Red | | |
| | PC28B | Blue | | |

| Part Description | Material |
|------------------|---------------|
| Pipe Clip | Polypropylene |

All Dimensions in mm

THE COPYRIGHT IN THIS DRAWING AND THE PRODUCTS REFERRED THEREON BELONG TO JOHN GUEST INTERNATIONAL LIMITED AND THIS DRAWING NOR THE INFORMATION CONTAINED HEREIN SHALL BE PRODUCED IN ANY FORM OR USED FOR ANY PURPOSE WITHOUT WRITTEN CONSENT © 2009

The company has a policy of continuous research and development and reserves the right to amend without notice the specification and design of all products illustrated. For details of terms and conditions and any other technical enquiries, please contact our Customer Services Department.

ISSUE 3 SMD 16-09-09

DS-PCXXX