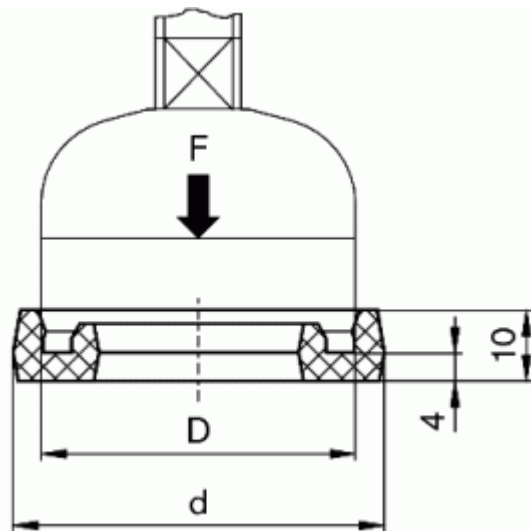


Hinged feet

**Damping ring for hinged feet**

C

**D**



00109703

|                         |   |
|-------------------------|---|
| Part numbers (TNR)      | 3 842 521 817                                 |
| Designation             | Damping ring, for hinged feet, D=44mm, d=52mm |
| Order   VE packing unit | 20  |
| Material                | Natural PUR, shore hardness A: 70–80          |

**Product family info**

Accessories: bearing ring

**Product info**

The electrically insulated damping ring (D) prevents vibrations from being transmitted.