



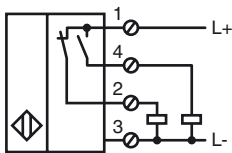
**Model Number**

CJ40-FP-A2-P1

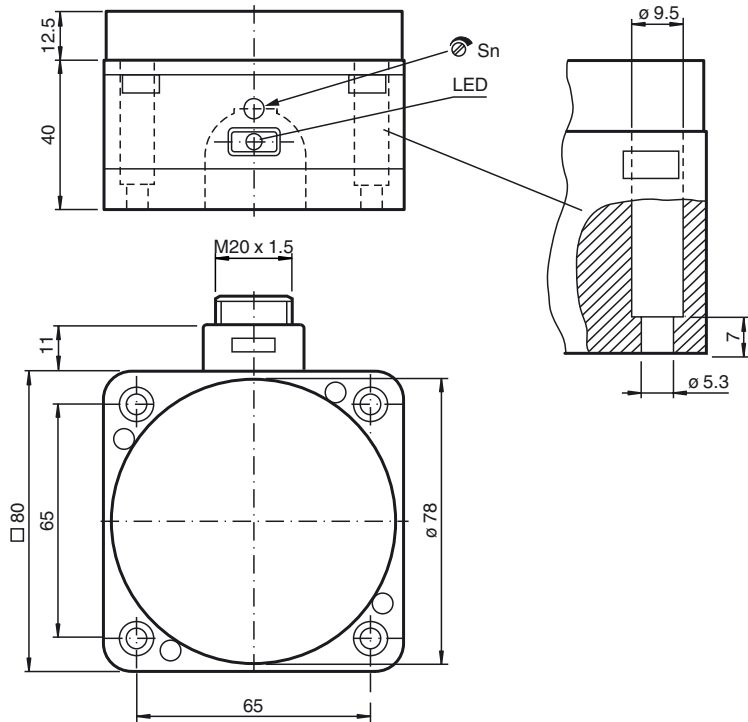
**Features**

- 40 mm non-flush
- 4-wire DC
- The switching distance can be set over a wide range with the potentiometer

**Connection**



**Dimensions**



**Technical Data**

**General specifications**

|                            |           |               |
|----------------------------|-----------|---------------|
| Switching element function | PNP       | NO/NC         |
| Rated operating distance   | $s_n$     | 40 mm         |
| Installation               | non-flush |               |
| Output polarity            | DC        |               |
| Assured operating distance | $s_a$     | 0 ... 32.4 mm |

**Nominal ratings**

|                                |                            |                |
|--------------------------------|----------------------------|----------------|
| <b>Installation conditions</b> |                            |                |
| B                              |                            | 40 mm          |
| C                              |                            | 80 mm          |
| F                              |                            | 120 mm         |
| Operating voltage              | $U_B$                      | 10 ... 60 V DC |
| Switching frequency            | f                          | 0 ... 10 Hz    |
| Reverse polarity protection    | reverse polarity protected |                |
| Short-circuit protection       | pulsing                    |                |
| Voltage drop                   | $U_d$                      | $\leq 2.8$ V   |
| Operating current              | $I_L$                      | 0 ... 200 mA   |
| No-load supply current         | $I_0$                      | $\leq 20$ mA   |
| Switching state indication     | LED, yellow                |                |

**Indicators/operating means**

|               |                        |
|---------------|------------------------|
| Potentiometer | sensitivity adjustment |
|---------------|------------------------|

**Ambient conditions**

|                     |                                |
|---------------------|--------------------------------|
| Ambient temperature | -25 ... 70 °C (-13 ... 158 °F) |
|---------------------|--------------------------------|

**Mechanical specifications**

|                    |                           |
|--------------------|---------------------------|
| Connection type    | screw terminals           |
| Core cross-section | up to 2.5 mm <sup>2</sup> |
| Housing material   | PBT/POM                   |
| Sensing face       | POM                       |
| Housing base       | PBT                       |
| Protection degree  | IP65                      |

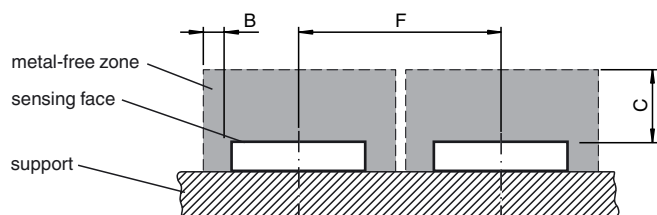
**Compliance with standards and directives**

|                            |   |
|----------------------------|---|
| <b>Standard conformity</b> |   |
| Standards                  | EN 60947-5-2:2007<br>IEC 60947-5-2:2007 |

**Approvals and certificates**

|              |                                |
|--------------|--------------------------------|
| UL approval  | cULus Listed, General Purpose  |
| CSA approval | cCSAus Listed, General Purpose |

**Installation conditions**



Release date: 2013-04-09 12:07 Date of issue: 2013-04-09 046476\_eng.xml