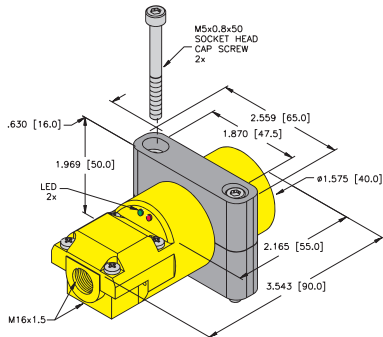


TURCK

Level Sensors - Capacitive



Housing Style	Part Number	ID Number	Features	Embeddable Range (mm)	Nonembed. Range (mm)	Output
34 mm - Embeddable, Terminal Chamber	BC15-K34SR-VN4X2	M2502128	Comp. Outputs	15	23	4-Wire DC NPN
	BC15-K34SR-VP4X2	M2502129	Comp. Outputs	15	23	4-Wire DC PNP
	BC15-K34SR-FZ3X2	M2310009	Prog. Outputs	15	23	2-Wire AC
40 mm - Embeddable, Terminal Chamber	BC20-K40SR-VN4X2	M2510100	Comp. Outputs	20	30	4-Wire DC NPN
	BC20-K40SR-VP4X2	M2510000	Comp. Outputs	20	30	4-Wire DC PNP
	BC20-K40SR-FZ3X2	M2310300	Prog. Outputs	20	30	2-Wire AC



Voltage	Switching Freq. (Hz)	Operating Current (mA)	Operating Temp. (°C)	Protection Class	Housing	End Cap	Power LED	Output LED	Mating Cordset	Wiring Diagram #	Wiring Diagrams
10-65 VDC	100	≤200	-25 to +70	IP 67	PBT-GF30-V0	ABS	GN	YE	- - - -	1	<p>Diagram 1</p>
10-65 VDC	100	≤200	-25 to +70	IP 67	PBT-GF30-V0	ABS	GN	YE	- - - -	2	<p>Diagram 2</p>
20-250 VAC	20	≤500	-25 to +70	IP 67	PBT-GF30-V0	ABS	GN	YE	- - - -	3	<p>Diagram 3</p>
10-65 VDC	100	≤200	-25 to +70	IP 67	ABS	ABS	GN	YE	- - - -	1	
10-65 VDC	100	≤200	-25 to +70	IP 67	ABS	ABS	GN	YE	- - - -	2	<p>-OR-</p>
20-250 VAC	20	≤500	-25 to +70	IP 67	ABS	ABS	GN	YE	- - - -	3	

CAPACITIVE