

# CONTROL PRODUCTS

## Piezo Exit Switch

A vandal proof exit switch for users operating in harsh environment, high traffic areas

- Sealed in a rugged, weatherised stainless steel enclosure
- Vandal resistant, tamper resistant, weather and dust resistant to IP68
- Programmable 'door open' time, 'fail secure/fail safe' option selectable
- Green LED 'relay on' and red LED 'relay off' reversible
- 5 year guarantee

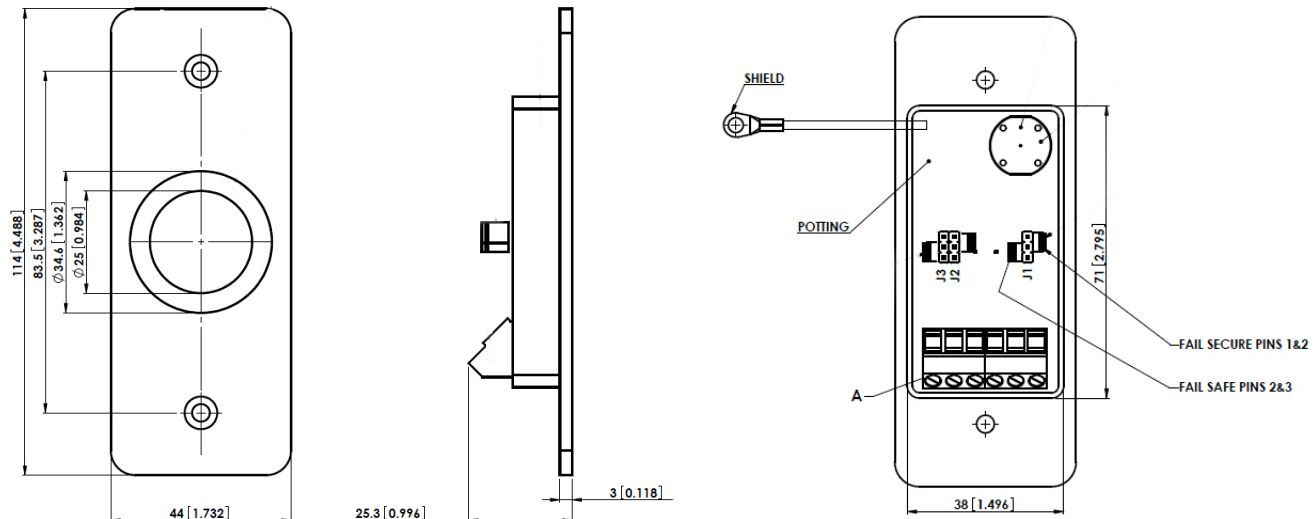
CPA-EXIT-SW



### SPECIFICATIONS

Input Voltage	12-24VDC
Switching current	1.5A Max
Actuation force	3-5N
Make impulse time	1 to 60 seconds
Operating temperature	-20°C to 70°C
Storage temperature	-40°C to 85°C
Ingress Protection	IP68
Electrical Lifetime	15 million operations
Current consumption	40mA idle, 80mA active

PART NO.	DESCRIPTION
CPA-EXIT-SW	Exit Switch



PCB  
TERMINAL  
BLOCKS

INTER-  
CONNECTION

FUSES &  
FUSE-  
HOLDERS

LEDs &  
INDICATORS

MINIATURE  
SWITCHES

LIMIT &  
SAFETY  
SWITCHES

CONTROL  
PRODUCTS

INTERFACE  
MODULES &  
SUPPORTS

RELAY  
BASES

ENCLOSURES

BATTERIES

TRANS-  
FORMERS



+44 (0)1638 716101  
info@camdenboss.com  
www.camdenboss.com

We operate a constant improvement policy,  
our products are subject to change without notice.

Ver 1.0 Iss 1

**CAMDENBOSS**  
ELECTRONICS & ENCLOSURES