

New!

PBA series

Piezo switches Ø 30 mm

Distinctive features and specifications

SW-PBA30-1706



- Bushing diameter 30 mm (1.181)
- Sealed to IP68 and IP69K (switches mounted on panel)
- Easy to clean metal surface
- Very long life expectancy
- Ring illumination: flush or prominent ring

ENVIRONMENTAL SPECIFICATIONS

- Sealing : IP68 per IEC 60529, IP69K per DIN 40050-9 (switches mounted on panel)
- Operating temperature : -40 °C to +75 °C (-40 °F to +167 °F)

ELECTRICAL SPECIFICATIONS

- Max. current/voltage rating with resistive load : 1 A 24 VAC/DC
- Switch resistance ON : 10 Ω max.
- Switch resistance OFF : 5 MΩ min.
- Life expectancy : 50 million cycles
- LED consumption : 20 mA

GENERAL SPECIFICATIONS

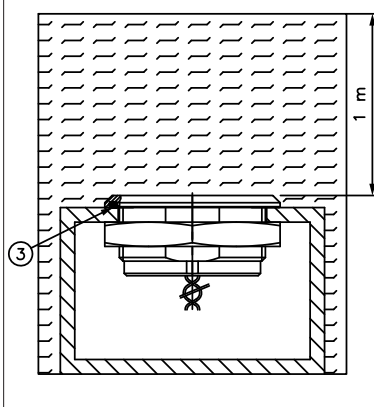
- Operating force : 6 to 12 N
- Torque : 1.5 Nm min. - 10 Nm max

MATERIALS

- Case : aluminum, anodized or stainless steel 316L
- Multi-wire leads section 0,22 mm² length 300 mm, twisted by pair
- Cable, length 300 mm, section depending on switch model

Note : to maintain the ESD performance, always add a ground washer when the panel is made of non-conductive material (PVC, polycarbonate).
For part numbers, see "Mounting accessories" on the following pages.

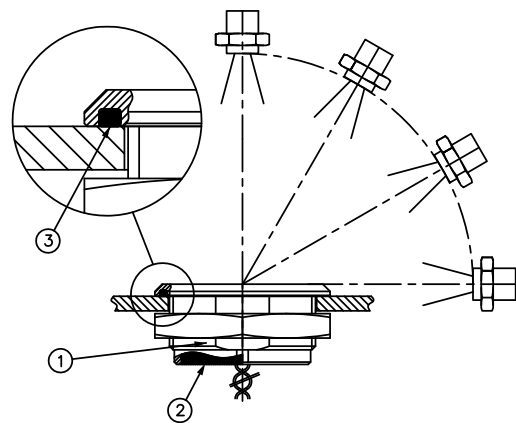
SEALING IP68



Continuous immersion in water IP68 test conditions

Continuous immersion in water
(1m, 24 hours)

SEALING IP69K



High pressure, high temperature wash down IP69K test conditions

- Pressure : 80 - 120 bars
- Distance : 15 cm
- Temperature : 80°C ± 5°C
- Flow : 14 - 16 l/mn
- Duration : 30 seconds per position

- ① One-piece bushing
- ② Epoxy sealed terminals
- ③ O-ring

The company reserves the right to change specifications without notice.

PBA series

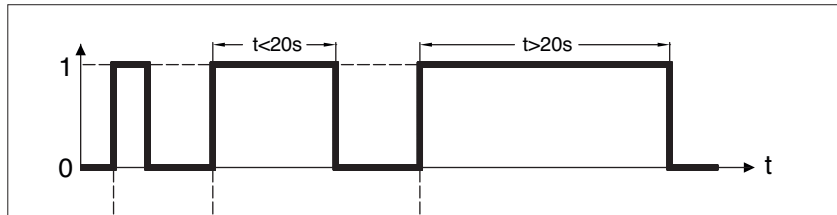
New!

Piezo switches

Electrical functions

FINGER PRESSURE applied to switch

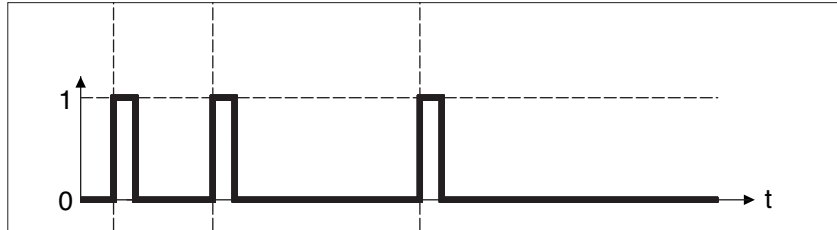
1 = pressure
0 = no pressure



OUTPUT

- Momentary NO (pulse)
No external power supply required

1 = closed output
0 = open output



Wiring diagrams

	Non-illuminated	1 LED *	2 LEDs	3 LEDs
Momentary NO				

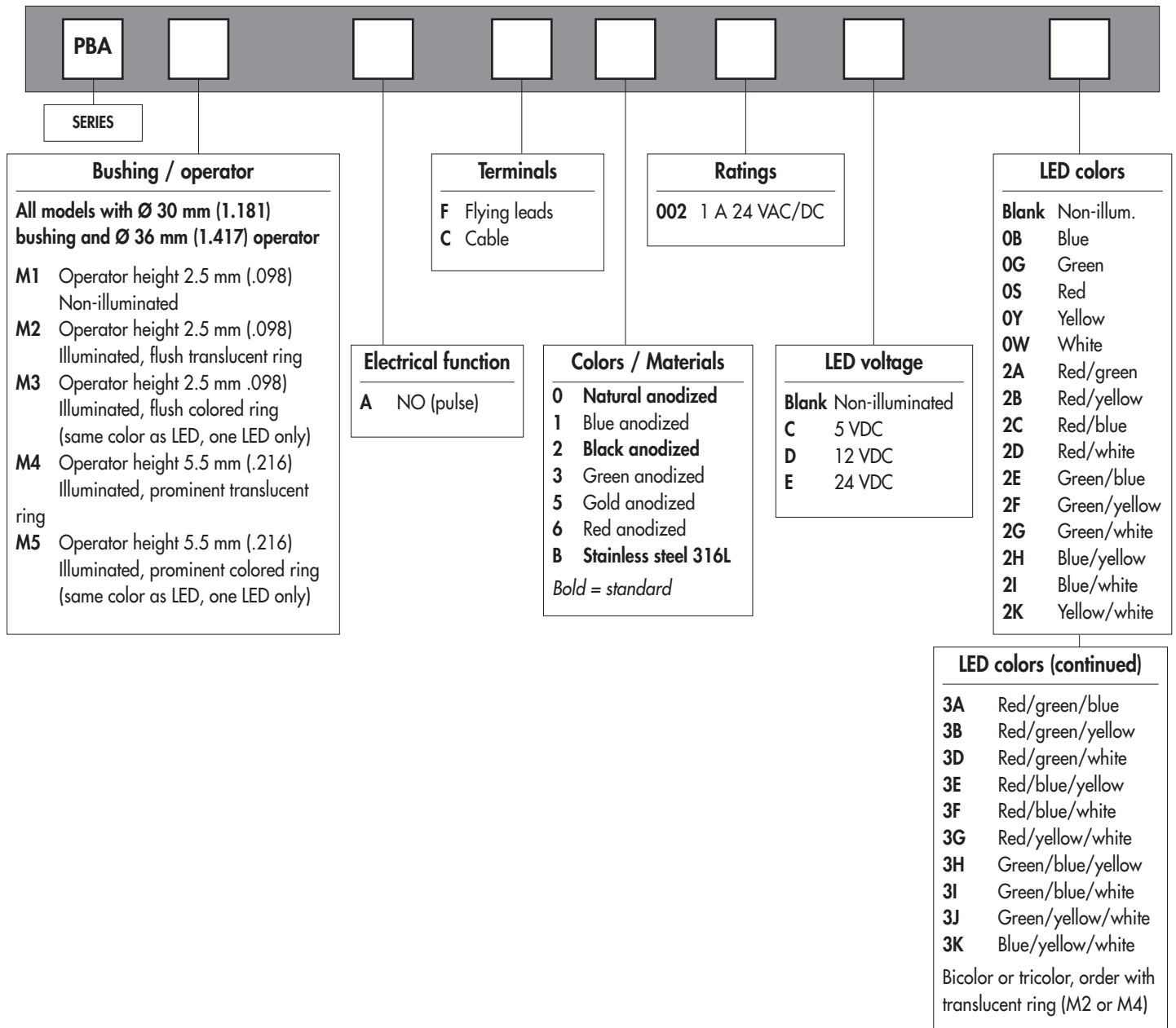
Legend : C = yellow, D = blue, B = black, A = same colour as LED * LED colour is indicated by the bottom of the product.

New!

PBA series

Piezo switches Ø 30 mm

Overview



For options not listed above, please contact APEM.

Dimensions : First dimensions are in mm while inches are shown as bracketed numbers.



NOTICE : please note that not all combinations of above numbers are available. Refer to the following pages for further information.



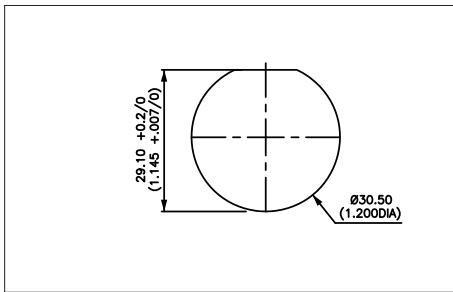
Mounting accessories : standard hardware supplied : 1 hex nut U6730 (36 mm ac. flats) and 1 O-ring. Always add a ground washer U7340 when the panel is non-conductive (PVC, polycarbonate).

PBA series

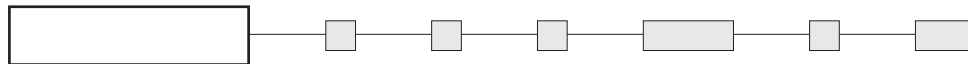
New!

Piezo switches \varnothing 30 mm

Illuminated or non-illuminated



MODEL STRUCTURE



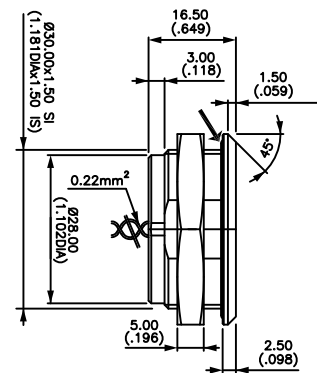
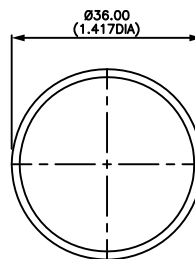
Shown with flying lead terminals

Non-illuminated, operator height 2.50 mm (.098)

→ O-ring



PBAM1



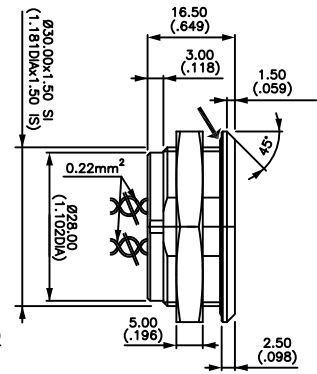
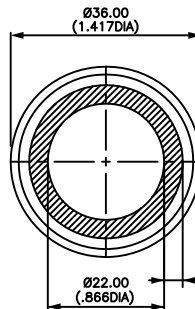
Flush illuminated ring, operator height 2.50 mm (.098)

→ O-ring



Translucent ring
PBAM2

Colored ring
PBAM3



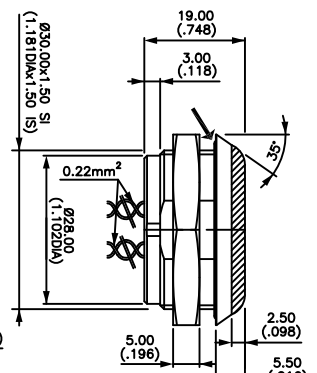
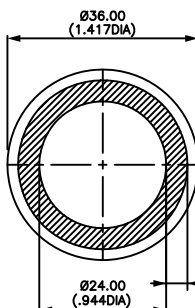
Prominent illuminated ring, operator height 5.50 mm (.216)

→ O-ring



Translucent ring
PBAM4

Colored ring
PBAM5



Wire colours : see "Wiring diagrams" on previous pages.

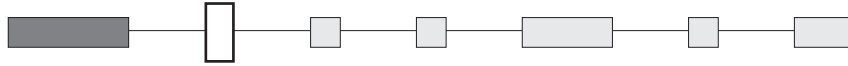
New!

PBA series

Piezo switches Ø 30 mm

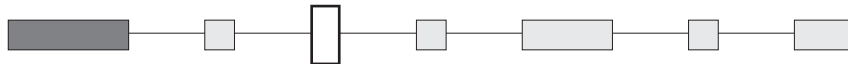
Options

ELECTRICAL FUNCTION

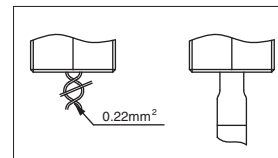


A NO pulse

TERMINALS



F Flying leads
C Cable



CASE COLOURS / MATERIALS



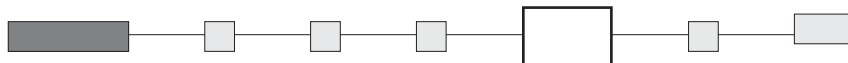
Code	Colour
0	Natural anodized aluminium
1	Blue anodized aluminium
2	Black anodised aluminium

Code	Colour
3	Green anodized aluminium
5	Gold anodized aluminium
6	Red anodised aluminium

Code	Colour
B	Stainless steel 316L

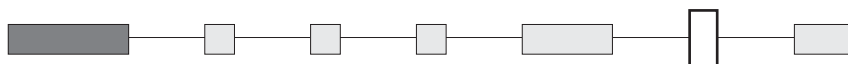
Bold = standard

RATINGS



002 1 A 24 VAC or DC

LED VOLTAGE



Blank : non-illuminated

C 5 VDC
D 12 VDC
E 24 VDC

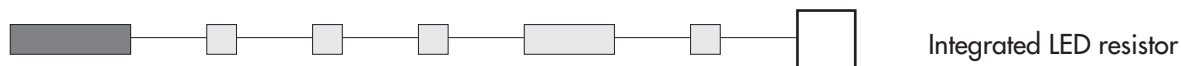
PBA series

Piezo switches Ø 30 mm

New!

Options

LED COLOURS



Blank : non-illuminated

Illuminated 1 LED *

0B : blue - **0G** : green - **0S** : red - **0Y** : yellow - **0W** : white

Illuminated 2 LEDs (with translucent ring)

2A : red/green - **2B** : red/yellow - **2C** : red/blue - **2D** : red/white - **2E** : green/blue - **2F** : green/yellow - **2G** : green/white
2H : blue/yellow - **2I** : blue/white - **2K** : yellow/white

Illuminated 3 LEDs (with translucent ring)

3A : red/green/blue - **3B** : red/green/yellow - **3D** : red/green/white - **3E** : red/blue/yellow - **3F** : red/blue/white
3G : red/yellow/white - **3H** : green/blue/yellow - **3I** : green/blue/white - **3J** : green/yellow/white - **3K** : blue/yellow/white

* LED colour is indicated by the bottom of the product.