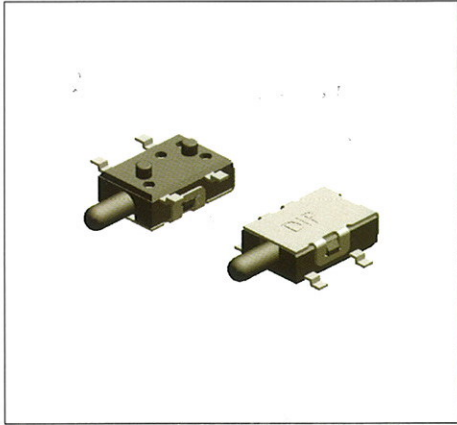
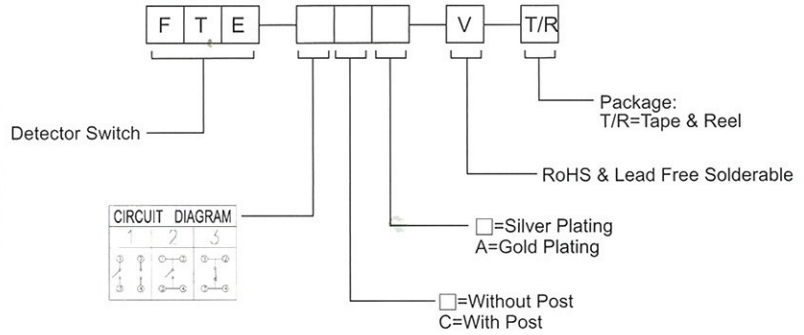


# FTE SERIES

## Detector Horizontal Type



### HOW TO ORDER



### SPECIFICATION

#### MECHANICAL

Operation Force: 105gf max.  
Stroke: 2.0mm

#### ENVIRONMENTAL

Operation Temperature Range : -10°C to +60°C  
Storage Temperature Range : -20°C to +70°C

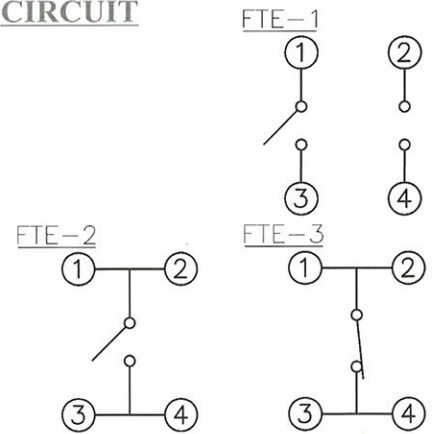
#### ELECTRICAL

Electrical Life: 100,000 cycles.  
Rating: 1mA, 5VDC

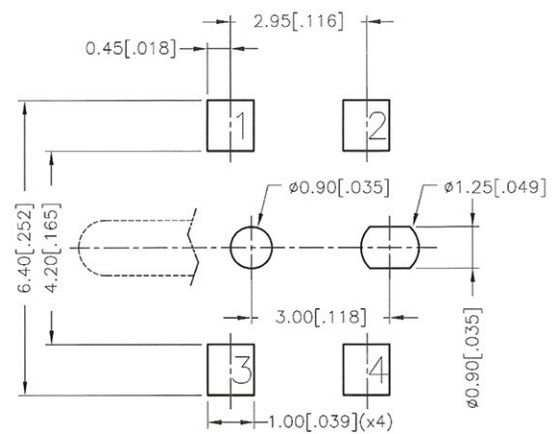
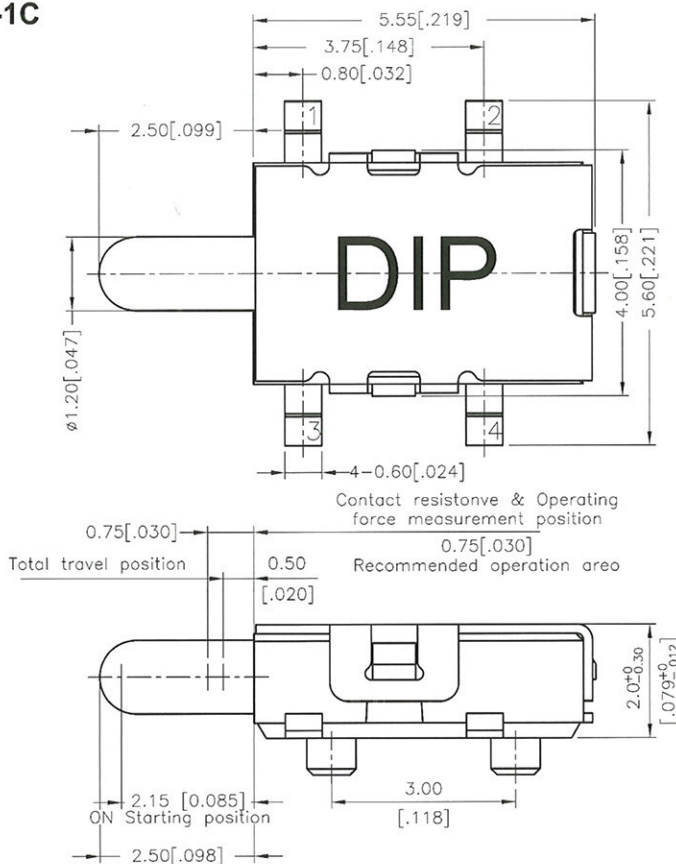
#### PACKAGE

Tape & Reel : 3000 pcs/reel

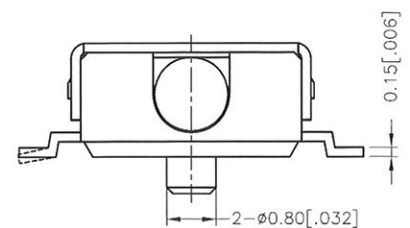
### CIRCUIT



### FTE-1C



### P.C.B. LAYOUT

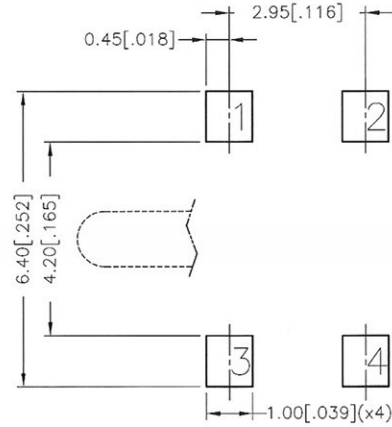
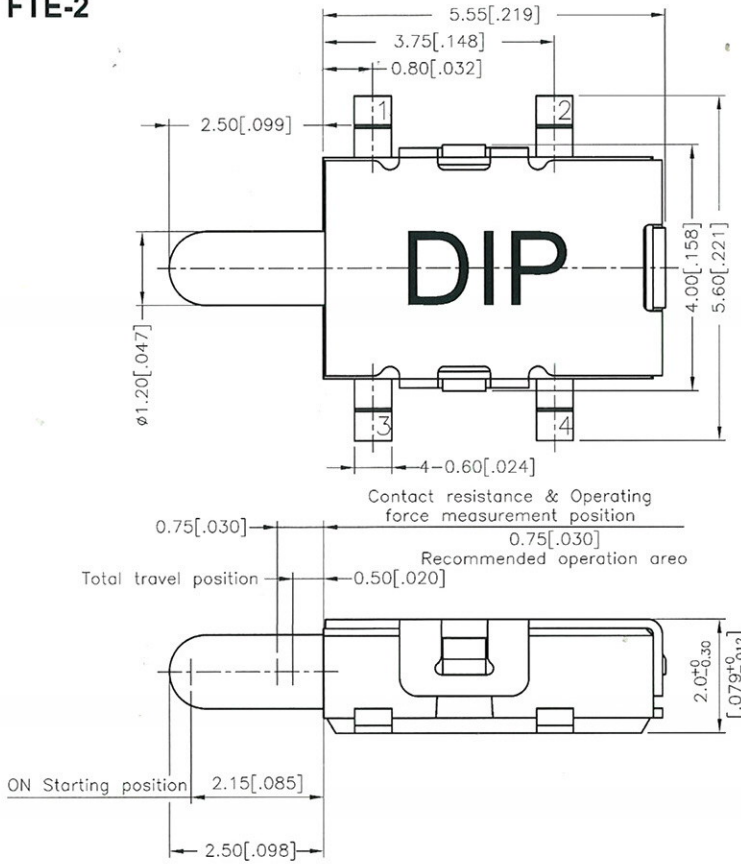


# FTE SERIES

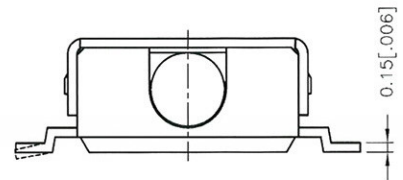
## Detector Horizontal Type



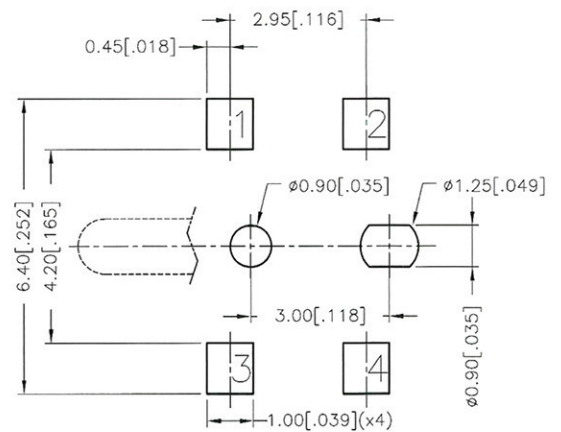
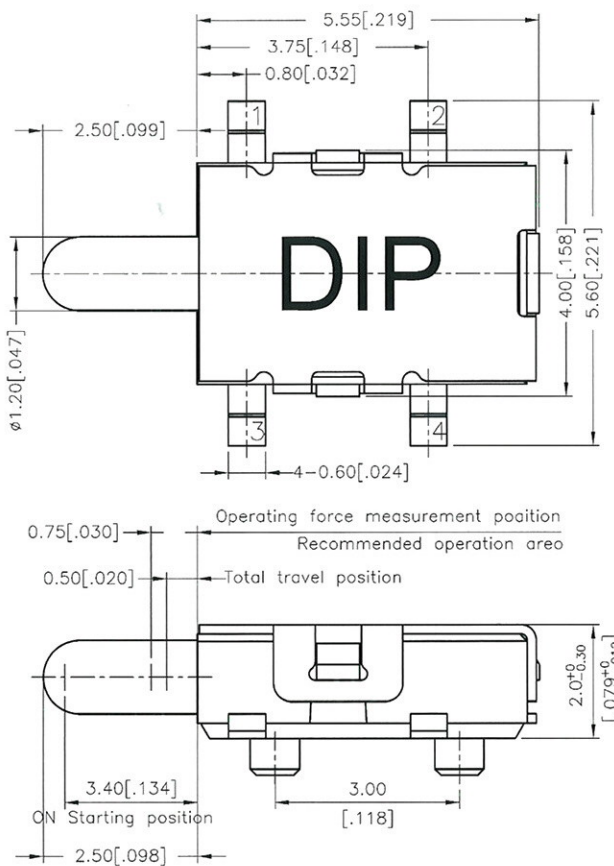
### FTE-2



P.C.B. LAYOUT



### FTE-3C



P.C.B. LAYOUT

