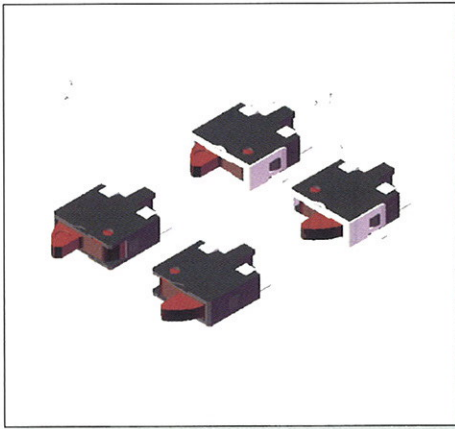
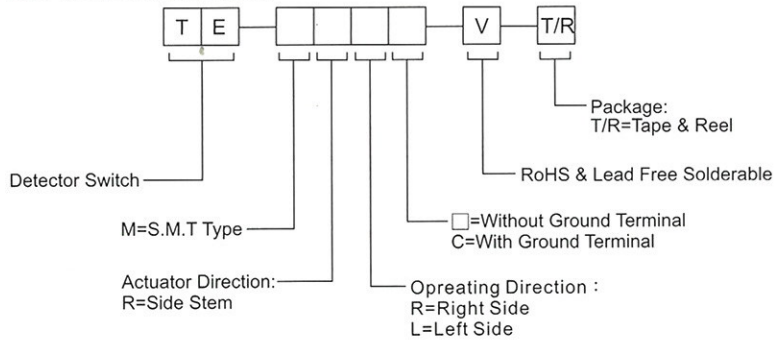


TE-MR SERIES

Detector Horizontal Type



HOW TO ORDER



SPECIFICATION

MECHANICAL

Operation Force: 40gf max.
Stroke: 2.15mm max.

ENVIRONMENTAL

Operation Temperature Range : -10°C to +60°C
Storage Temperature Range : -20°C to +70°C

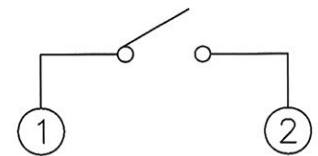
ELECTRICAL

Electrical Life: 100,000 cycles.
Rating: 50mA, 20VDC.

PACKAGE

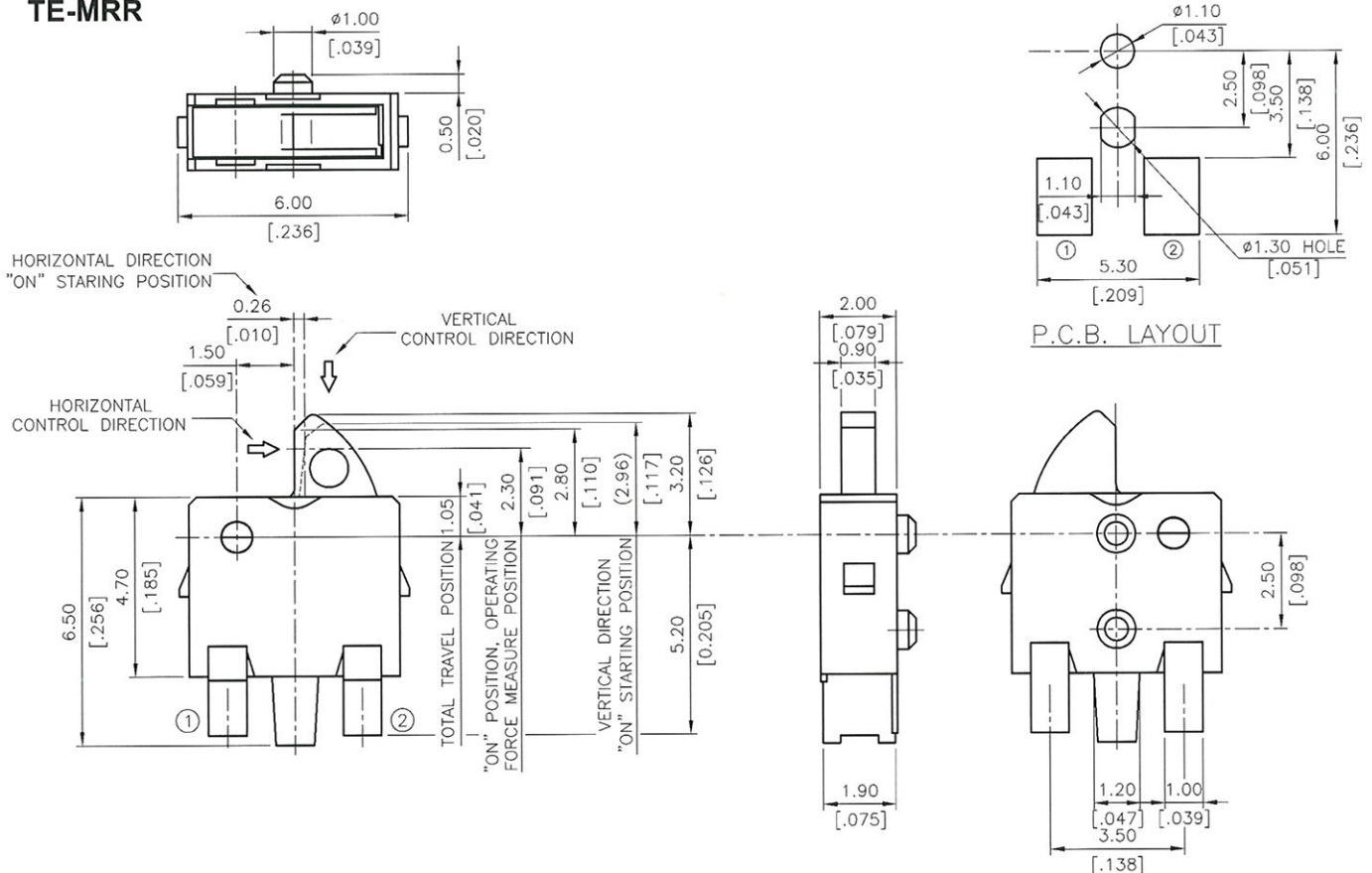
TE-MR□-T/R: 3000 pcs/reel
TE-MR□C-T/R: 2000 pcs/reel

CIRCUIT



DETECTOR SWITCH

TE-MRR

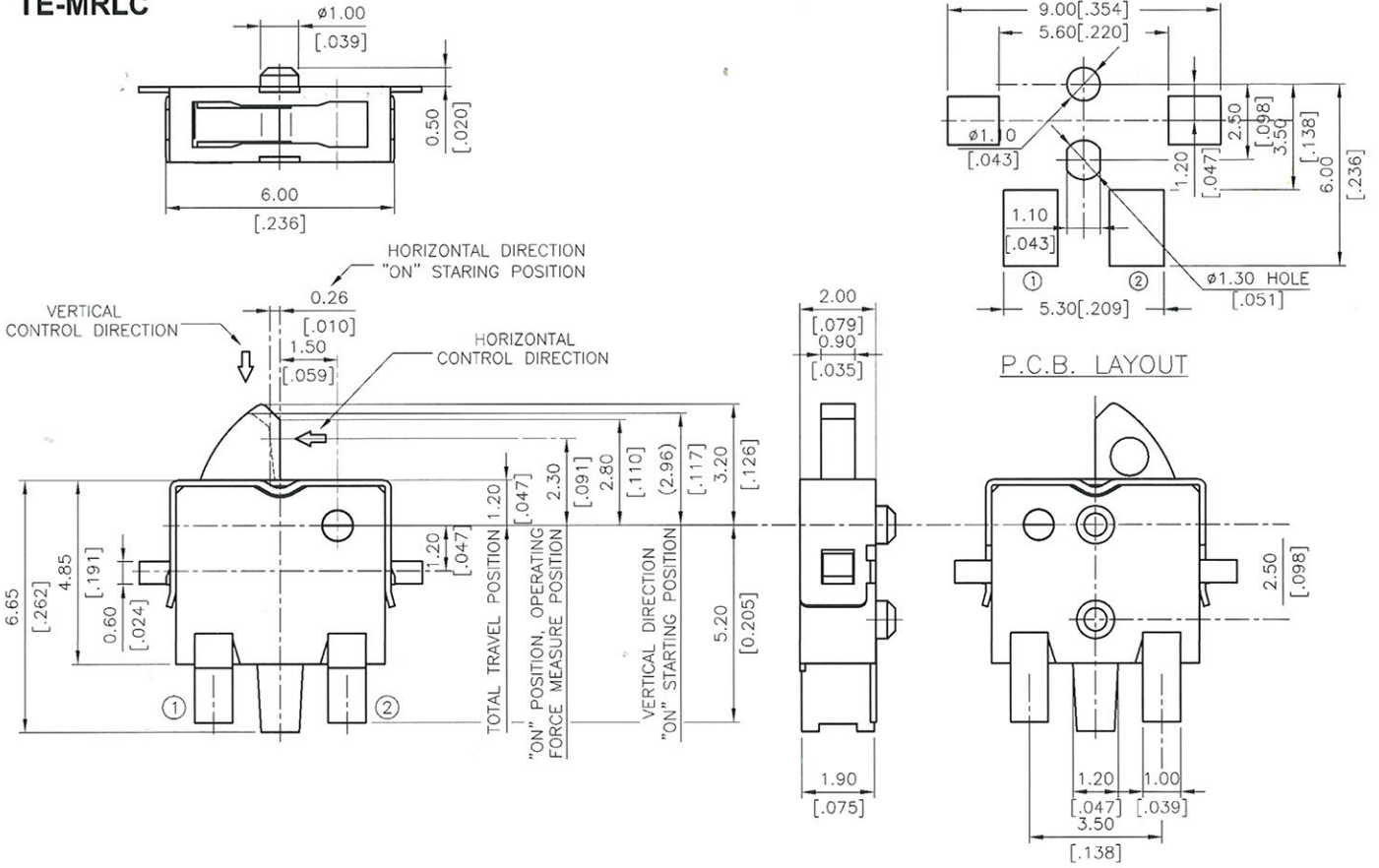


TE-MR SERIES

Detector Horizontal Type



TE-MRLC



DETECTOR SWITCH