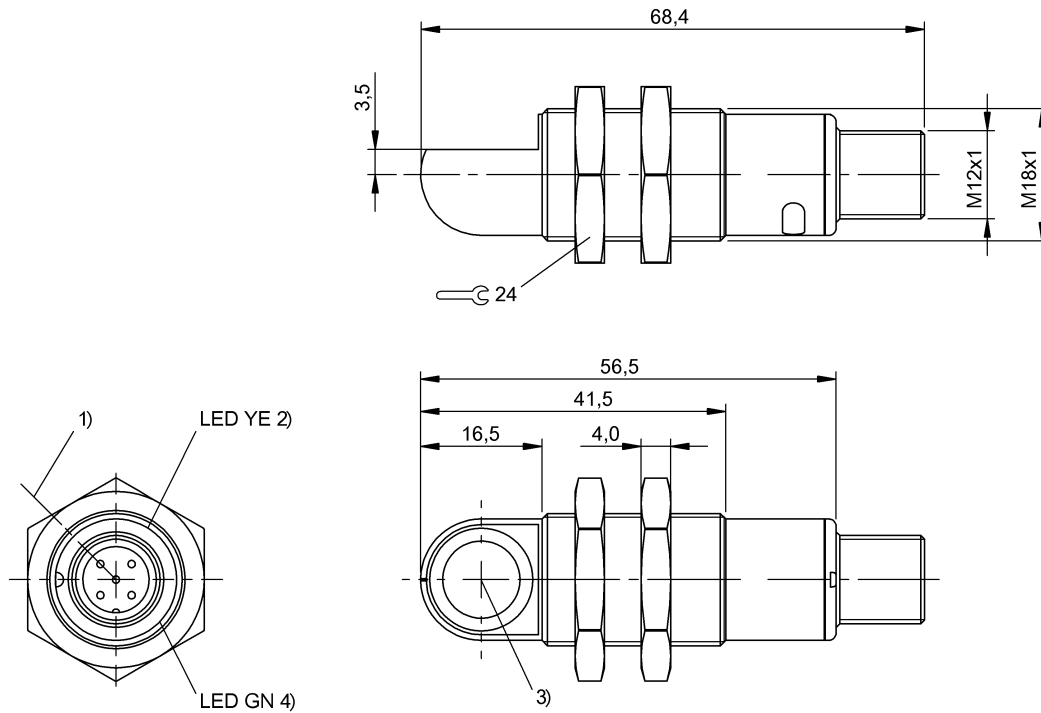


BUS W18M1-GPXI-12/100-S92G BUS004N



1) Exit direction 90° connector 2) Output function 3) Ultrasonic transducer axis 4) Operating voltage



Display/Operation

Adjuster no

Electrical connection

Connection M12x1-Connector
Polarity reversal protected yes
Short-circuit protection yes

Electrical data

Current draw max. 40 mA
Hysteresis H max. 20 mm
MTTF (40 °C) 845 a
Operating voltage U_b 10...30 VDC
Output current max. 100 mA
Rated operating voltage U_e DC 24 V
Switching frequency 10 Hz
Synchronization internal, max. 10 sensors
Ultrasonic frequency 200 kHz

Environmental conditions

Ambient temperature -25...70 °C
Protection type IEC 60529 IP67
Storage temperature -40...85 °C

Functional safety

Diagnostic coverage 0 %
Functional safety no
Mission Time 10 a

General data

Application Distance measurement
Object detection
Approval/Conformity CE
Operating mode IO-Link
Refl.light scanner (switch.pnt.)
Refl.light scanner (window)
Retro-reflector
Series W18M1

BUS W18M1-GPXI-12/100-S92G BUS004N

Material

Housing material	Brass PBT
Material sensing surface	PU foamEpoxy resinGlass
Surface protection	nickel plates

Mechanical data

Fastening detail	Nut M18x1
------------------	-----------

Output/Interface

Input function	Select operating mode Factory setting (Reset) Synchronization on/off NO/NC SIO mode/IO-Link mode Teach switching distance, 2 values Synchronization signal
Interface	IO-Link 1.0
Interface setting option	Switch. point (2x for window) SIO mode/IO-Link mode Measured value filter

Hysteresis	Filter strength (10 levels)
Operating mode	Foreground suppression range
Factory setting (Reset)	Normally open/Normally closed
20 ms	Factory setting (Reset)
Distance value	Switching state
Switching state	PNP/NPN Normally open/ Normally closed (NO/NC)

Process data cycle min.	
Process data out	
Switching output	

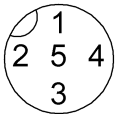
Range/Distance

Measuring range	120...1300 mm
Range	120...1300 mm
Rated operating distance Sn	1000 mm
Repeat accuracy	±0.15 % FS
Resolution	≤ 0.069 mm

For further information on MTTF/B10d, please refer to the MTTF / B10d Certificate.

Specification of the MTTF value and the B10d value do not represent any binding quality and/or life expectancy guarantees.

Connector view



Wiring Diagram

