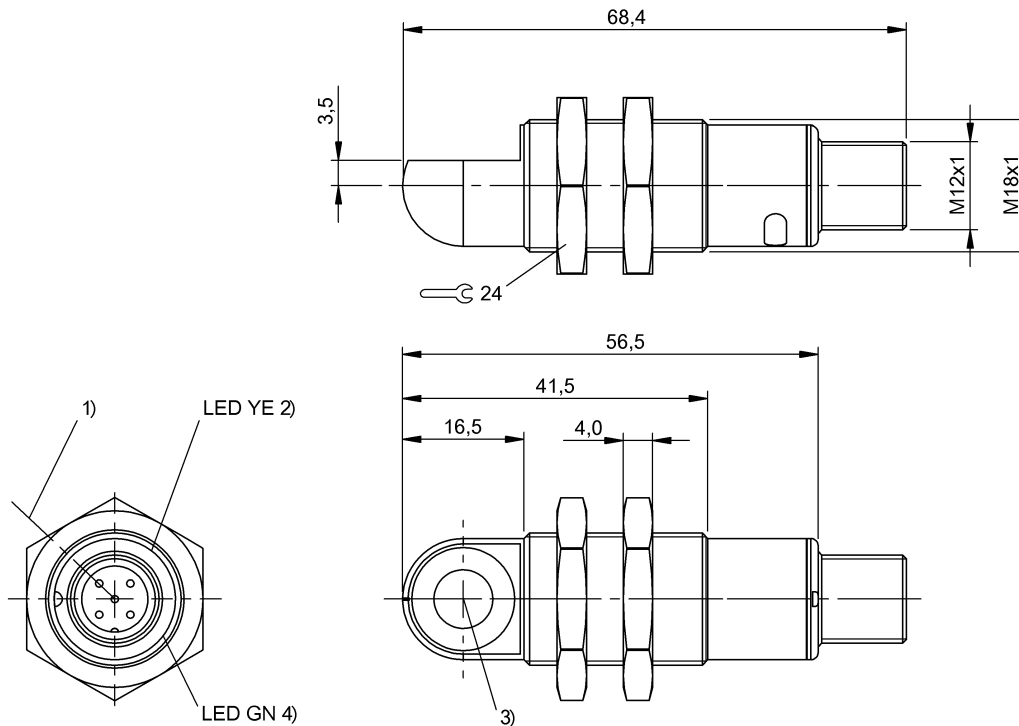


## BUS W18M1-GPXI-03/025-S92G BUS002A



1) Exit direction 90° connector 2) Output function 3) Ultrasonic transducer axis 4) Operating voltage



### Display/Operation

Adjuster no

### Electrical connection

Connection M12x1-Connector  
Polarity reversal protected yes  
Short-circuit protection yes

### Electrical data

Current draw max. 40 mA  
Hysteresis H max. 3 mm  
MTTF (40 °C) 845 a  
Operating voltage  $U_b$  10...30 VDC  
Output current max. 100 mA  
Rated operating voltage  $U_e$  DC 24 V  
Switching frequency 25 Hz  
Synchronization internal, max. 10 sensors  
Ultrasonic frequency 320 kHz

### Environmental conditions

Ambient temperature -25...70 °C  
Protection type IEC 60529 IP67  
Storage temperature -40...85 °C

### Functional safety

Diagnostic coverage 0 %  
Functional safety no  
Mission Time 10 a

### General data

Application Distance measurement  
Object detection  
Approval/Conformity CE  
Operating mode IO-Link  
Refl.light scanner (switch.pnt.)  
Refl.light scanner (window)  
Retro-reflector  
Series W18M1

## BUS W18M1-GPXI-03/025-S92G BUS002A

### Material

Housing material	Brass PBT
Material sensing surface	PU foamEpoxy resinGlass
Surface protection	nickel plates

### Mechanical data

Fastening detail	Nut M18x1
------------------	-----------

### Output/Interface

Input function	Select operating mode Factory setting (Reset) Synchronization on/off NO/NC SIO mode/IO-Link mode Teach switching distance, 2 values Synchronization signal
Interface	IO-Link 1.0
Interface setting option	Switch. point (2x for window) SIO mode/IO-Link mode Measured value filter

Hysteresis	Filter strength (10 levels)
Operating mode	Foreground suppression range
Factory setting (Reset)	Normally open/Normally closed
8 ms	Factory setting (Reset)
Distance value	Switching state
Switching output	PNP/NPN Normally open/ Normally closed (NO/NC)

Process data cycle min.	
Process data out	
Switching output	

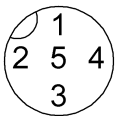
### Range/Distance

Measuring range	30...350 mm
Range	30...350 mm
Rated operating distance Sn	250 mm
Repeat accuracy	±0.15 % FS
Resolution	≤ 0.070 mm

For further information on MTTF/B10d, please refer to the MTTF / B10d Certificate.

Specification of the MTTF value and the B10d value do not represent any binding quality and/or life expectancy guarantees.

### Connector view



### Wiring Diagram

