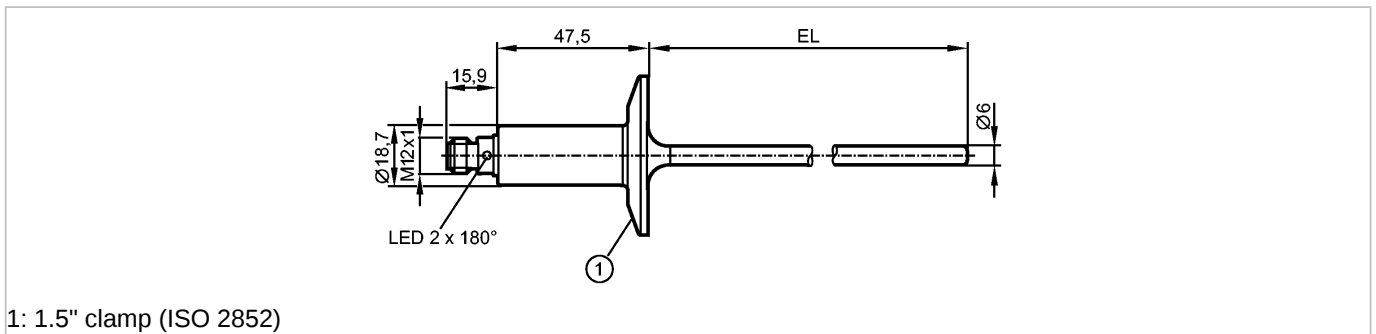


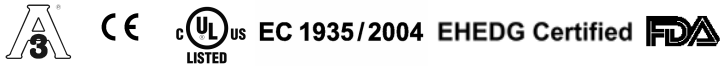
**TA2842**

TA-150CLEC01- - /US

Temperature sensors



1: 1.5" clamp (ISO 2852)



**IO-Link**

**Product characteristics**

Temperature transmitter
Process connection: 1.5" clamp (ISO 2852)
Installation length EL: 150 mm
Suitable for direct installation
Analog output
Measuring range: -50...200 °C
Measuring element: 1 x Pt 1000, to DIN EN 60751, class A
Factory setting: 0...200 °C

**Application**

Application	liquids and gases
Pressure rating [bar]	160
Vacuum resistance [mbar]	-1000

**Electrical data**

Electrical design	DC
Operating voltage [V]	18...32 DC; cULus - Class 2 source required
Current consumption [mA]	< 50
Protection class	III
Reverse polarity protection	yes

**Outputs**

Output	Analog output
Output function	4...20 mA analog
Short-circuit protection	yes
Overload protection	yes
Analog output	4...20 mA
Max. load [Ω]	250 (18...19 V); 300 (19...32 V)

**Measuring / setting range**

Measuring range °C	-50...200
Factory setting	0...200 °C
Resolution	
Analog output [K]	≤ 0.04

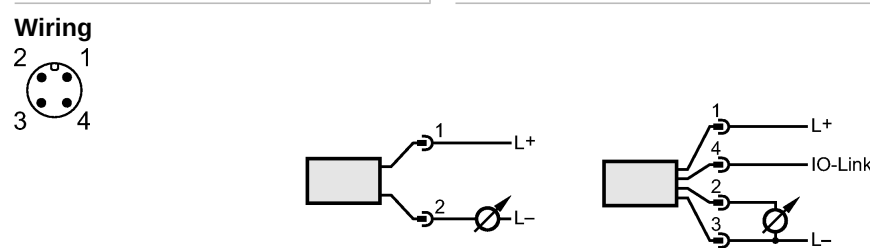
**Accuracy / deviations**

Analog output [K]	± 0.3 + (± 0.1 % MS)
-------------------	----------------------

## TA2842

TA-150CLEC01- - /US

Temperature sensors

Temperature coefficients (in % of the span per 10 K)	0.1	
<b>Reaction times</b>		
Power-on delay time [s]	2	
Dynamic response T05 / T09 [s]	< 0.5 / < 2	
<b>Interfaces</b>		
IO-Link Device		
Transfer type	COM2 (38.4 kBaud)	
IO-Link revision	1.1	
<b>Environment</b>		
Ambient temperature [°C]	-25...80, at max. 160 °C medium temperature (-25...60 °C at max. 200 °C medium temperature)	
Storage temperature [°C]	-40...100	
Protection	IP 67 / IP 68 / IP 69K	
<b>Tests / approvals</b>		
EMC	DIN EN 61000-6-2 DIN EN 61000-6-3	
Shock resistance	DIN IEC 68-2-27: 50 g (11 ms)	
Vibration resistance	DIN IEC 68-2-6: 10 g (10...2000 Hz)	
MTTF [Years]	232	
<b>Mechanical data</b>		
Process connection	1.5" clamp (ISO 2852)	
Materials (wetted parts)	stainless steel 316L / 1.4404; surface characteristics Ra: < 0.6	
Probe diameter [mm]	6	
Installation length EL [mm]	150	
Housing materials	stainless steel 316L / 1.4404; PEI; FKM	
Weight [kg]	0.325	
<b>Electrical connection</b>		
Connection	M12 connector	
<b>Wiring</b>		
		
<b>Remarks</b>		
Remarks	MS = set measuring span	
Pack quantity [piece]	1	