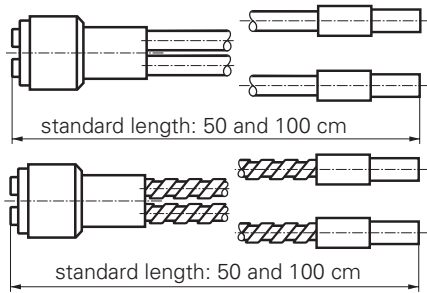


# Through beam types

# A-Type



Fiber optics available with plastic or metal sheaths. The through beam types come in standard lengths of 50 and 100 cm with randomly assembled fibers. Other lengths on request.

**Adapter and cap nut must be ordered separately when used with series 30**

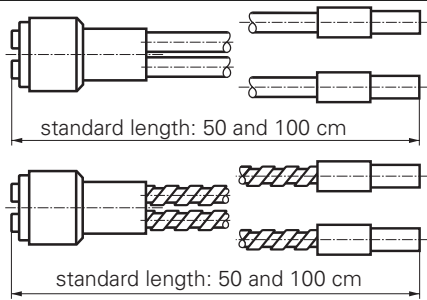
Fiber diameter 2 x 1 mm <sup>2</sup>	
Sheath material: PVC ø 2,5 mm	Part number
	<b>FSE 050A2002</b> (length 50 cm)
	<b>FSE 100A2002</b> (length 100 cm)
	<b>FSE 050A2001</b> (length 50 cm)
	<b>FSE 100A2001</b> (length 100 cm)
	<b>FSE 050A1001</b> (length 50 cm)
	<b>FSE 100A1001</b> (length 100 cm)
	<b>FSE 050A4003</b> (length 50 cm)
	<b>FSE 100A4003</b> (length 100 cm)
Fiber diameter 2 x 1 mm <sup>2</sup>	
Sheath material: brass chromium plated ø 4 mm	Part number
<p>* can not be bent</p>	<b>FSF 050A2004</b> (length 50 cm)
	<b>FSF 100A2004</b> (length 100 cm)
<p>* can not be bent</p>	<b>FSF 050A2005</b> (length 50 cm)
	<b>FSF 100A2005</b> (length 100 cm)
<p>* can not be bent</p>	<b>FSF 050A1005</b> (length 50 cm)
	<b>FSF 100A1005</b> (length 100 cm)
	<b>FSF 050A4003</b> (length 50 cm)
	<b>FSF 100A4003</b> (length 100 cm)

Series 18 20-turn pot.	Series 18 side mounted pot./teach-in	Series 30	Series 30 extended Tw

S <sub>b</sub> = actual range				
90 mm	270 mm	200 mm	450 mm	
90 mm	250 mm	190 mm	500 mm	
90 mm	270 mm	200 mm	450 mm	
90 mm	250 mm	190 mm	500 mm	
90 mm	270 mm	200 mm	450 mm	
90 mm	250 mm	190 mm	500 mm	

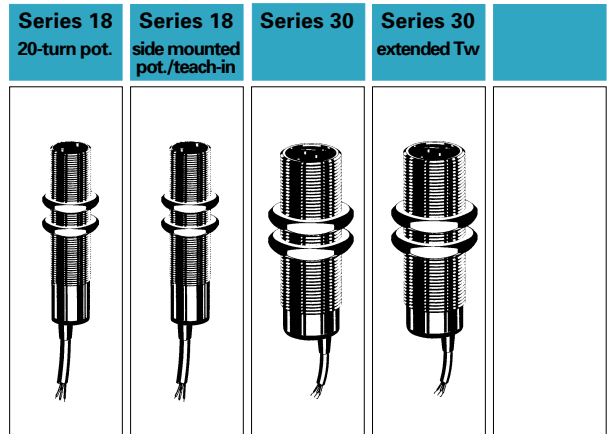
S <sub>b</sub> = actual range				
90 mm	270 mm	200 mm	450 mm	
90 mm	250 mm	190 mm	500 mm	
90 mm	270 mm	200 mm	450 mm	
90 mm	250 mm	190 mm	500 mm	
90 mm	270 mm	200 mm	450 mm	
90 mm	250 mm	190 mm	500 mm	

# Through beam types



Fiber optics available with plastic or metal sheaths. The through beam types come in standard lengths of 50 and 100 cm with randomly assembled fibers. Other lengths on request.

**Adapter and cap nut must be ordered separately when used with series 30**



Fiber diameter 2 x 2 mm <sup>2</sup>	Part number
Sheath material: PUR ø 4,5 mm	Part number
	<b>FSE 050A2006</b> (length 50 cm)
	<b>FSE 100A2006</b> (length 100 cm)
	<b>FSE 050A1006</b> (length 50 cm)
	<b>FSE 100A1006</b> (length 100 cm)
	<b>FSE 050A4006</b> (length 50 cm)
	<b>FSE 100A4006</b> (length 100 cm)

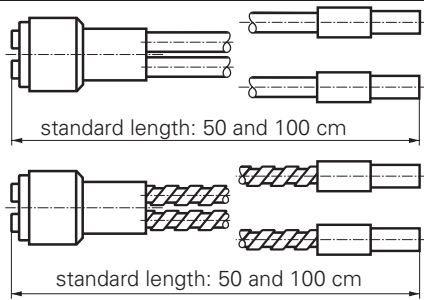
Sb = actual range				
180 mm	450 mm	380 mm	450 mm	
170 mm	500 mm	370 mm	860 mm	
180 mm	450 mm	380 mm	450 mm	
170 mm	500 mm	370 mm	860 mm	
180 mm	450 mm	380 mm	450 mm	
170 mm	500 mm	370 mm	860 mm	

Fiber diameter 2 x 2 mm <sup>2</sup>	Part number
Sheath material: brass chromium plated ø 5 mm	Part number
	<b>FSF 050A2002</b> (length 50 cm)
	<b>FSF 100A2002</b> (length 100 cm)
	<b>FSF 050A1002</b> (length 50 cm)
	<b>FSF 100A1002</b> (length 100 cm)
	<b>FSF 050A4002</b> (length 50 cm)
	<b>FSF 100A4002</b> (length 100 cm)

Sb = actual range				
180 mm	450 mm	380 mm	450 mm	
170 mm	500 mm	370 mm	860 mm	
180 mm	450 mm	380 mm	450 mm	
170 mm	500 mm	370 mm	860 mm	
180 mm	450 mm	380 mm	450 mm	
170 mm	500 mm	370 mm	860 mm	

# Through beam types

# A-Type

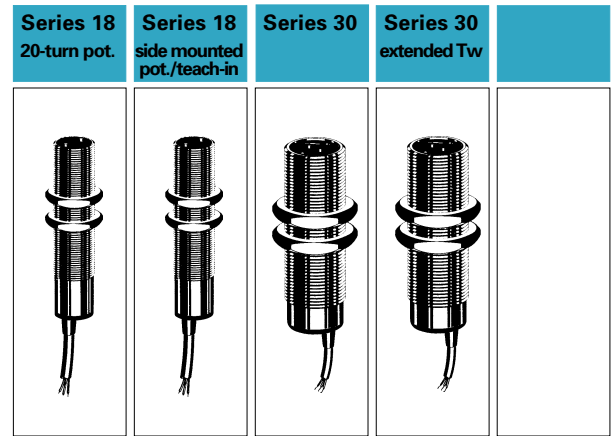


Fiber optics available with plastic or metal sheaths. The through beam types come in standard lengths of 50 and 100 cm with randomly assembled fibers. Other lengths on request.

**Adapter and cap nut must be ordered separately when used with series 30**

Fiber diameter 2 x 4 mm <sup>2</sup>	
Sheath material: PVC ø 4 mm	Part number
	<b>FSE 050A2003</b> (length 50 cm)
	<b>FSE 100A2003</b> (length 100 cm)
	<b>FSE 050A1003</b> (length 50 cm)
	<b>FSE 100A1003</b> (length 100 cm)
	<b>FSE 050A4004</b> (length 50 cm)
	<b>FSE 100A4004</b> (length 100 cm)

Fiber diameter 2 x 4 mm <sup>2</sup>	
Sheath material: brass chromium plated ø 5 mm	Part number
	<b>FSF 050A2001</b> (length 50 cm)
	<b>FSF 100A2001</b> (length 100 cm)
	<b>FSF 050A1001</b> (length 50 cm)
	<b>FSF 100A1001</b> (length 100 cm)
	<b>FSF 050A4004</b> (length 50 cm)
	<b>FSF 100A4004</b> (length 100 cm)



S <sub>b</sub> = actual range				
310 mm	500 mm	500 mm	500 mm	
300 mm	800 mm	600 mm	1,4 m	
310 mm	500 mm	500 mm	500 mm	
300 mm	800 mm	600 mm	1,4 m	
310 mm	500 mm	500 mm	500 mm	
300 mm	800 mm	600 mm	1,4 m	

S <sub>b</sub> = actual range				
310 mm	500 mm	500 mm	500 mm	
300 mm	800 mm	600 mm	1,4 m	
310 mm	500 mm	500 mm	500 mm	
300 mm	800 mm	600 mm	1,4 m	
310 mm	500 mm	500 mm	500 mm	
300 mm	800 mm	600 mm	1,4 m	