

TE Circuit Protection 3mm 2Pole SMD type GDTs (ceramic gas discharge tubes), are commonly used to help protect sensitive telecom equipment such as communication lines, signal lines and data transmission lines from damage caused by transient surge voltages that typically result from lightning strikes and equipment switching operations.

TE Circuit Protection 3mm SMD type GDTs offer excellent surge protection characteristics, low capacitance and a broad array of breakover voltage levels, making them suitable for applications such as high data-rate telecom communication network protection (e.g. ADSL, VDSL).



Benefits:

- Compact, small form factor suitable for efficient assembly
- Suitable for high-frequency applications

Features:

- 2Poles, 3mm devices
- Broad voltage range from 75V-400V
- Form factor: surface mount
- Low capacitance and insertion loss
- Referring to ITUT K.20 and ITUT K.21
- UL 497B recognized
- RoHS compliant
- Devices tested per ITU K.12 recommendations
- Non-radioactive materials

Applications:

- Telecommunications, RF system protection, CATV Modem, Hub protection, Security Systems, Data acquisition

GTCS23-XXXM-R01-2 Series

Device Voltage Ratings

| Part Number | DC Sparkover | Impulse Sparkover Voltage |
|--------------------|-------------------------------|---------------------------|
| | @100V/s ±20% Tolerance (V) | @1000 V/μs (V) |
| GTCS23-750M-R01-2* | 75 | 600 |
| GTCS23-900M-R01-2 | 90 | 600 |
| GTCS23-141M-R01-2 | 140 | 600 |
| GTCS23-151M-R01-2 | 150 | 600 |
| GTCS23-201M-R01-2 | 200 | 700 |
| GTCS23-231M-R01-2 | 230 | 700 |
| GTCS23-301M-R01-2 | 300 | 900 |
| GTCS23-351M-R01-2 | 350 | 1000 |
| GTCS23-401M-R01-2 | 400 | 1000 |

*DCSO 60-105

Part Marking : Not Applicable

Device Surge Rating, Capacitance, Insulation Resistance, UL

| Part Number | Insulation Resistance | Capacitance | Impulse Discharge Current 8/20μs | | Impulse Withstanding Voltage 10/700μs | UL Rating |
|-------------------|-----------------------|-------------|-------------------------------------|----------------------------------|---------------------------------------|-----------------|
| | @100V _{DC} * | @1Mhz | 10 hits (5hits each polarity) | 300 hits (150hits each polarity) | 10 hits (5 times each polarity) | UL497B #E179610 |
| GTCS23-xxxM-R01-2 | ≥ 1,000 (MΩ) | <0.5pF | 1kA | 100A | 4kV | All Devices |

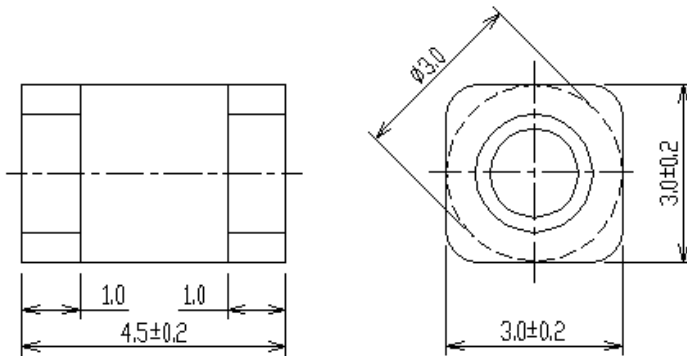
* Devices <=150V measured @ 50Vdc

GTCS23-XXXM-R01-2 Series

Product Dimensions

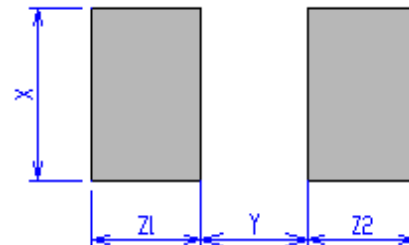
DIMENSIONS = MILLIMETERS [INCHES]

Surface-mount (GTCS23-XXXM-R01-2)



Pad Layout – Surface-mount Devices (GTCS23-XXXM-R01-2)

| | X | Y | Z1 | Z2 |
|------|---------|---------|---------|---------|
| | NOM | NOM | NOM | Nom |
| mm: | 3.0 | 2.0 | 2.0 | 2.0 |
| in*: | (0.118) | (0.079) | (0.079) | (0.079) |



General Characteristics

No Radioactive Material

Storage Temperature: -40°C to +90°C

Operating Temperature: -40°C to +90°C

Electrode: Tin Plated

Materials Information

ROHS Compliant

Directive 2002/95/EC
Compliant

ELV Compliant

Directive 2000/53/EC
Compliant

Pb-Free



Halogen Free*



GTCS23-XXXM-R01-2 Series

Packaging Information

| Part Description | Reel | Standard Package |
|----------------------------------|-----------------|------------------|
| Surface-mount: GTCS23-XXXM-R01-2 | 2,000pcs (Reel) | 16,000pcs |

Part Numbering System

Example Part Number: GTCS23-351M-R01-2

- GT = Gas Tube
- C = Ceramic
- S = Lead Configuration: **S**= Surface-mount
- 2 = 2 Electrode device
- 3 = 3mm Diameter
- 351 = DC Spark Over Voltage of 350V (at 100V/s)
- M = Tolerance of 20% on DC Spark Over Voltage
- R = Product Family Designator
- 01 = Surge rating: 8x20µs 1kA 10 times
- 2 = Tape and Reel Packaging