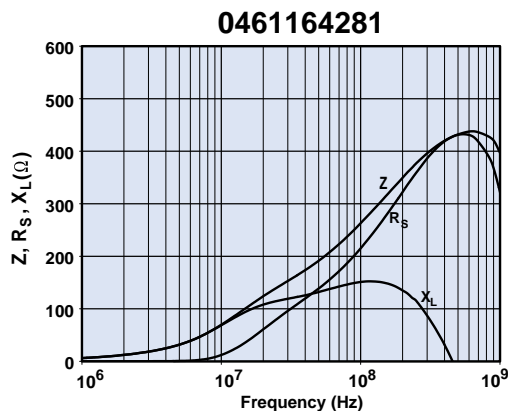


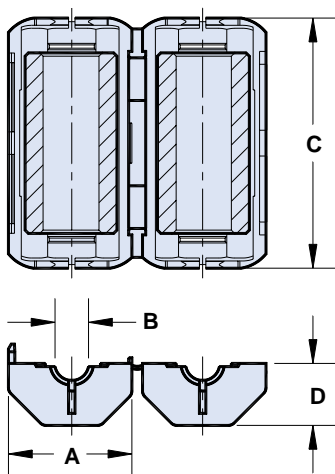
# News from Fair-Rite...

## High Frequency Split Round Cable Suppressor Cores

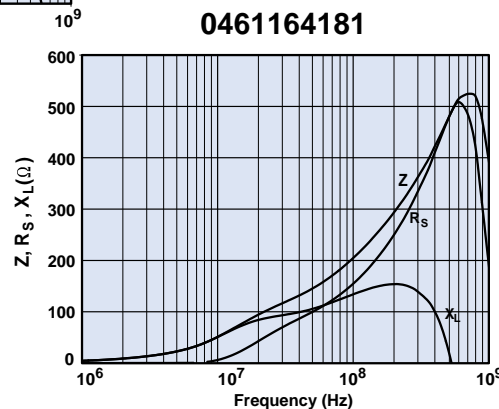
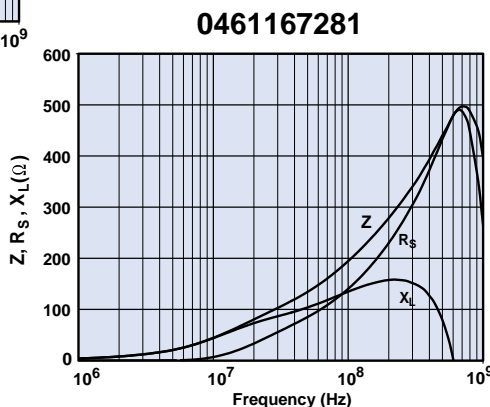
Now available in 61material for attenuating frequencies of 250 MHz and above.



Available in sizes to fit a range of cable diameters and installed around a cable, these cores provide common-mode filtering for multi-strand cables and differential mode filtering for single conductors.



Polypropylene Cases having a flammability rating of UL94-V0 makes assembling the core halves a snap.



Dimensions (Bold numbers are in millimeters, light numbers are nominal in inches.)

Part Number	Cable Diameter	A	B*	C	D	Impedance $\Omega$ **		
						100MHz	250MHz	500MHz
<b>0461164281</b>	<b>7.0 Max</b> .275 Max	<b>20.0</b> .788	<b>6.6</b> .260	<b>39.4</b> 1.55	<b>9.78</b> .385	<b>270</b>	<b>395</b>	<b>430</b>
<b>0461167281</b>	<b>10.5 Max</b> .410 Max	<b>23.7</b> .933	<b>10.2</b> .400	<b>39.4</b> 1.55	<b>11.7</b> .461	<b>195</b>	<b>315</b>	<b>455</b>
<b>0461164181</b>	<b>13.3 Max</b> .525 Max	<b>31.0</b> 1.220	<b>13.0</b> .512	<b>39.4</b> 1.55	<b>15.25</b> .600	<b>205</b>	<b>335</b>	<b>475</b>

\* B Dimension is the core dimension

\*\* Typical Value. Z min is Z typ -20%