



Products for tomorrow

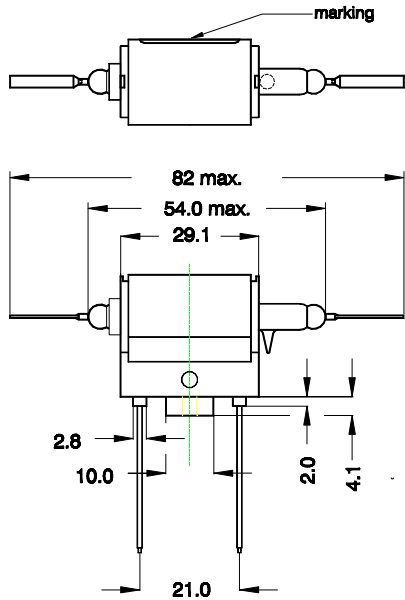
Headquarter Europe
 MEDER electronic AG
 Friedrich-List Strasse 6
 D-78234 Engen-Welschingen
 Tel.: +49(0)7733-9487-0
 Fax: +49(0)7733-9487-32
 eMail: info@meder.com
 Internet: www.meder.com

Headquarter USA
 MEDER electronic Inc.
 766 Falmouth Rd
 Mashpee, MA 02649
 Phone: +1/ 508-539-0002
 Fax: +1/ 508-539-4088
 eMail: salesusa@meder.com

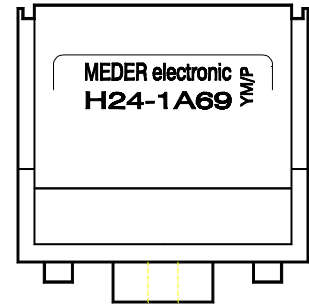
Reed Relay: H24 – 1A69

Part Number: 1924169114

Dimensions (mm)



Marking



MEDER-Label
 Type
 Production-
 Code-
 EN60062
 /Factory Code

Coil/Relay Characteristics	Conditions at 20°C	Min.	Typ.	Max.	Units
Coil Resistance		630	700	770	Ω
Nominal Voltage			24,0		VDC
Nominal Rated Power			822		mW
Operate Voltage				16,8	VDC
Release Voltage		3,6			VDC

Contact Data 69 (Form A/Dry)					
Contact Rating	Any combination of the switching voltage and current must not exceed the given rated power			50	W
Switching Voltage	DC or Peak AC			10000	V
Switching Current	DC or Peak AC			3,0	A
Carry Current	DC or Peak AC			5,0	A
Static Contact Resistance (initial)	Measured with Nominal Voltage			150	mΩ
Insulation Resistance	RH 45%	10 ¹⁰			Ω
Breakdown Voltage		15000			VDC
Operate Time, including Bounce	Measured with Nominal Voltage			3,0	ms
Release Time	Measured with no coil suppression			1,5	ms
Capacitance			0,8		pF

Environmental Data					
Insulation Resistance Coil to Contact	RH 45%	10 ¹²			Ω
Dielectric Strength Coil to Contact		15			kV DC
Shock	½ sine wave, duration 11ms			50	g
Vibration	from 10 - 2000 Hz			20	g
Operating Temperature	10°C/min max. allowable	-20		70	°C
Storage Temperature	10°C/min max. allowable	-25		85	°C
Material of Case	Glass fibre reinforced PBT self-extinguishing, self-extinguishing V-0 according to UL94				
Remarks					