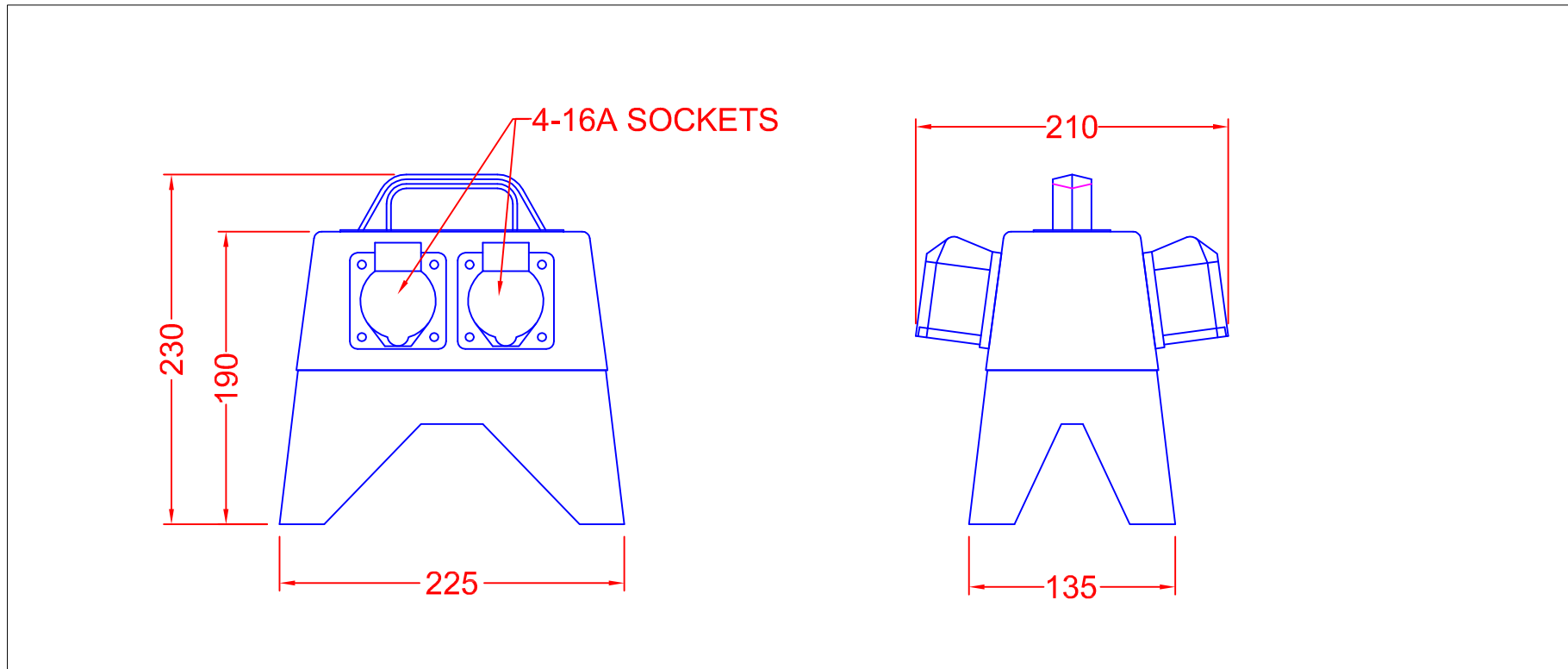


TOLERANCES (UNLESS SPECIFIED)	
0-10mm	±0.2mm
10.1-50mm	±0.5mm
50.1-250mm	±1.0mm
>250mm	±2.0mm



SPLITTER BOX
 VOLTAGE 55-0-55V
 INPUT PLUG 16A BS EN 60309
 OUTPUT SOCKETS 4x16A BS EN 60309
 RATED IP44
 ENCLOSURE GRP
 RATED IP55
 COLOUR YELLOW

REV	
4	
3	
2	
1	

CARROLL & MEYNELL
 TRANSFORMERS LIMITED
 TEL: 01642 617406 FAX: 01642 614178
 enquiries@carroll-meynell.com

TITLE
SPLITTER BOX
EOU4x16/GRP
 ALL DIMENSIONS IN mm

DRAWN	PROJECTION	DATE	SCALE
SH		26/4/8	NTS
DRAW No	REV	PAGE	
6110	0	1/1	