



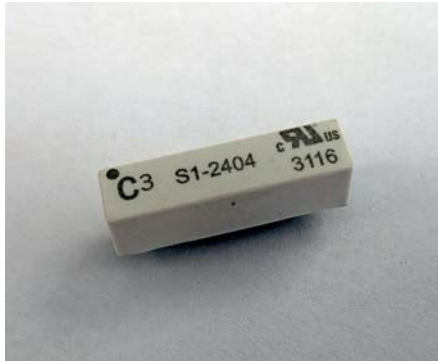
RS stock numbers : 205-6910, 338-9794, 338-9801,
338-9817, 869-7609



S1 Relay Series

UL Approved* Miniature High Voltage Relay

- Single-in-line package
- 4kV Isolation Voltage across contacts
- Isolation Voltage 5kV contact to coil
- 2.5A carry current
- Up to 350V switching voltage



Actual device may differ

The S1 series is a miniature high voltage single-in-line reed relay for applications where space saving is a prime consideration.

The coil pins are positioned near the centre of the relay while the contact pins are near the ends to give improved isolation between the high voltage contacts and the low voltage coil.

Please refer to this document for circuit design notes:-
<http://www.cynergy3.com/blog/application-notes-reed-relays-0>

Custom versions can be designed for particular applications. Please contact Cynergy3 with your requirements.

Contact Specification Conditions

Switch action		SPST (Form A)
Material		Rhodium
Isolation across contacts	kV DC or AC peak	4
Switching Power Max.	VA	100
Switching Voltage Max.	V	350dc/300ac
Switching Current Max.	A DC or AC peak	1.0
Carry Current Max	A DC	2.5
Capacitance across contacts	pF coil to screen grounded	0.5 (typical)
Lifetime operations	dry switching	10 ⁹
Contact Resistance	mΩ max	100
Insulation Resistance	Ωmin (typical)	10 ¹⁰ (10 ¹³)

Coil Specification (@ 20°C)

		5V coil	12V coil	24V coil
Must Operate Voltage	V DC	4	10.8	16
Must Release Voltage	V DC	1.25	1.25	1.25
Operate Time	ms diode fitted	1	1	1 (TBC)
Release Time	ms diode fitted	0.5	0.5	0.5 (TBC)
Resistance	Ω (± 10%)	180	500	1000

Relay Specification

Isolation contact/coil	kV DC	5
Insulation resistance contact to all terminals	Ωmin (typical)	TBC

Environmental

Operating Temp range	°C	-40 to +85
Storage Temp range	°C	-40 to +100

RS Stock No	Standard Part	Coil Voltage (Vdc)	Diode Fitted	Screened
1245114	S1-0504/RS	5	x	x
1245115	S1-1204/RS	12	x	x
1245116	S1-2404/RS	24	x	x
1245117	S1-0504D/RS	5	✓	x
1245118	S1-1204D/RS	12	✓	x
1245119	S1-2404D/RS	24	✓	x
1245120	S1-0504M/RS	5	x	✓
1245121	S1-1204M/RS	12	x	✓
1245122	S1-2404M/RS	24	x	✓
1245123	S1-0504DM/RS	5	✓	✓
1245124	S1-1204DM/RS	12	✓	✓
1245125	S1-2404DM/RS	24	✓	✓

*Consult factory for UL ratings

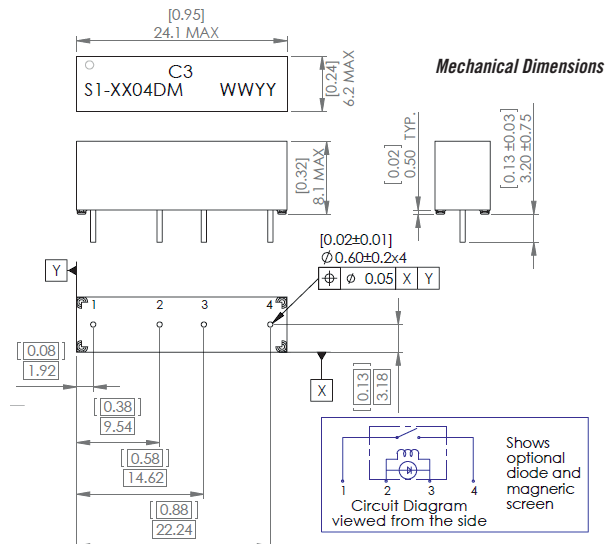


Made in the UK

Cynergy3 Components Ltd.
7 Cobham Road
Ferndown Industrial Estate
Wimborne, Dorset BH21 7PE
Telephone +44 (0) 1202 897969
Email: sales@cynergy3.com

ISO9001 CERTIFIED

S1 RS Series 2016



www.cynergy3.com