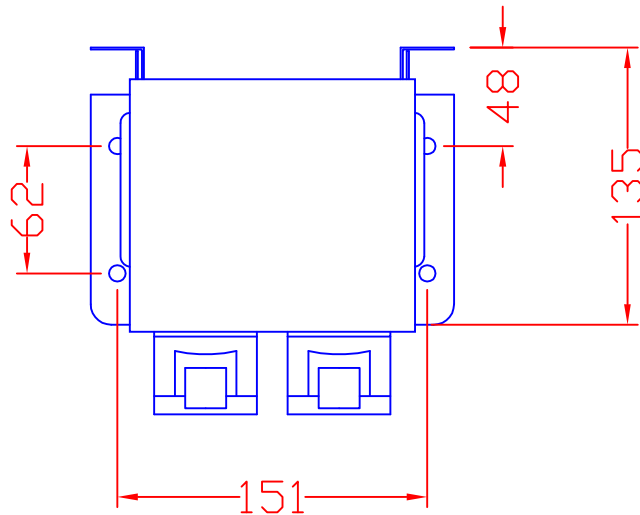
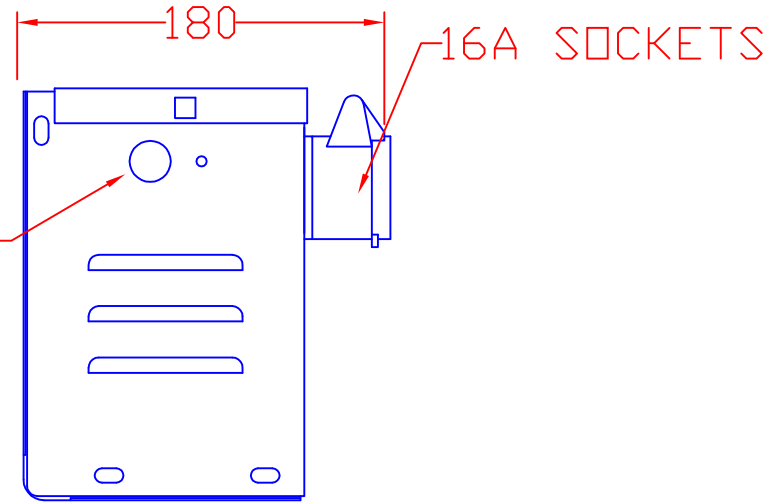


200 LEAD ACCESS



LOW VOLTAGE TRANSFORMER
 TYPE: SAFTEY ISOLATION
 INPUT: 240V 50Hz
 OUTPUT: 24V
 RATING: 200VA CONTINUOUS
 OUTPUT SOCKET: 2x3PIN 16A BS4343
 RATED IP44
 ENCLOSURE: MILD STEEL
 RATED IP22
 COLOUR: RAL 7032 (BEIGE)

| | | |
|-----|---|--|
| REV | 4 | |
| | 3 | |
| | 2 | |
| | 1 | |

CARROLL & MEYNELL LTD
 ELECTRICAL ENGINEERS
 TEL 01642 617406
 FAX 01642 614178

TITLE
 ILT200-2
 RS 310-2193

| | | | |
|-----------------|----------|------|-------|
| DRAWN SH | APPROVED | DATE | SCALE |
| DRAW No 3273 | REV | PAGE | |