

# SPECIFICATION

## OF PRODUCTS

CUSTOMER : RS Components

PRODUCT NAME: CERAMIC RESONATOR

PART NUMBER : 117-ZTTCS10.00MTF-W

Approved by	Checked by	Drawn by

### **Interquip Electronics Co Ltd.**

Flat A, 9/F, On Shing Industrial Building,  
2-16 Wo Liu Hang Road,  
Fotan, N.T, Hong Kong  
Tel: (852) 24135515      Fax: (852) 24137053  
Email: [iql@interquip.com](mailto:iql@interquip.com)

<b>Part Number Sheet</b>	
<b>Customer</b>	
<b>Supplier P/N</b>	117-ZTTCS10.00MTF-W
<b>Customer P/N</b>	

<b>Customer's Approval Certificate</b>	
<b>Checked &amp; Approval by</b>	
<b>Date</b>	

Mark Of Modification	Reason Of Modification	Modification	Drawn	Checked	Approval	Date

**Please return this copy after signing as a certification of your approval.**

# INTERQUIP ELECTRONICS CO., LTD

---

## 1. SCOPE

This specification shall cover the characteristics of the ceramic resonator with the type 117-ZTTCS10.00MTF-W.

## 2. PART NO.

PART NUMBER
117- ZTTCS10.00MTF-W
CUSTOMER PART NO

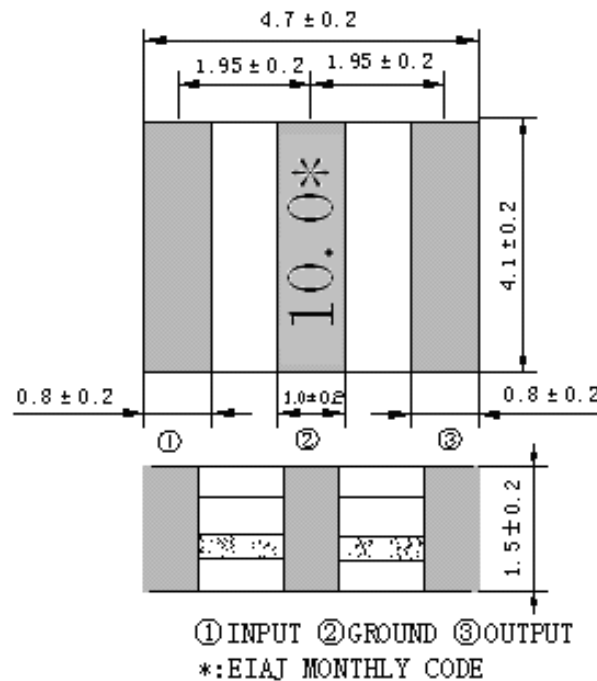
## 3. OUTLINE DIMENSIONS AND MARK

3.1 Appearance: No visible damage and dirt.

3.2 Construction: SMD ceramic packaging.

3.3 The products conform to the RoHS directive and national environment protection law.

### 3.4 Dimensions and mark



# INTERQUIP ELECTRONICS CO., LTD

## 4. ELECTRICAL SPECIFICATIONS

### 4.1 RATING

Items	Requirement
Withstanding Voltage (V)	50 (DC, 1min)
Insulation Resistance $R_i$ , ( $M\Omega$ ) min.	500 (10V, 1min)
Operating temperature	-25°C ~ 85°C
Storage temperature	-55°C ~ 85°C
Rating Voltage $U_R$ (V)	6V DC
	15V p-p

### 4.2 ELECTRICAL SPECIFICATIONS

Items	Requirement
Oscillation Frequency $F_{osc}$ (MHz)	10.000
Frequency Accuracy (%)	$\pm 0.5$
Resonant Impedance $R_o$ ( $\Omega$ ) max.	30
Temperature Coefficient of Oscillation Frequency (%) max.	$\pm 0.3$ (Oscillation Frequency drift, -25°C ~ +85°C)
Oscillation Frequency Aging Rate (%) max *	$\pm 0.3$ (From initial value)

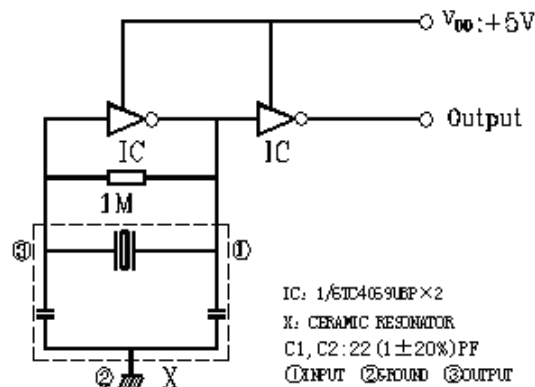
\* Components shall be left in a chamber of  $+85 \pm 2^\circ\text{C}$  for 1000 hours, then measured after leaving in natural condition for 1 hour.

## 5. TEST

### 5.1 Test Conditions

Parts shall be tested under the condition (Temp.:  $20 \pm 15^\circ\text{C}$ , Humidity :  $65 \pm 20\%$  R.H.) unless the standard condition (Temp.:  $25 \pm 2^\circ\text{C}$ , Humidity :  $65 \pm 5\%$  R.H.) is regulated to measure.

### 5.2 Test Circuit



# INTERQUIP ELECTRONICS CO., LTD

## 6 PHYSICAL AND ENVIRONMENTAL CHARACTERISTICS

No	Item	Condition of Test	Performance Requirements	
6.1	Humidity	Keep the resonator at $40^{\circ}\text{C}\pm 2^{\circ}\text{C}$ and 90%-95% RH for 96h. Then Release the resonator into the room Condition for 1h prior to the Measurement.	It shall fulfill the specifications in Table 1.	
6.2	High Temperature Exposure	Subject the resonator to $85^{\circ}\text{C}\pm 2^{\circ}\text{C}$ for 96h, then release the resonator into the room conditions for 1h prior to the measurement.	It shall fulfill the specifications in Table 1.	
6.3	Low Temperature Exposure	Subject the resonator to $-25^{\circ}\text{C}\pm 2^{\circ}\text{C}$ for 96h, then release the resonator into the room conditions for 1h prior to the measurement.	It shall fulfill the specifications in Table 1.	
6.4	Temperature Cycling	After temperature cycling of blow table was performed 5 times, resonator shall be measured after being placed in natural conditions for 1h.	It shall fulfill the specifications in Table 1.	
		Temperature		Time
		$-25\pm 3^{\circ}\text{C}$		$30\pm 3\text{ min}$
		$85\pm 3^{\circ}\text{C}$	$30\pm 3\text{ min}$	
6.5	Vibration	Subject the resonator to vibration for 2h each in x、 y and z axis With the amplitude of 1.5mm, the frequency shall be varied uniformly between the limits of 10 Hz—55Hz.	It shall fulfill the specifications in Table 1.	
6.6	Mechanical Shock	Drop the resonator randomly onto a wooden floor from the height of 100cm 3 times.	It shall fulfill the specifications in Table 1.	
6.7	Soldering Test	Passed through the re-flow oven under the following condition and left at room temperature for 1h before measurement.	It shall fulfill the specifications in Table 1.	

(To be continued)

# INTERQUIP ELECTRONICS CO., LTD

## 6 PHYSICAL AND ENVIRONMENTAL CHARACTERISTICS

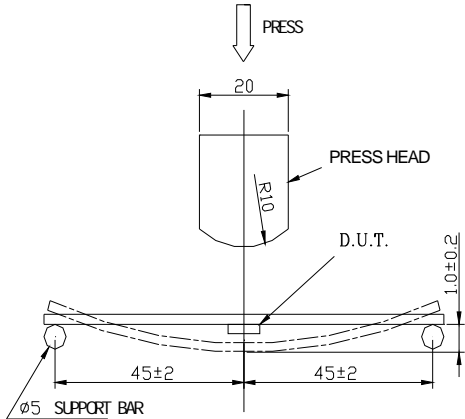
No	Item	Condition of Test	Performance Requirements
6.8	Solder Ability	Dipped in $245\text{ }^{\circ}\text{C} \pm 5\text{ }^{\circ}\text{C}$ solder bath for $3\text{s} \pm 0.5\text{ s}$ with rosin flux (25wt% ethanol solution.)	The terminals shall be at least 95% covered by solder.
6.9	Board Bending	<p>Mount a glass-epoxy board (Width=40mm,thickness=1.6mm),then bend it to 1mm displacement and keep it for 5s. (See the following figure)</p> 	Mechanical damage such as breaks shall not occur.

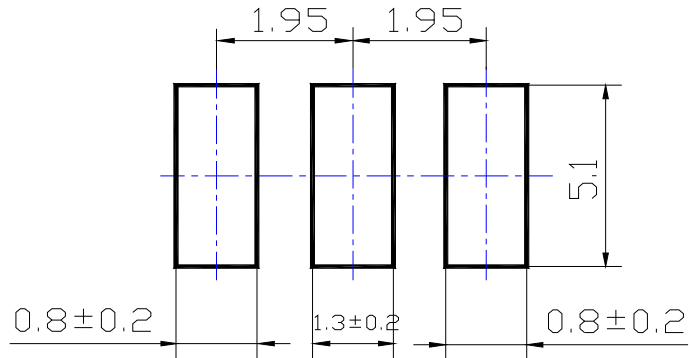
Table 1

Item	Specification after test
Oscillation Frequency Change $\Delta f_{osc}/f_{osc}$ (%) max.	$\pm 0.3$
Resonant Impedance $R_o$ ( $\Omega$ ) max.	35
The limits in the above table are referenced to the initial measurements.	

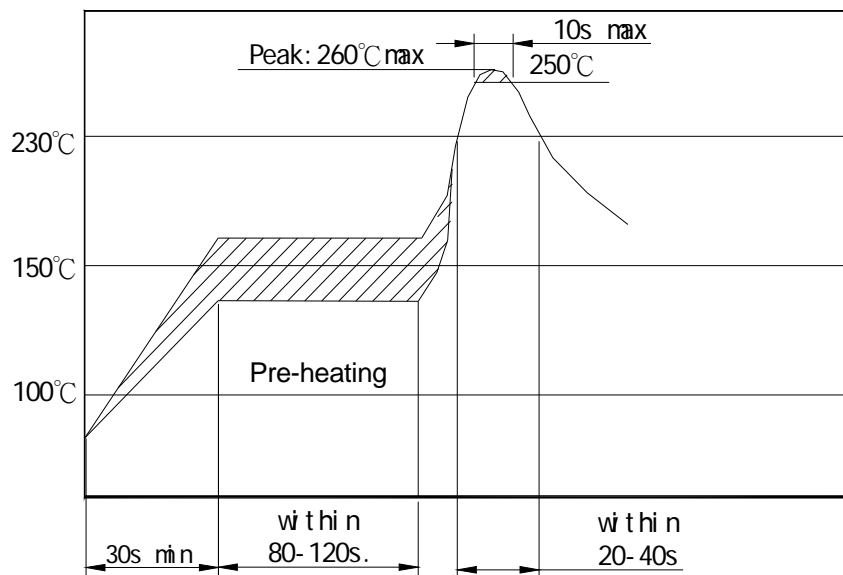
# INTERQUIP ELECTRONICS CO., LTD

## 7 RECOMMENDED LAND PATTERN AND REFLOW SOLDERING STANDARD CONDITIONS

### 7.1 Recommended land pattern



### 7.2 Recommended reflow soldering standard conditions



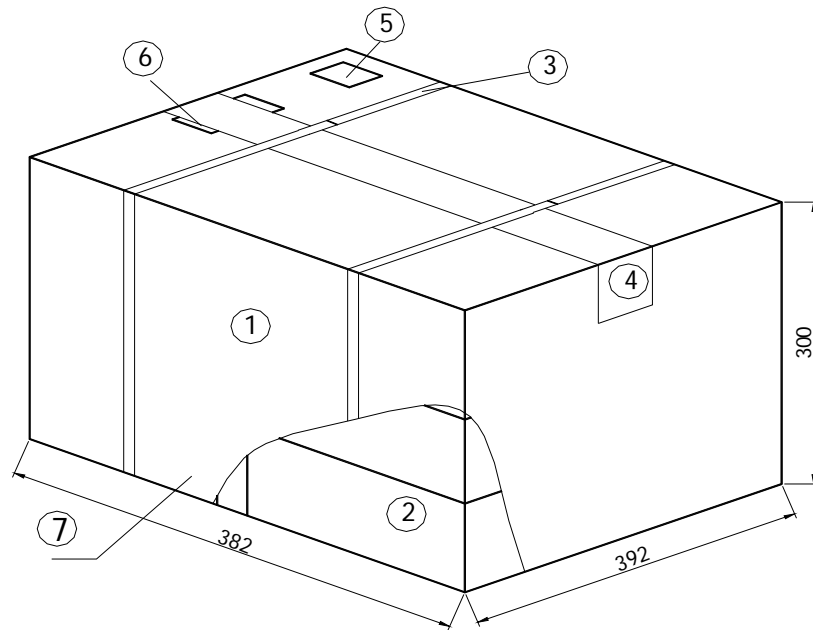
# INTERQUIP ELECTRONICS CO., LTD

## 8. PACKAGE

To protect the products in storage and transportation, it is necessary to pack them (outer and inner package) .

8.1 On paper pack, the following requirements are requested.

8.1.1 Dimensions and Mark



NO.	Name	Quantity
①	Package	1
②	Inner Box	12
③	Belt	2.9 m
④	Adhesive tape	1.2 m
⑤	Label	1
⑥	Certificate of approval	1
⑦	Company name ,Address etc.	



# INTERQUIP ELECTRONICS CO., LTD

---

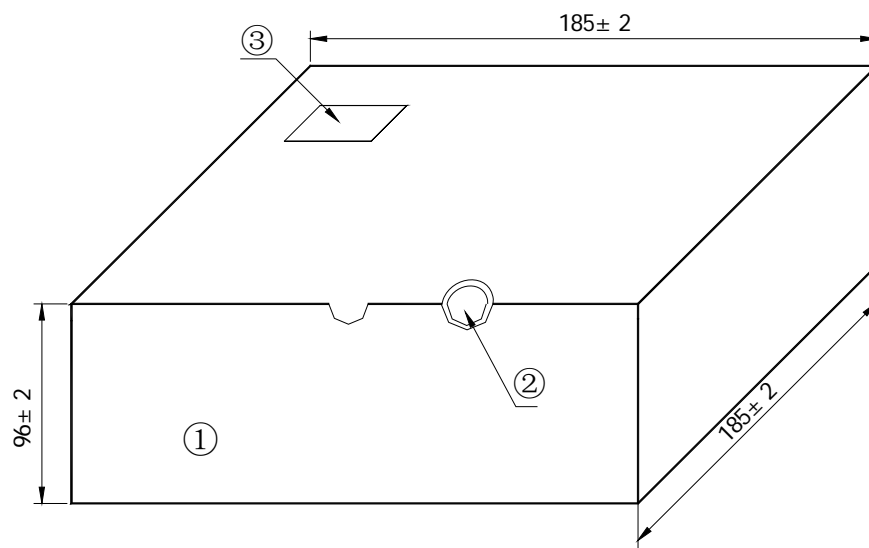
## 8.1.2 Section of package

Package is made of corrugated paper with thickness of 0.8cm. Package has 12 inner boxes, each box has 5 reels(each reel for plastic bag)

## 8.1.3 Quantity of package

Per plastic reel	1000 pieces of piezoelectric ceramic part
Per inner box	5 reels
Per package	12 inner boxes
( 60000 pieces of piezoelectric ceramic part )	

## 8.1.4 Inner Box Dimensions

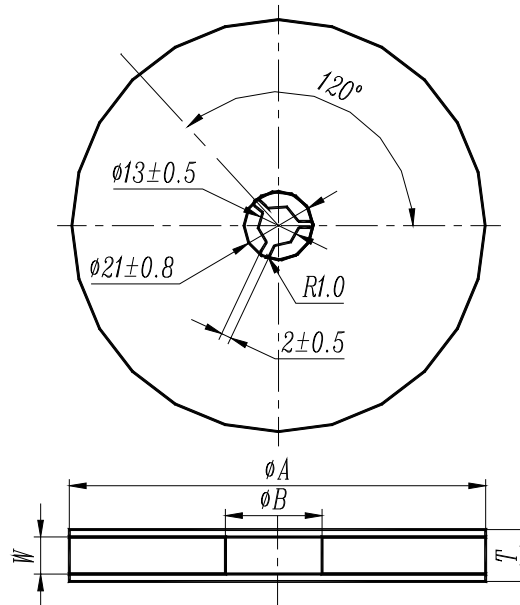


NO.	Name	Quantity
①	Inner Box	1
②	QC Label	1
③	Label	1

# INTERQUIP ELECTRONICS CO., LTD

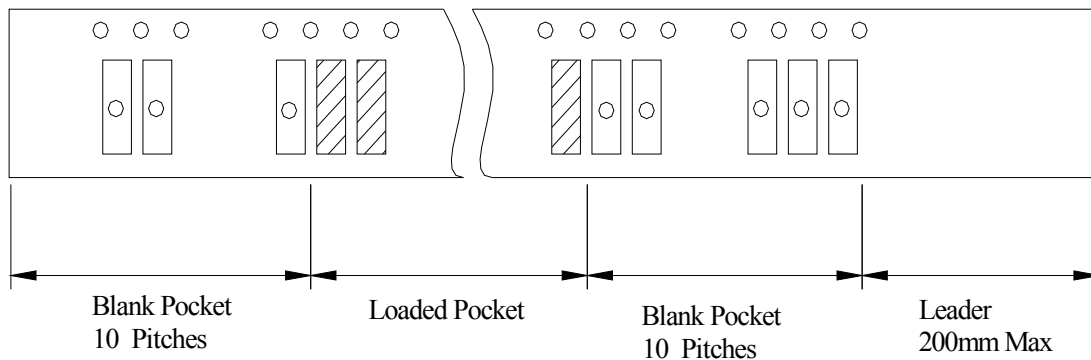
8.2 On reel pack, the following requirements are requested.

## 8.2.1 Reel Dimensions

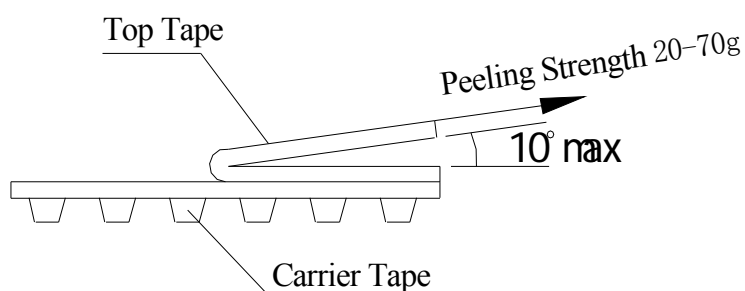


$\phi A$	$\phi B$	W	T	Pieces per reel	Carrier tape size
$180 \pm 3$	60min	12.4min	19.4max	1000typ.	12

## 8.2.3 Packing Method Sketch Map



## 8.2.4 Test Condition Of Peeling Strength



## INTERQUIP ELECTRONICS CO., LTD

---

### 9. EIAJ Monthly Code

2005 / 2007 / 2009		2006 / 2008 / 2010	
MONTH	CODE	MONTH	CODE
JAN	A	JAN	N
FEB	B	FEB	P
MAR	C	MAR	Q
APR	D	APR	R
MAY	E	MAY	S
JUN	F	JUN	T
JUL	G	JUL	U
AUG	H	AUG	V
SEP	J	SEP	W
OCT	K	OCT	X
NOV	L	NOV	Y
DEC	M	DEC	Z

### 10. OTHER

#### 10.1 Caution

10.1.1 Don't apply excess mechanical stress to the component and terminals at soldering. Do not use this product with bend.

10.1.2 Do not clean or wash the component for it is not hermetically sealed.

10.1.3 Do not use strong acidity flux, more than 0.2wt% chlorine content, in flow soldering.

10.1.4 Don't be close to fire.

10.1.5 This specification mentions the quality of the component as a single unit. Please insure the component is thoroughly evaluated in your application circuit

10.1.6 Expire date (Shelf life) of the products is 12 months after delivery under the conditions of a sealed and an unopened package. Please use the products within 12 months after delivery. If you store the products for a long time (more than 12 months), use carefully because the products may be degraded in the solderability or rusty. Please confirm solderability and characteristics for the products regularly.

10.1.7 Please contact us before using the product as automobile electronic component.

#### 10.2 Notice

10.2.1 Please return one of these specifications after your signature of acceptance.

10.2.2 When something gets doubtful with this specification, we shall jointly work to get an agreement