

Power supply – 19" AC/DC switch-mode PSUs

maxpower 100 W, single



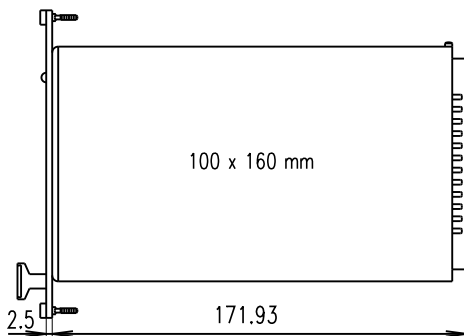
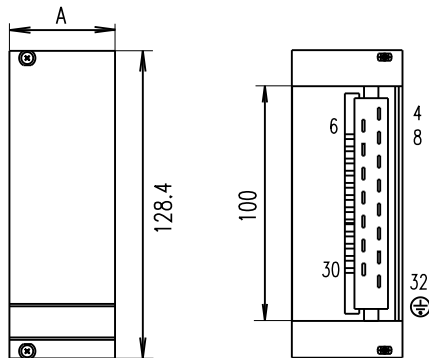
- Wide input voltage range 90 ... 254 V_{AC} and 100 ... 360 V_{DC} with active power factor correction (PFC)
- High power density
- Single output voltage
- Integrated decoupling diode for redundancy operation
- Active current share bus (CSB)
- Signalling: Output voltage OK



Delivery comprises

Qty	Description
1	19" compatible power supply height 3 U width A: 6 HP depth 171.93 mm (160 mm board depth) connector H 15 M coding strip (fitted)

11399005



Order Information

Voltage V	Current A	Power W	Description	Part no.
5	16	80	MAX 105	13100-102
12	8.3	100	MAX 112	13100-103
15	6.6	99	MAX 115	13100-104
24	4.2	101	MAX 124	13100-105

Front panel 6 HP, Al, front anodised, rear iridescent green chromated, with vertical grooves for EMC gaskets, incl. assembly kit, 1 piece **21006-943**

EMC gaskets (stainless steel) 3 U, 97 mm, stainless steel, two pieces necessary per front panel, PU 10 pieces **21101-705**

Connector H 15 F Mating connector (female) for wiring inputs/outputs (6.3 mm FASTON), 1 piece **69001-733**

Coding PU (1 keying/coding strip, 2 pieces keying/coding pins) **60800-123**

Note

- Please order front panel separately
- Output data for mains voltage > 190 V_{AC}, T_A = 0 ... 50 °C
- Customised front panels available via www.frontpanelexpress.eu
- Further accessories see page 9.16

D1JM0084

Connector pin-out

Pin	Connection
4	Output + V ₁
6	Output + V ₁
8	Sense line + V ₁
10	Sense line 0 V ₁
12	Output 0 V ₁
14	Output 0 V ₁
16	-
18	-
20	-
22	CSB
24	Output OK
26	-
28	L
30	N
32	PE ⊕