

# PRODUCT NOTE

## CHANGE NOTICE

DWG .NO. **32057R9245**

TECO'S MODEL : **AEEV1H/AEUV1H**

<u>Revision Date</u>	<u>VOL.</u>	<u>Revised or New Material</u>
17-Nov-12	01	Revised Pages: 1,2,3,.....,67,68,65
17-Dec-12	02	Revised Pages: 5, 6, 9, 10, 11, 12, 13, 18, 19, 21, 22, 23, 24, 25, 26, 27, 28, 30, 33, 34, 35, 36, 37
9-Jun-13	03	Revised Pages: 1, 3, 4, 28, 37, 45,49, 51, 55, 58, 59, 60, 61, 62

STEM	1
RDC	1
WXDC	1
HTEM	1
GSMD	1
營	1

APPD.	Ben Yang	4-Mar-13	TECO Electric & Machinery Co., Ltd. <b>Wuxi, China</b>	DWG NO.	<b>32057R9245</b>
CHKD.	Chiwen CHEN	4-Mar-13		REV. 03	
DWN.	Z.S.H	28-Feb-13		1/2	



EFFECTIVE : 25-Sep-12

REVISED : 9-Jun-13

# PRODUCT NOTE

**MODEL : AEEV1H / AEUV1H****TYPE : AEEVF3 / AEUVF3**IE2 EFFICIENCY 3-PHASE INDUCTION MOTORS  
LOW VOLTAGE SQUIRREL CAGE TEFC  
FRAME NOS. : 80M ~ 355L

## TABLE OF CONTENTS

DWG NO.	NAME	PAGES	DATE	
32057R9246	SPECIFICATION TABLE	2	28-Feb-13	
32057R9247	PERFORMANCE DATA ( 50HZ/380V )	2	28-Feb-13	
32057R9248	OUTLINE DIMENSIONS SHEET ( 80M~250M ) ( IM B3 )	4	17-Dec-12	
3W049U305	OUTLINE DIMENSIONS SHEET ( 280S~355L ) ( IM B3 )	5	17-Dec-12	
32057R9249	OUTLINE DIMENSIONS SHEET ( 80M~250M ) ( IM B5 )	4	17-Nov-12	
3W049U307	OUTLINE DIMENSIONS SHEET ( 280S~315M ) ( IM B5 )	2	17-Dec-12	
32057R9250	OUTLINE DIMENSIONS SHEET ( 80M~250M ) ( IM B35 )	4	17-Dec-12	
3W049U311	OUTLINE DIMENSIONS SHEET ( 280S~355L ) ( IM B35 )	5	28-Feb-13	
STEM 1	32057R9251	OUTLINE DIMENSIONS SHEET ( 80M~250M ) ( IM V1 )	4	17-Dec-12
RDC 1	3W049U369	OUTLINE DIMENSIONS SHEET ( 280S~355L ) ( IM V1 )	5	28-Feb-13
WXDC 1	32057R9252	SCHEMATIC DRAWING ( 80M~250M ) ( IM B3 )	5	17-Nov-12
HTEM 1	3W049U291	SCHEMATIC DRAWING ( 280S~355L ) ( IM B3 )	2	17-Nov-12
GSMC 1	32057R9253	SCHEMATIC DRAWING ( 80M~250M ) ( IM B5 )	5	28-Feb-13
營 1	3W049U308	SCHEMATIC DRAWING ( 280S~315M ) ( IM B5 )	1	17-Nov-12
	32057R9254	SCHEMATIC DRAWING ( 80M~250M ) ( IM B35 )	5	28-Feb-13
	3W049U312	SCHEMATIC DRAWING ( 280S~355L ) ( IM B35 )	2	17-Nov-12
	32057R9255	SCHEMATIC DRAWING ( 80M~250M ) ( IM V1 )	5	28-Feb-13
	3W049U375	SCHEMATIC DRAWING ( 280S~355L ) ( IM V1 )	3	17-Nov-12

APPD.	Ben Yang	4-Mar-13	TECO Electric & Machinery Co., Ltd. Wuxi, China	DWG NO.	<b>32057R9245</b>
CHKD.	Chiwen CHEN	4-Mar-13		REV. 03	
DWN.	Z.S.H	28-Feb-13		2/2	

ISSUED 25-Sep-12		<b>SPECIFICATION TABLE</b>			MODEL <b>AAEV1H / AEUV1H</b>			
REVISED 28-Feb-13					IE2 EFFICIENCY 3-PHASE INDUCTION MOTORS LOW VOLTAGE SQUIRREL CAGE		PAGE 1 of 65	
<b>ITEM</b>			<b>STANDARD SPECIFICATION</b>					
R A T I N G	Kind of Motors		Squirrel - Cage Induction Motors ( SCIM ) .					
	Design Standards		GB, IEC					
	Voltages		380V, 400V, 415V					
	Frequency		50Hz					
	Output Range		0.55 kW ~ 315 kW .					
	R.P.M. (Syn.)		3000 ~ 1000 R.P.M. ( 2 ~ 6 Poles ) .					
	Time Duty		Continuous. S1 , S.F. : 1.0 .					
	Frame Nos.		80M ~ 355L .					
	Protection Enclosure		Totally Enclosed ( IP 55 ) .					
	Cooling Method		Self External Fan, Surface Cooling ( IC 411 ) .					
Mounting		AAEV1H : Horizontal Foot Mounted B3 ( IM 1001 ) . AEUV1H : Horizontal Flange Mounted B5 ( IM 3001 ) . AAEV1H : Horizontal Foot And Flange Mounted B35 ( IM 2001 ) . AEUV1H : Vertical Flange Mounted, Shaft Down V1 ( IM 3011 ) .						
A P P L I C A T I O N	Environment Conditions		Place : Shadow, Non-Hazardous. Ambient Temperature : -15 ~ 40°C . Relative Humidity : Less Than 90%RH ( Non-Condensation ) . Altitude : Less Than 1,000 Meters .					
	Power Source Conditions		Voltage : ±10%, Frequency : ±5%, and 10% Max. of Combined Voltage and Frequency. But Frequency Variation Does Not Exceed ±5% .					
	Method of Starting		Full Voltage Direct On Line or Y - △ Starting .					
	Drive Method		Belt Service , However , 2 Pole 45 kW and Up Coupling Service is the Way .					
	Direction of Rotation		Bi-Directional .					
C O N S T R U C T I O N	Dimensions		Mounting	Frame Nos.	DWG No.	Frame Nos.	DWG No.	
			IM B3	80M ~ 250M	32057R9248	280S ~ 355L	3W049U305	
			IM B5	80M ~ 250M	32057R9249	280S ~ 315M	3W049U307	
			IM B35	80M ~ 250M	32057R9250	280S ~ 355L	3W049U311	
			IM V1	80M ~ 250M	32057R9251	280S ~ 355L	3W049U369	
	Frame		High Grade Cast Iron .					
	End Bracket		High Grade Cast Iron .					
	External Fan		Polypropylene .					
	Fan Cover		Pressed Plate .					
APPD.	Chiwen CHEN	25-Sep-12	<b>TECO Electric &amp; Machinery Co., Ltd.</b> <b>Wuxi, China</b>			DWG NO. <b>32057R9246</b>		
CHKD.	SHITOU	25-Sep-12				Rev. 02		1/2
DWN.	TDY	25-Sep-12						

ISSUED		<b>SPECIFICATION TABLE</b>				MODEL	
25-Sep-12						AEEV1H / AEUV1H	
REVISED		IE2 EFFICIENCY 3-PHASE INDUCTION MOTORS LOW VOLTAGE SQUIRREL CAGE				PAGE	
28-Feb-13						2 of 65	
ITEM			STANDARD SPECIFICATION				
C O N S T R U C T I O N	Shaft		Carbon Steel, Cylindrical Single Extension with Keyway and Key .				
	Bearing		Bracket Mounting , Vacuum De - Gassed High Quality Open Bearings for Frame Nos. 180M ~ 355L, Grease Pre - Packed Shielded Rolling Bearings for the Others .				
	Lubrication		Mineral Oil, Li - Base Grease ( MULTEMP SRL )				
	Lead Terminal		Solderless Lug Terminals .				
	Shaft Flinger		V - ring on Both End .				
	Terminal Box		Cast iron, Can be Rotated Each 90° With Conduit Hole for Cable Entrance . The Terminal Box is Usually Placed on The Top of The Frame and The Cables Could be Let Out from Four Possible Directions .				
	Iron Core		High Grade, Insulated, Cold - Rolled Electro - Magnetic Steel Plate .				
	Stator Winding		Pre - Formed, Random Wound, Made of Heavy, Polyester Enameled Copper Wire .				
	Stator Insulation		Class F Insulation System .				
	Varnish Treatment		Phenolic Alkyd Resin Varnish .				
	Rotor Winding		Squirrel Cage, Aluminium Conductor with End - Ring and Wafer Blades Integrally Cast .				
	Painting		Phenolic Rust Proof Base Plus Lacquer Surface Finished Painting in Blue - Gray Color ( Munsell 7.5B 3.5/0.5 ) .				
	Name Plate		Stainless Steel Plate .				
	Bolt Thread		ISO Metric System .				
Grounding Terminal		Two Terminals . One at inside of Terminal Box and Another One At Outside Of Frame .					
P E R F O R M A N C E	Test Procedure		GB/T 1032 Method B, IEC 60034-2-1 And Full Voltage Measuring Starting Performance .				
	Typical Performance		As DWG NO. 32057R9247 .				
	Winding Temperature Rise		Not to Exceed 80 °C Rise by Resistance Method at S.F 1.0 Operation .				
	Over Speed		120% Syn. R.P.M. for 2 Min .				
	Over Torque		160% Rated Torque for 15 Sec .				
	Vibration ( r.m.s )		Vibration grade	Shaft height / mm	80 ≤ H ≤ 132	132 < H ≤ 280	H > 280
			Mounting	Velocity mm/s	Velocity mm/s	Velocity mm/s	
		A	Free suspension	1.6	2.2	2.8	
APPD.	Chiwen CHEN	25-Sep-12	<b>TECO Electric &amp; Machinery Co., Ltd.</b> <b>Wuxi, China</b>			DWG NO.	
CHKD.	SHITOU	25-Sep-12				<b>32057R9246</b>	
DWN.	TDY	25-Sep-12				Rev. 02	2/2

ISSUED 17-Apr-12	<b>PERFORMANCE DATA</b> IE2 EFFICIENCY 3-PHASE INDUCTION MOTORS LOW VOLTAGE SQUIRREL CAGE	MODEL <b>AEEV1H / AEUV1H</b>
REVISED 28-Feb-13		PAGE 3 of 65

TEFC, CLASS F, 40°C AMBIENT TEMP.  
IEC ; GB DESIGN N CONTINUOUS DUTY  
S.F. 1.0, 380V 50HZ

IE2

**TYPICAL PERFORMANCE**

( 380 V )

OUTPUT		FULL LOAD rpm	FRAME NO.	EFFICIENCY			POWER FACTOR			CURRENT		TORQUE				ROTOR GD <sup>2</sup> kg-m <sup>2</sup>	NOISE SOUND POWER NO-LOAD dB(A)	APPROX. WEIGHT kg
kW	hp			FULL LOAD (%)	3/4 LOAD (%)	1/2 LOAD (%)	FULL LOAD (%)	3/4 LOAD (%)	1/2 LOAD (%)	FULL LOAD (A)	LOCKED ROTOR %FLC	FULL LOAD kg-m	LOCKED ROTOR %FLT	PULL UP %FLT	BREAK DOWN %FLT			
0.55	0.75	1430	80M	78.1	78.0	75.3	74.0	64.0	49.5	1.45	640	0.381	260	230	290	0.010	66	17.0
		930	80M	74.0	72.8	68.4	65.5	56.0	43.0	1.72	470	0.585	255	245	255	0.013	63	19.5
0.75	1	2865	80M	77.4	75.8	72.6	84.5	77.5	66.0	1.74	630	0.253	225	200	280	0.005	78	16.5
		1430	80M	79.6	79.5	76.3	74.5	65.0	51.0	1.92	705	0.508	330	290	340	0.011	66	18.5
		935	90S	75.9	75.8	73.5	73.0	63.5	50.5	2.06	480	0.776	170	170	220	0.018	63	24.5
1.1	1.5	2880	80M	79.6	80.3	79.1	85.5	78.5	66.5	2.46	775	0.378	255	200	305	0.007	78	19.5
		1440	90S	81.4	81.6	79.3	77.5	69.0	55.0	2.65	740	0.756	275	220	310	0.017	66	24.5
		935	90L	78.1	77.6	74.9	72.0	62.5	49.0	2.97	550	1.164	205	195	245	0.025	63	28.5
1.5	2	2845	90S	81.3	81.5	80.5	90.0	86.0	75.5	3.11	650	0.510	220	170	250	0.010	78	23.0
		1430	90L	82.8	83.8	82.7	82.5	75.5	62.5	3.34	740	1.015	265	190	280	0.022	66	27.5
		955	100L	79.8	79.1	77.3	71.5	63.5	50.0	3.99	550	1.520	165	130	230	0.044	64	36.4
2.2	3	2840	90L	83.2	84.0	83.0	89.5	85.0	75.5	4.49	750	0.767	265	230	300	0.013	78	27.0
		1455	100L	84.3	84.6	82.9	79.0	71.0	58.0	5.02	790	1.497	215	175	290	0.041	70	36.5
		945	112M	81.8	80.8	79.6	75.5	67.5	54.0	5.41	570	2.304	205	175	245	0.071	70	47.0
3	4	2890	100L	84.6	84.4	83.6	89.0	85.0	76.0	6.05	820	1.005	215	195	280	0.022	82	37.6
		1445	100L	85.5	85.4	84.3	80.5	73.0	60.0	6.62	795	2.009	210	155	275	0.050	70	40.0
		965	132S	83.3	81.8	79.2	72.5	63.5	50.0	7.55	585	3.009	195	185	270	0.097	73	57.5
4	5.5	2880	112M	85.8	86.5	85.5	91.0	88.0	81.0	7.78	890	1.386	235	230	335	0.042	83	47.5
		1455	112M	86.6	87.0	86.1	81.0	74.5	62.5	8.66	830	2.744	260	220	290	0.083	72	52.0
		960	132M	84.6	84.8	84.3	77.5	69.5	56.5	9.27	645	4.159	190	175	275	0.131	73	69.0
5.5	7.5	2925	132S	87.0	87.0	85.7	85.5	81.5	73.0	11.2	690	1.861	190	145	250	0.057	85	61.5
		1460	132S	87.7	87.8	86.3	81.5	75.0	63.0	11.7	775	3.729	255	190	320	0.113	75	67.5
		965	132M	86.0	85.3	82.9	72.0	63.5	50.0	13.5	690	5.641	210	160	280	0.171	73	77.5
7.5	10	2905	132S	88.1	88.6	87.6	84.5	80.5	71.5	15.3	660	2.499	190	165	250	0.066	85	67.0
		1465	132M	88.7	89.0	88.8	85.5	80.5	70.0	15.0	760	4.955	230	165	280	0.133	75	78.0
		960	160M	87.2	88.0	87.0	81.5	76.5	66.0	16.0	600	7.561	210	185	225	0.363	73	110
11	15	2940	160M	89.4	89.4	88.6	91.5	89.0	83.0	20.4	830	3.703	220	155	270	0.154	87	105
		1465	160M	89.8	90.1	89.5	88.5	85.0	77.5	21.0	730	7.432	205	155	255	0.297	77	110
		965	160L	88.7	89.2	88.6	81.5	76.0	65.0	23.1	685	11.28	245	230	270	0.558	73	140
15	20	2925	160M	90.3	90.3	90.2	93.0	91.5	88.0	27.1	765	4.963	230	155	240	0.192	87	120
		1470	160L	90.6	91.3	90.5	86.5	82.5	73.5	29.1	785	9.876	235	185	280	0.396	77	130
		975	180L	89.7	89.7	88.4	80.0	74.0	62.5	31.8	760	14.89	265	185	315	1.342	77	200
18.5	25	2945	160L	90.9	91.7	90.5	92.5	90.5	86.0	33.4	880	6.162	265	175	280	0.237	87	135
		1470	180M	91.2	92.0	91.0	85.0	82.5	75.5	36.3	630	12.34	180	175	275	0.654	80	180
		975	200L	90.4	91.1	90.2	82.5	79.0	70.5	37.7	610	18.61	200	185	220	1.604	80	250
22	30	2945	180M	91.3	91.5	91.0	90.0	88.0	82.5	40.7	800	7.394	220	175	280	0.283	88	175
		1475	180L	91.6	91.8	91.5	84.0	80.5	72.5	43.4	710	14.76	195	150	230	0.712	80	190
		975	200L	90.9	91.1	90.9	82.0	78.5	69.5	44.8	680	22.33	225	180	220	1.912	80	270
30	40	2955	200L	92.0	92.0	90.8	90.0	89.0	85.0	55.0	775	9.825	185	140	275	0.521	90	240
		1475	200L	92.3	92.3	91.7	87.5	84.5	77.5	56.4	790	19.68	205	185	245	1.220	83	255
		975	225M	91.7	92.0	91.5	86.0	83.5	76.0	57.8	615	29.78	175	155	210	2.442	80	325

APPD.	Chiwen CHEN	4-Mar-13	<b>TECO Electric &amp; Machinery Co., Ltd.</b> <b>Wuxi, China</b>	DWG NO.
CHKD.	Chiwen CHEN	4-Mar-13		32057R9247
DWN.	Z.S.H	28-Feb-13		Rev. 02 <span style="float: right;">1/2</span>

ISSUED 17-Apr-12	<b>PERFORMANCE DATA</b> IE2 EFFICIENCY 3-PHASE INDUCTION MOTORS LOW VOLTAGE SQUIRREL CAGE	MODEL <b>AEEV1H / AEUV1H</b>
REVISED 28-Feb-13		PAGE 4 of 65

OUTPUT		FULL LOAD	FRAME NO.	EFFICIENCY			POWER FACTOR			CURRENT		TORQUE				ROTOR GD <sup>2</sup>	NOISE SOUND POWER NO-LOAD	APPROX. WEIGHT
kW	hp			FULL LOAD (%)	3/4 LOAD (%)	1/2 LOAD (%)	FULL LOAD (%)	3/4 LOAD (%)	1/2 LOAD (%)	FULL LOAD (A)	LOCKED ROTOR %FLC	FULL LOAD kg-m	LOCKED ROTOR %FLT	PULL UP %FLT	BREAK DOWN %FLT			
37	50	2950	200L	92.5	92.0	91.3	90.5	89.5	85.5	67.2	845	12.30	205	140	240	0.663	90	270
		1480	225S	92.7	92.8	92.1	87.0	84.0	77.0	69.7	710	24.52	190	160	245	1.649	84	320
		980	250M	92.2	92.4	91.9	85.0	81.0	72.5	71.7	640	37.03	180	180	220	3.373	82	410
45	60	2965	225M	92.9	92.3	90.9	90.5	87.5	81.0	81.3	875	14.69	160	155	320	1.074	92	320
		1475	225M	93.1	93.3	92.9	86.5	83.5	76.5	84.9	690	29.53	190	160	270	1.731	84	330
		985	280S	92.7	92.6	92.0	84.0	81.0	73.5	87.8	650	44.52	140	115	230	6.400	85	580
55	75	2970	250M	93.2	93.4	93.1	91.0	90.0	85.5	98.5	735	18.33	135	115	295	1.211	92	405
		1485	250M	93.5	93.6	93.1	87.0	85.0	79.0	103	780	36.66	265	230	250	3.621	85	450
		985	280M	93.1	93.0	92.5	83.5	81.5	74.0	107	650	55.27	145	120	230	7.600	85	660
75	100	2965	280S	93.8	93.8	93.2	90.5	89.5	85.5	134	700	24.65	160	135	260	2.000	94	565
		1480	280S	94.0	94.0	93.5	87.5	86.0	78.5	139	690	49.25	170	145	260	5.200	88	620
		985	315S	93.7	93.6	93.1	83.5	81.0	73.0	146	650	74.20	150	125	220	12.40	89	870
90	125	2965	280M	94.1	94.0	93.5	90.5	89.5	86.0	161	700	30.60	165	140	260	2.400	94	615
		1480	280M	94.2	94.2	93.6	87.5	86.0	78.0	166	690	59.26	180	155	260	6.000	88	690
		985	315M	94.0	94.0	93.4	84.0	81.5	74.0	173	650	89.04	155	130	220	14.00	89	932
110	150	2965	315S	94.3	94.3	93.7	89.5	88.5	85.0	198	700	36.72	150	125	250	4.400	98	850
		1480	315S	94.5	94.5	93.8	88.5	87.0	82.0	200	690	72.43	160	135	240	8.800	94	960
		985	315L	94.3	94.2	93.6	85.0	82.0	74.5	209	650	108.8	150	125	220	18.80	89	1,120
132	175	2965	315M	94.6	94.6	93.8	90.0	89.0	86.0	236	690	42.84	145	120	240	4.800	98	922
		1480	315M	94.7	94.7	94.0	88.5	87.5	82.5	239	675	86.80	160	135	240	10.00	94	1,000
		985	315L	94.6	94.5	93.8	85.0	83.0	75.5	249	650	130.6	150	125	220	20.40	89	1,250
160	215	2970	315L	94.8	94.8	94.0	89.0	88.0	84.5	288	690	52.55	150	125	240	5.200	98	980
		1485	315L	94.9	94.9	94.1	88.5	87.0	82.5	289	670	105.2	140	115	230	11.60	94	1,090
		985	315L	94.8	94.8	94.0	84.5	82.0	74.0	304	650	158.3	145	120	230	23.20	89	1,280
		985	355M	94.8	94.8	94.0	84.5	82.0	74.0	303	650	158.3	145	120	230	31.60	94	1,700
200	270	2970	315L	95.0	95.0	94.1	90.5	90.0	88.0	353	690	65.99	150	125	240	6.400	98	1,150
		1485	315L	95.1	95.0	94.2	88.5	87.0	83.0	361	670	131.5	150	125	230	14.40	94	1,280
		985	315D	95.0	94.9	94.1	85.0	83.0	76.0	376	650	197.9	155	130	230	38.80	89	1,665
		985	355M	95.0	94.9	94.1	85.0	83.0	76.0	376	650	197.9	155	130	230	40.80	94	1,900
250	335	2975	315D	95.0	95.0	94.2	91.0	90.5	88.5	439	690	81.74	140	115	240	10.00	98	1,600
		2975	355M	95.0	95.0	94.2	91.0	90.5	88.5	439	690	81.74	140	115	240	10.80	100	1,700
		1485	315D	95.1	95.1	94.3	89.0	88.0	84.0	449	680	164.0	140	115	230	25.20	94	1,650
		1485	355M	95.1	95.1	94.3	89.0	88.0	84.0	449	680	164.0	140	115	230	27.20	95	1,750
		985	315D	95.0	95.0	94.2	85.0	83.5	77.0	470	650	247.3	150	125	230	46.40	89	1,840
985	355L	95.0	95.0	94.2	85.0	83.5	77.0	470	650	247.3	150	125	230	46.00	94	2,080		
315	420	2975	315D	95.0	95.0	94.2	91.5	91.0	89.0	551	700	103.2	140	115	240	12.00	98	1,760
		2975	355L	95.0	95.0	94.2	91.5	91.0	89.0	551	700	103.2	140	115	240	14.00	100	1,870
		1485	315D	95.1	95.1	94.3	89.0	88.0	84.5	566	675	206.7	140	115	230	31.20	94	1,860
		1485	355L	95.1	95.1	94.3	89.0	88.0	84.5	565	675	206.7	140	115	230	34.40	95	1,960

- NOTE :
- The above are typical values based on test according to GB/T 1032 method B, IEC 60034-2-1:2007.
  - Tolerance according to GB 755, IEC 60034-1.
  - Breakdown & Locked rotor torques are show as average expected voltages.
  - Efficiency, power factor, speed and torque are the same for other voltages.  
Current values vary inversely with voltage.
  - F#315D 2P 250kW, 2P 315kW, 4P 250kW, 4P 315kW, 6P 200kW, 6P 250kW : Only Suitable for IM B3.
  - Noise : sound power level at no - load, dB(A), Tolerance + 3 dB(A)
  - Data subject to change without notice.

APPD.	Chiwen CHEN F.YANG	4-Mar-13	<b>TECO Electric &amp; Machinery Co., Ltd.</b> <b>Wuxi, China</b>	DWG NO.	<b>32057R9247</b>
CHKD.	Chiwen CHEN F.YANG	4-Mar-13		Rev. 02	
DWN.	Z.S.H SHAO FU	28-Feb-13		2/2	

ISSUED  
25-Sep-12

REVISED  
17-Dec-12

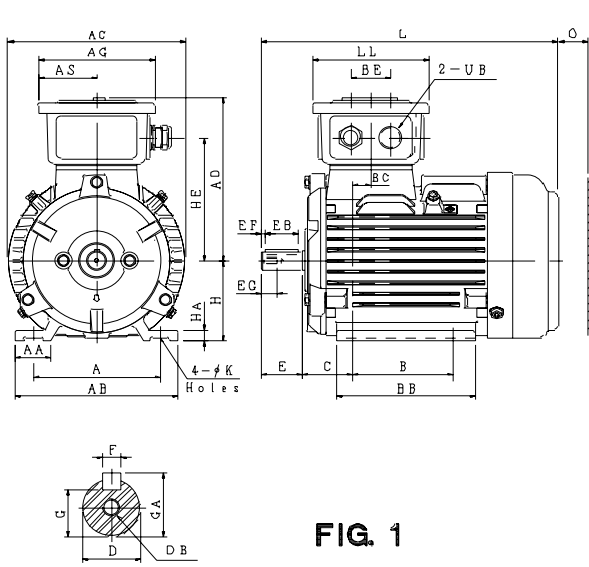
# OUTLINE DIMENSIONS SHEET

IE2 EFFICIENCY 3-PHASE INDUCTION MOTORS  
B3 (IM 1001) FRAME NOS. 80M ~ 112M

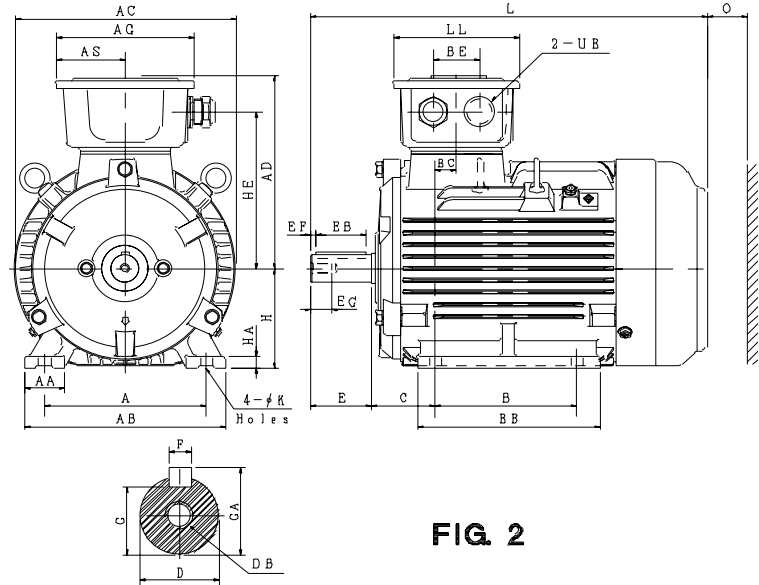
MODEL  
**AAEV1H**

PAGE  
5 of 65

Totally Enclosed Fan-Cooled Type, Squirrel-Cage Rotor.



**FIG. 1**



**FIG. 2**

Dimension in mm

Output (kW)				FRAME SIZE	FIG. NO.	A	AA	AB	AC	AD	AG	AS	B	BB	BC	BE	C	H	HA	HE	K
2P	4P	6P	---			125	34.5	161	177	163	125	67.5	100	137	18.5	40	50	80	10	123.5	10
0.75	0.55	0.37	---	80M	1																
1.1	0.75	0.55	---																		
1.5	1.1	0.75	---	90S	2	140	40	180	197	173	125	67.5	100	161	36	40	56	90	10	133.5	10
2.2	1.5	1.1	---	90L		140	40	180	197	173	125	67.5	125	186	36	40	56	90	10	133.5	10
3	2.2	1.5	---	100L		160	40	200	219	193	147	78.5	140	181	21	50	63	100	12	157	12
---	3	---	---																		
4	4	2.2	---	112M		190	45	235	235	200.5	147	78.5	140	186	28	50	70	112	13	164.5	12

FRAME SIZE	L	LL	O	UB	SHAFT EXTENSION								BEARING		
					D	E	EB	EF	EG	F	G	GA	DB	DRIVE END	OPPOSITE DRIVE END
80M	293	115	40	M20x1.5	19	40	32	4	16	6	15.5	21.5	M6	6204ZZ	6204ZZ
90S	344.5	115	40	M20x1.5	24	50	40	5	19	8	20	27	M8	6205ZZ	6205ZZ
90L	369.5	115	40	M20x1.5	24	50	40	5	19	8	20	27	M8	6205ZZ	6205ZZ
100L	392	125	50	M25X1.5	28	60	50	5	22	8	24	31	M10	6206ZZ	6206ZZ
112M	412.5	125	50	M25X1.5	28	60	50	5	22	8	24	31	M10	6306ZZ	6306ZZ

**Note :** 1. Tolerance of shaft end diameter D : Among  $\phi 19 \sim \phi 28 : j6$ .  
2. Tolerance of shaft center high H : +0, -0.5.

APPD.	H.C.YAN	25-Sep-12	<b>TECO Electric &amp; Machinery Co., Ltd.</b> <b>Wuxi, China</b>	DWG NO.	<b>32057R9248</b>
CHKD.	SHITOU	25-Sep-12		Rev. 02	
DWN.	TDY	25-Sep-12		1/4	

ISSUED

25-Sep-12

REVISED

17-Dec-12

**OUTLINE DIMENSIONS SHEET**

IE2 EFFICIENCY 3-PHASE INDUCTION MOTORS

B3 (IM 1001) FRAME NOS. 132S ~ 132M

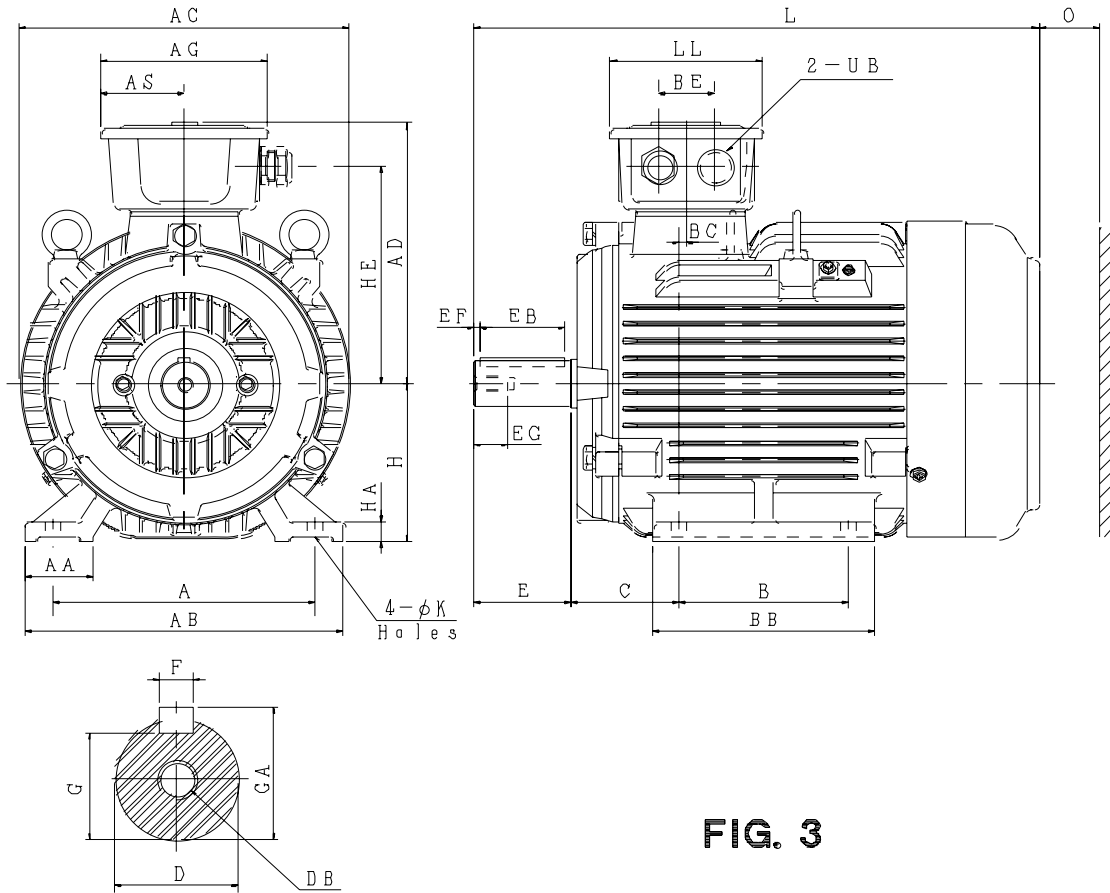
MODEL

**AEV1H**

PAGE

6 of 65

Totally Enclosed Fan-Cooled Type, Squirrel-Cage Rotor.

**FIG. 3**

Dimension in mm

Output (kW)				FRAME SIZE	FIG. NO.	A	AA	AB	AC	AD	AG	AS	B	BB	BC	BE	C	H	HA	HE	K	L	LL
2P	4P	6P	---			216	57	263	273	218	147	78.5	140	184	6	50	89	132	16	182	12	466	125
5.5	5.5	3	---	132S	3	216	57	263	273	218	147	78.5	140	184	6	50	89	132	16	182	12	466	125
7.5	---	---	---			216	57	263	273	218	147	78.5	178	222	6	50	89	132	16	182	12	504	125
---	7.5	4	---	132M		216	57	263	273	218	147	78.5	178	222	6	50	89	132	16	182	12	504	125
---	---	5.5	---			216	57	263	273	218	147	78.5	178	222	6	50	89	132	16	182	12	504	125

FRAME SIZE	O	UB	SHAFT EXTENSION									BEARING	
			D	E	EB	EF	EG	F	G	GA	DB	DRIVE END	OPPOSITE DRIVE END
132S	50	M25x1.5	38	80	70	5	28	10	33	41	M12	6308ZZ	6306ZZ
132M	50	M25x1.5	38	80	70	5	28	10	33	41	M12	6308ZZ	6306ZZ

**Note :** 1. Tolerance of shaft end diameter D :  $\phi 38:k6$ .2. Tolerance of shaft center high H :  $+0, -0.5$ .

APPD.	H.C.YAN	25-Sep-12
CHKD.	SHITOU	25-Sep-12
DWN.	TDY	25-Sep-12

TECO Electric &amp; Machinery Co., Ltd.

Wuxi, China

DWG NO.

**32057R9248**

Rev. 02

2/4



ISSUED

25-Sep-12

**OUTLINE DIMENSIONS SHEET**

MODEL

**AEV1H**

REVISED

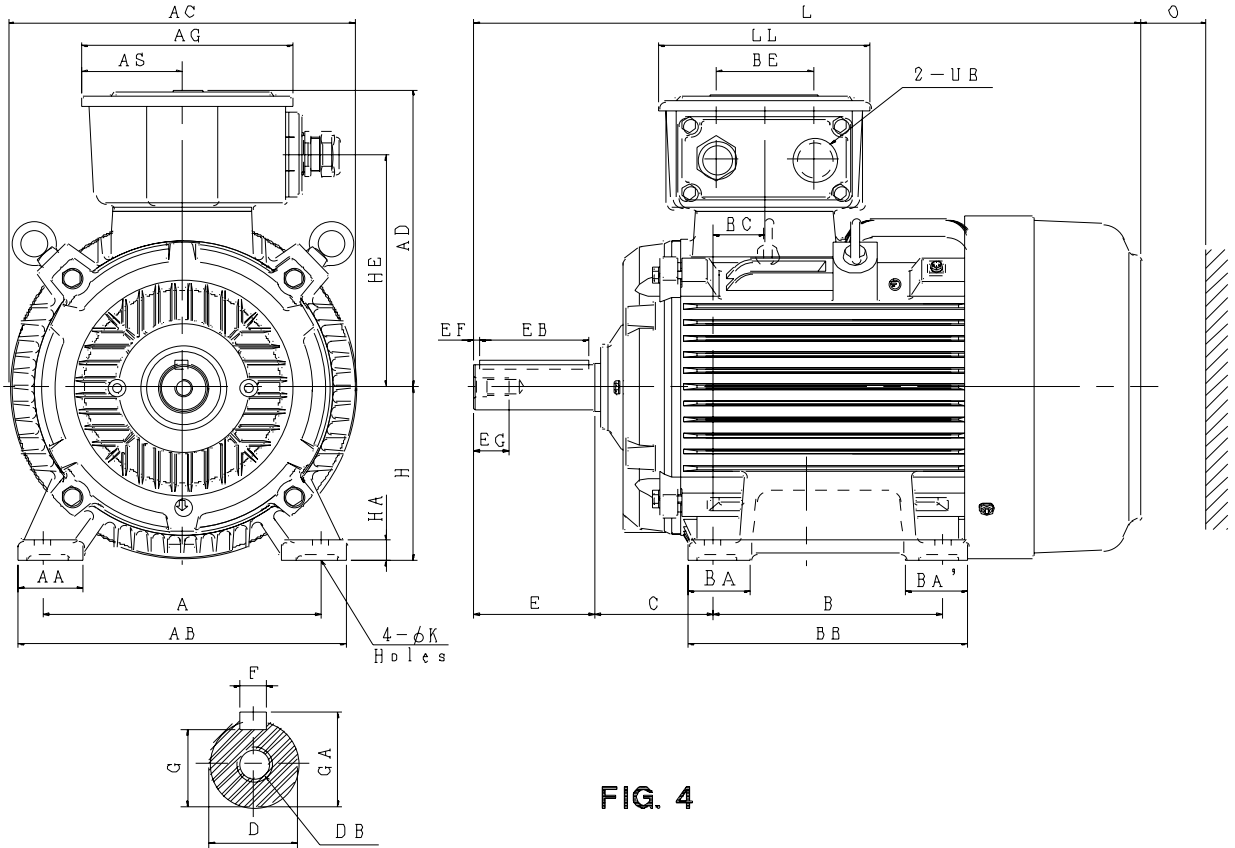
17-Dec-12

IE2 EFFICIENCY 3-PHASE INDUCTION MOTORS

PAGE

7 of 65

Totally Enclosed Fan-Cooled Type, Squirrel-Cage Rotor.

**FIG. 4**

Dimension in mm

Output (kW)				FRAME SIZE	FIG. NO.	A	AA	AB	AC	AD	AG	AS	B	BA	BA'	BB	BC	BE	C	H	HA	HE	K
2P	4P	6P	---			254	60	300	317	273	193	91.5	210	57.5	57.5	256	47	89	108	160	18	215	14.5
11	11	7.5	---	160M	4	254	60	300	317	273	193	91.5	210	57.5	57.5	256	47	89	108	160	18	215	14.5
15	---	---	---	160L		254	60	300	317	273	193	91.5	254	57.5	101.5	300	47	89	108	160	18	215	14.5

FRAME SIZE	L	LL	O	UB	SHAFT EXTENSION								BEARING		
					D	E	EB	EF	EG	F	G	GA	DB	DRIVE END	OPPOSITE DRIVE END
160M	608	193	60	M32x1.5	42	110	100	5	36	12	37	45	M16	6309ZZ	6307ZZ
160L	652	193	60	M32x1.5	42	110	100	5	36	12	37	45	M16	6309ZZ	6307ZZ

**Note :** 1. Tolerance of shaft end diameter D :  $\phi 42 : k6$ .

2. Tolerance of shaft center high H :  $+0, -0.5$ .

APPD.	H.C.YAN	25-Sep-12
CHKD.	SHITOU	25-Sep-12
DWN.	TDY	25-Sep-12

TECO Electric &amp; Machinery Co., Ltd.

Wuxi, China

DWG NO.

**32057R9248**

Rev. 02

3/4

ISSUED  
25-Sep-12

REVISED  
17-Dec-12

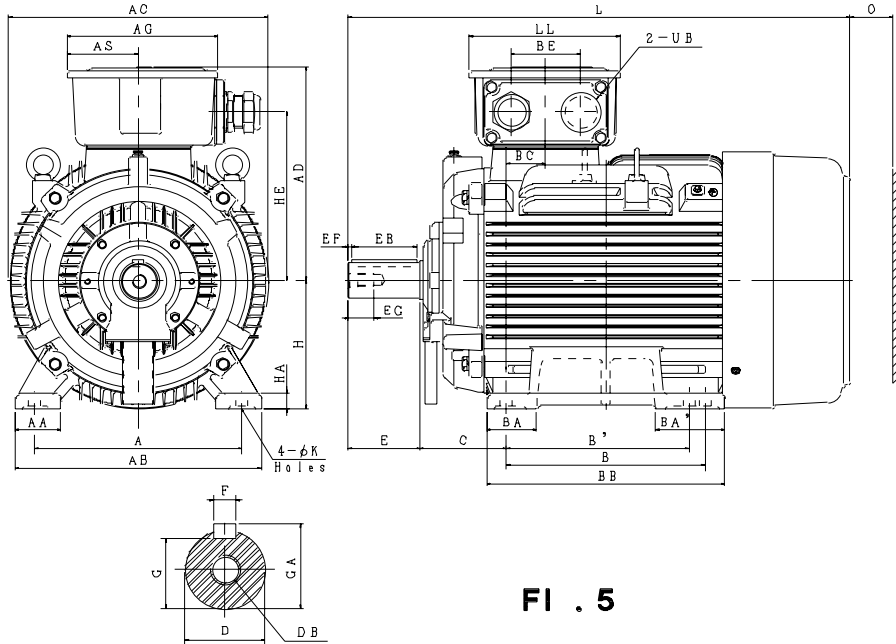
# OUTLINE DIMENSIONS SHEET

IE2 EFFICIENCY 3-PHASE INDUCTION MOTORS  
B3 (IM 1001) FRAME NOS. 180M ~ 250M

MODEL  
**AEEV1H**

PAGE  
8 of 65

Totally Enclosed Fan-Cooled Type, Squirrel-Cage Rotor.



**FI . 5**

Dimension in mm

Output (kW)				FRAME SIZE	FIG. NO.	A	AA	AB	AC	AD	AG	AS	B	B'	BA	BA'	BB	BC	BE	C	H	HA
2P	4P	6P	---																			
22	18.5	---	---	180M	5	279	65	330	354	299	193	91.5	241	---	62	62	292	39	89	121	180	20
---	22	15	---	180L		279	65	330	354	299	193	91.5	279	241	62	100	330	39	89	121	180	20
<sup>30</sup> <sub>37</sub>	30	<sup>18.5</sup> <sub>22</sub>	---	200L		318	70	378	398	332	231	110.5	305	---	76	76	365	60	106	133	200	24
---	37	---	---	225SC		356	75	431	449	358	231	110.5	286	---	90	90	350	37.5	106	149	225	28
45	---	---	---	225MA		356	75	431	449	358	231	110.5	311	286	90	115	375	37.5	106	149	225	28
---	45	30	---	225MC		356	75	431	449	358	231	110.5	311	286	90	115	375	37.5	106	149	225	28
55	---	---	---	250MA		406	85	480	499	400	255	122.5	349	---	105	105	425	57.5	119	168	250	30
---	55	37	---	250MC		406	85	480	499	400	255	122.5	349	---	105	105	425	57.5	119	168	250	30

FRAME SIZE	HE	K	L	LL	O	UB	SHAFT EXTENSION										BEARING	
							D	E	EB	EF	EG	F	G	GA	DB	DRIVE END	OPPOSITE DRIVE END	
180M	241	14.5	672	193	70	M32x1.5	48	110	100	5	36	14	42.5	51.5	M16	(6311C3)	(6310C3)	
180L	241	14.5	710	193	70	M32x1.5	48	110	100	5	36	14	42.5	51.5	M16	6311	6310	
200L	262	18.5	770	231	80	M50x1.5	55	110	100	5	42	16	49	59	M20	(6312C3) 6312	(6212C3) 6212	
225SC	288	18.5	816	231	90	M50x1.5	60	140	125	7.5	42	18	53	64	M20	(6312C3)	(6212C3)	
225MA	288	18.5	811	231	90	M50x1.5	55	110	100	5	42	16	49	59	M20	6313	6213	
225MC	288	18.5	841	231	90	M50x1.5	60	140	125	7.5	42	18	53	64	M20			
250MA	322	24	921	255	105	M63x1.5	60	140	125	7.5	42	18	53	64	M20	6313C3	6313C3	
250MC	322	24	921	255	105	M63x1.5	65	140	125	7.5	42	18	58	69	M20	6315	6313	

- Note :**
1. Tolerance of shaft end diameter D : a) .φ 48 : k6 ; b) .Under φ 55 ~ φ 65 : m6.
  2. Tolerance of shaft center high H : +0, -0.5.
  3. Bearing No. In ( ) is for 2P.

APPD.	H.C.YAN	25-Sep-12	<b>TECO Electric &amp; Machinery Co., Ltd.</b> <b>Wuxi, China</b>	DWG NO.	<b>32057R9248</b>
CHKD.	SHITOU	25-Sep-12		Rev. 02	
DWN.	TDY	25-Sep-12		4/4	

ISSUED

25-Sep-12

REVISED

17-Dec-12

# OUTLINE DIMENSIONS SHEET

IE2 EFFICIENCY 3-PHASE INDUCTION MOTORS

B3 (IM 1001) FRAME NOS. 280S ~ 355L

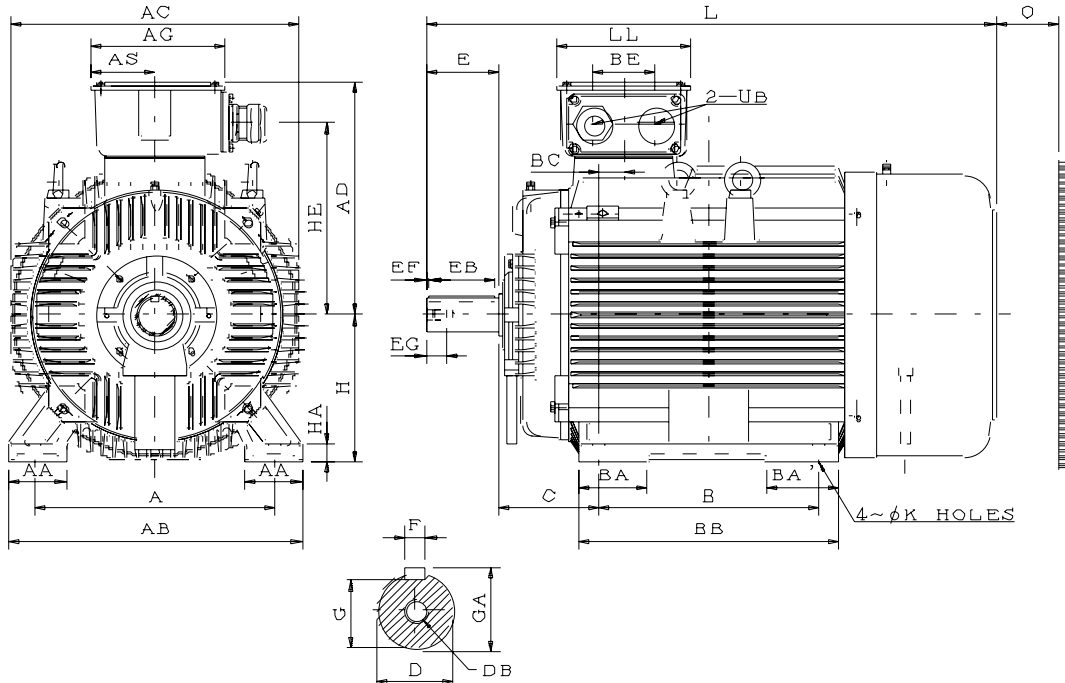
MODEL

**AEEV1H**

PAGE

9 of 65

Totally Enclosed Fan - Cooled Type, Squirrel - Cage Rotor.



Dimension in mm

Output (kW)			FRAME SIZE	A	AA	AB	AC	AD	AG	AS	B	BA	BA'	BB	BC	BE	C	H	HA	HE
2P	4P	6P																		
75	---	---	280SA	457	110	560	550	446	255	122.5	368	110	110	445	48	119	190	280	35	367
---	75	45	280SB	457	110	560	550	446	255	122.5	368	110	110	445	48	119	190	280	35	367
90	---	---	280MA	457	110	560	550	446	255	122.5	419	130	137	495	48	119	190	280	35	367
---	90	55	280MB	457	110	560	550	446	255	122.5	419	130	137	495	48	119	190	280	35	367

FRAME SIZE	K	L	LL	O	UB	SHAFT EXTENSION										BEARING	
						D	E	EB	EF	EG	F	G	GA	DB	DRIVE END	OPPOSITE DRIVE END	
280SA	24	1037.5	255	140	M63X1.5	65	140	125	7.5	40	18	58	69	M20	6316C3	6314C3	
280SB	24	1037.5	255	140	M63X1.5	75	140	125	7.5	40	20	67.5	79.5	M20	6318C3	6316C3	
280MA	24	1087.5	255	140	M63X1.5	65	140	125	7.5	40	18	58	69	M20	6316C3	6314C3	
280MB	24	1087.5	255	140	M63X1.5	75	140	125	7.5	40	20	67.5	79.5	M20	6318C3	6316C3	

- Note :**
1. Tolerance of Shaft End Diameter D : m6
  2. Tolerance of Shaft Center Height H : +0, -1
  3. Tolerance of Key Width F : h9

APPD.	Ben Yang	25-Sep-12
CHKD.	J.LIU	25-Sep-12
DWN.	S.CAO	25-Sep-12

**TECO Electric & Machinery Co., Ltd.**

**Wuxi, China**

DWG NO.

**3W049U305**

Rev. 02

1/5

ISSUED  
25-Sep-12

# OUTLINE DIMENSIONS SHEET

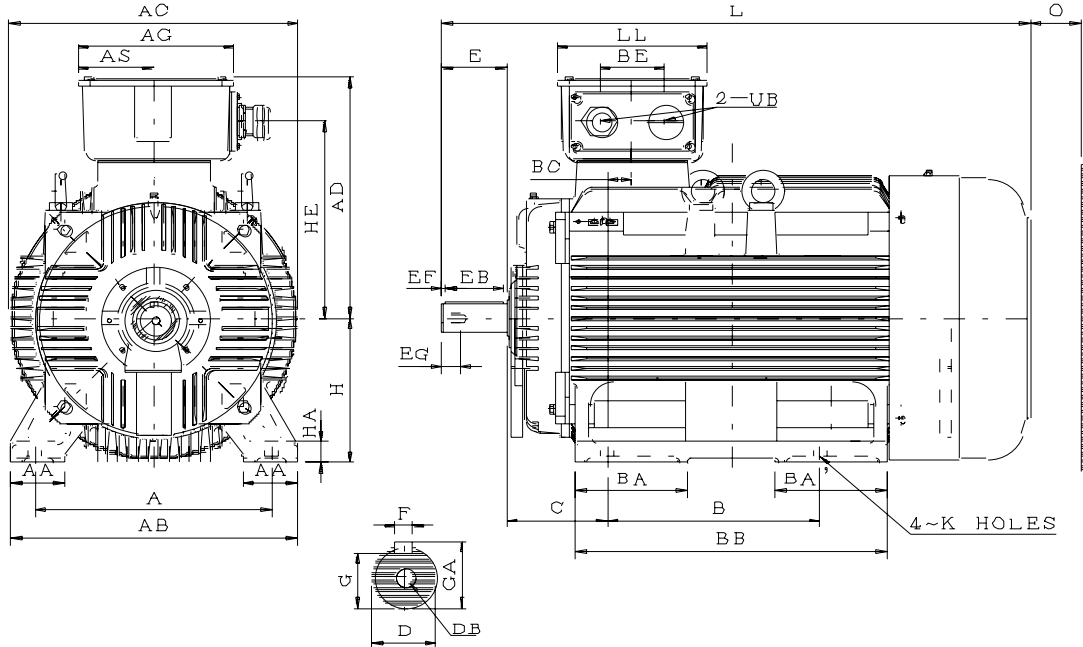
MODEL  
**AEEV1H**

REVISED  
17-Dec-12

IE2 EFFICIENCY 3-PHASE INDUCTION MOTORS  
B3 (IM 1001) FRAME NOS. 280S ~ 355L

PAGE  
10 of 65

Totally Enclosed Fan - Cooled Type, Squirrel - Cage Rotor.



Dimension in mm

Output (kW)			FRAME SIZE	A	AA	AB	AC	AD	AG	AS	B	BA	BA'	BB	BC	BE	C	H	HA	HE
2P	4P	6P																		
110	---	---	315SA	508	115	615	620	527.5	336	163	406	210	210	620	53	140	216	315	35	430
---	110	75	315SB	508	115	615	620	527.5	336	163	406	210	210	620	53	140	216	315	35	430
132 (160)	---	---	315MA	508	115	615	620	527.5	336	163	457	240	240	670	53	140	216	315	35	430
---	132 (160)	90 (110)	315MB	508	115	615	620	527.5	336	163	457	240	240	670	53	140	216	315	35	430

FRAME SIZE	K	L	LL	O	UB	SHAFT EXTENSION									BEARING	
						D	E	EB	EF	EG	F	G	GA	DB	DRIVE END	OPPOSITE DRIVE END
315SA	28	1216	322	180	M63X1.5	65	140	125	7.5	40	18	58	69	M20	6316C3	6314C3
315SB	28	1246	322	180	M63X1.5	80	170	160	5	40	22	71	85	M20	6320C3	6316C3
315MA	28	1266	322	180	M63X1.5	65	140	125	7.5	40	18	58	69	M20	6316C3	6314C3
315MB	28	1296	322	180	M63X1.5	80	170	160	5	40	22	71	85	M20	6320C3	6316C3

- Note :**
1. Tolerance of Shaft End Diameter D : m6
  2. Tolerance of Shaft Center Height H : +0, -1
  3. Tolerance of Key Width F : h9
  4. Output In the Brackets for Optional Matching

APPD.	Ben Yang	25-Sep-12
CHKD.	J.LIU	25-Sep-12
DWN.	S.CAO	25-Sep-12

**TECO Electric & Machinery Co., Ltd.**

**Wuxi, China**

DWG NO.

**3W049U305**

Rev. 02

2/5

ISSUED  
25-Sep-12

# OUTLINE DIMENSIONS SHEET

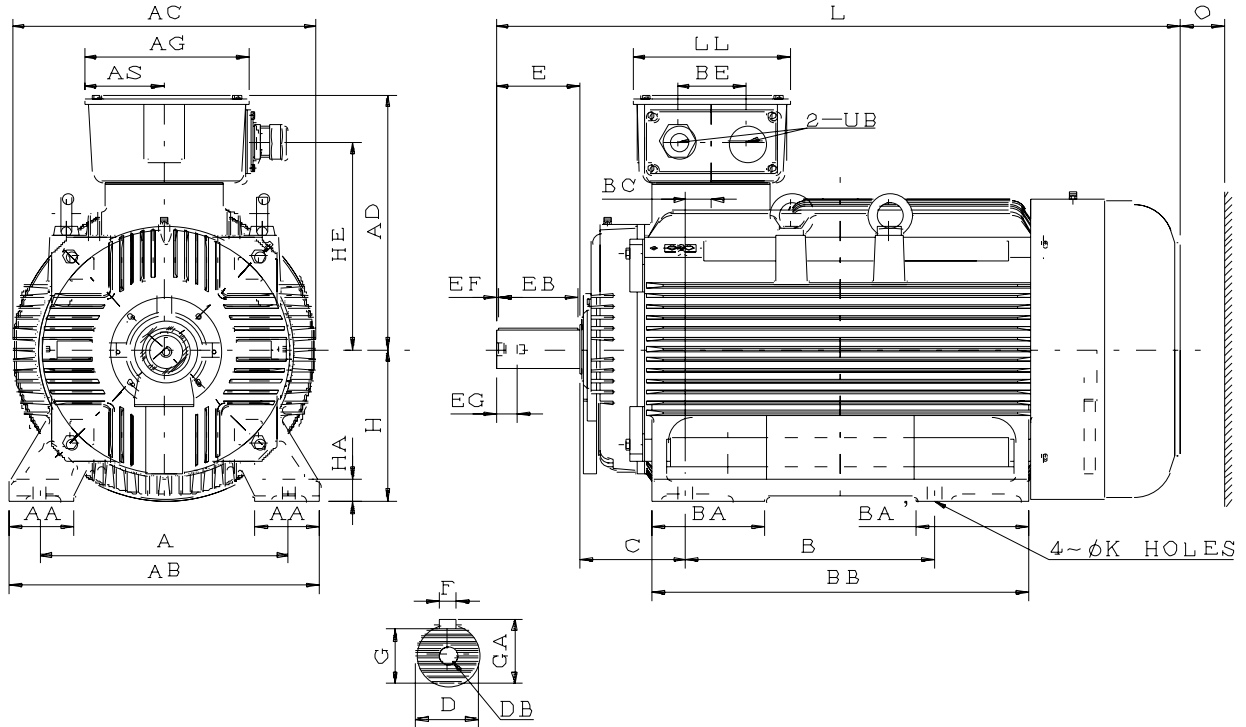
MODEL  
**AEEV1H**

REVISED  
17-Dec-12

IE2 EFFICIENCY 3-PHASE INDUCTION MOTORS  
B3 (IM 1001) FRAME NOS. 280S ~ 355L

PAGE  
11 of 65

Totally Enclosed Fan - Cooled Type, Squirrel - Cage Rotor.



Dimension in mm

Output (kW)			FRAME SIZE	A	AA	AB	AC	AD	AG	AS	B	BA	BA'	BB	BC	BE	C	H	HA	HE
2P	4P	6P		---	---	---	---	---	---	---	---	---	---	---	---	---	---	---	---	---
160	---	---	315LA	508	130	630	620	527.5	336	163	508	230	230	770	53	140	216	315	45	430
---	160	110 132 (160)	315LB	508	130	630	620	527.5	336	163	508	230	230	770	53	140	216	315	45	430

FRAME SIZE	K	L	LL	O	UB	SHAFT EXTENSION									BEARING	
						D	E	EB	EF	EG	F	G	GA	DB	DRIVE END	OPPOSITE DRIVE END
315LA	28	1366	322	180	M63X1.5	65	140	125	7.5	40	18	58	69	M20	6316C3	6314C3
315LB	28	1396	322	180	M63X1.5	80	170	160	5	40	22	71	85	M20	6320C3	6316C3

- Note :**
1. Tolerance of Shaft End Diameter D : m6
  2. Tolerance of Shaft Center Height H : +0, -1
  3. Tolerance of Key Width F : h9
  4. Output In the Brackets for Optional Matching

APPD.	Ben Yang	25-Sep-12
CHKD.	J.LIU	25-Sep-12
DWN.	S.CAO	25-Sep-12

**TECO Electric & Machinery Co., Ltd.**  
Wuxi, China

DWG NO.  
**3W049U305**  
Rev. 02 3/5

ISSUED  
25-Sep-12

# OUTLINE DIMENSIONS SHEET

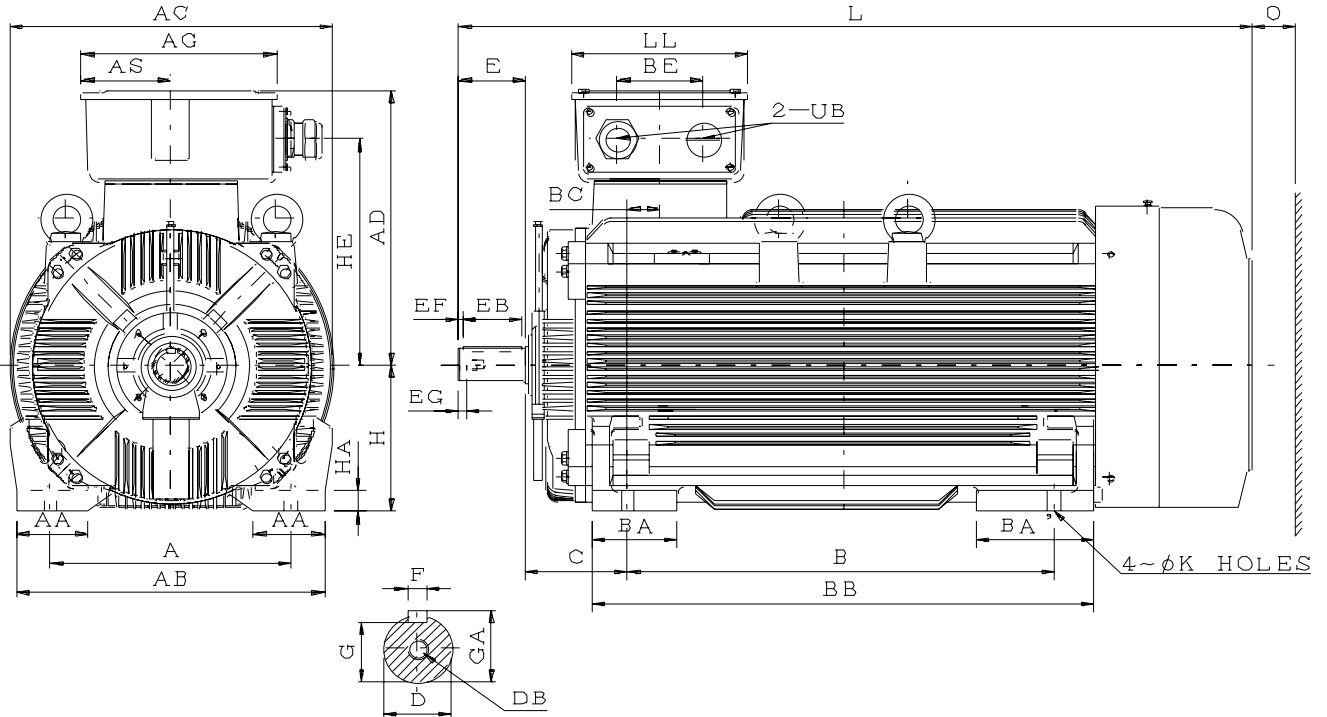
MODEL  
**AEEV1H**

REVISED  
17-Dec-12

IE2 EFFICIENCY 3-PHASE INDUCTION MOTORS  
B3 (IM 1001) FRAME NOS. 280S ~ 355L

PAGE  
12 of 65

Totally Enclosed Fan - Cooled Type, Squirrel - Cage Rotor.



Dimension in mm

Output (kW)			FRAME SIZE	A	AA	AB	AC	AD	AG	AS	B	BA	BA'	BB	BC	BE	C	H	HA	HE
2P	4P	6P																		
250	---	---	315DA	508	150	650	682	590	412	189	900	180	250	1060	68	180	216	315	45	485
---	250	200	315DB	508	150	650	682	590	412	189	900	180	250	1060	68	180	216	315	45	485
---	315	250																		

FRAME SIZE	K	L	LL	O	UB	SHAFT EXTENSION								BEARING		
						D	E	EB	EF	EG	F	G	GA	DB	DRIVE END	OPPOSITE DRIVE END
315DA	28	1674	372	200	M72X2	75	140	125	7.5	40	20	67.5	79.5	M20	6316C3	6316C3
315DB	28	1704	372	200	M72X2	95	170	160	5	48	25	86	100	M24	6322C3	6322C3

- Note :**
1. Tolerance of Shaft End Diameter D : m6
  2. Tolerance of Shaft Center Height H : +0, -1
  3. Tolerance of Key Width F : h9

APPD.	Ben Yang	25-Sep-12
CHKD.	J.LIU	25-Sep-12
DWN.	S.CAO	25-Sep-12

**TECO Electric & Machinery Co., Ltd.**

**Wuxi, China**

DWG NO.

**3W049U305**

Rev. 02

4/5

ISSUED  
25-Sep-12

# OUTLINE DIMENSIONS SHEET

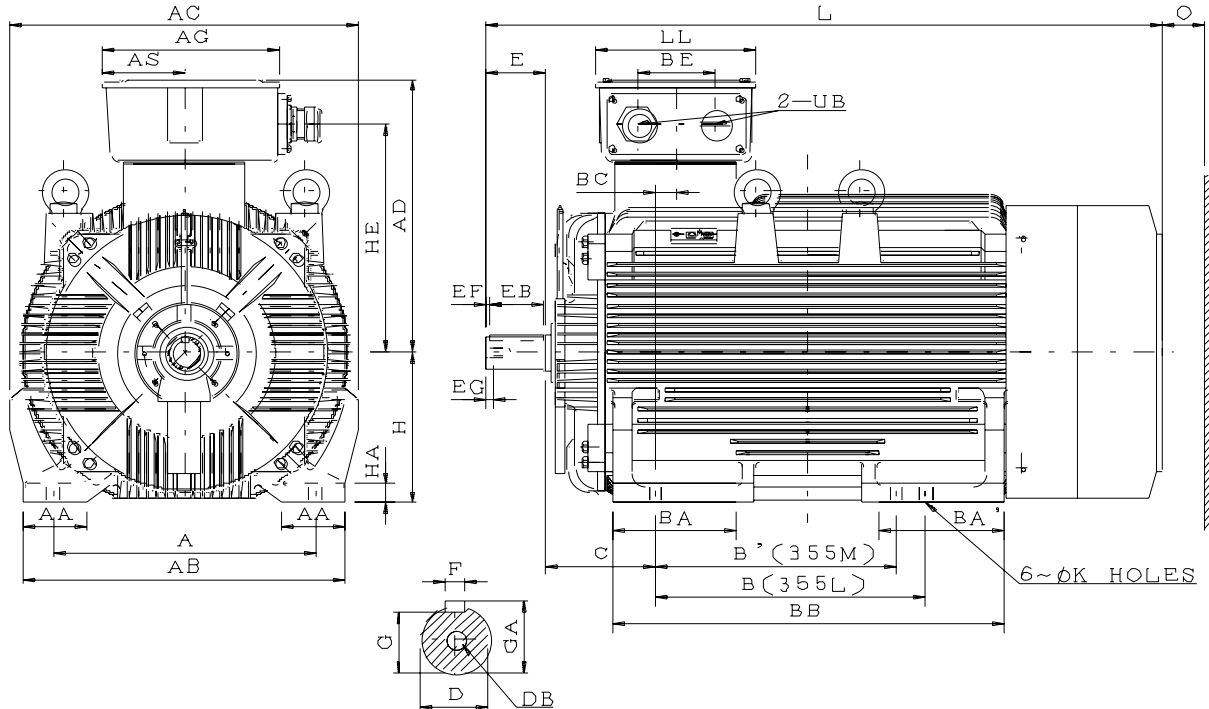
MODEL  
**AEEV1H**

REVISED  
17-Dec-12

IE2 EFFICIENCY 3-PHASE INDUCTION MOTORS  
B3 (IM 1001) FRAME NOS. 280S ~ 355L

PAGE  
13 of 65

Totally Enclosed Fan - Cooled Type, Squirrel - Cage Rotor.



Dimension in mm

Output (kW)			FRAME SIZE	A	AA	AB	AC	AD	AG	AS	B	B'	BA	BA'	BB	BC	BE	C	H	HA
2P	4P	6P																		
250	---	---	355MA	610	150	750	810	645	412	189	---	560	330	330	910	48	180	254	355	45
---	250	200	355MB	610	150	750	810	645	412	189	---	560	330	330	910	48	180	254	355	45
315	---	---	355LA	610	150	750	810	645	412	189	630	---	330	330	910	48	180	254	355	45
---	315	250	355LB	610	150	750	810	645	412	189	630	---	330	330	910	48	180	254	355	45

FRAME SIZE	HE	K	L	LL	O	UB	SHAFT EXTENSION										BEARING	
							D	E	EB	EF	EG	F	G	GA	DB	DRIVE END	OPPOSITE DRIVE END	
355MA	540	28	1575	372	230	M72X2	75	140	125	7.5	40	20	67.5	79.5	M20	6318C3	6318C3	
355MB	540	28	1605	372	230	M72X2	95	170	160	5	48	25	86	100	M24	6322C3	6322C3	
355LA	540	28	1575	372	230	M72X2	75	140	125	7.5	40	20	67.5	79.5	M20	6318C3	6318C3	
355LB	540	28	1605	372	230	M72X2	95	170	160	5	48	25	86	100	M24	6322C3	6322C3	

- Note :**
1. Tolerance of Shaft End Diameter D : m6
  2. Tolerance of Shaft Center Height H : +0, -1
  3. Tolerance of Key Width F : h9

APPD.	Ben Yang	25-Sep-12
CHKD.	J.LIU	25-Sep-12
DWN.	S.CAO	25-Sep-12

**TECO Electric & Machinery Co., Ltd.**  
Wuxi, China

DWG NO.  
**3W049U305**  
Rev. 02 5/5

ISSUED  
25-Sep-12

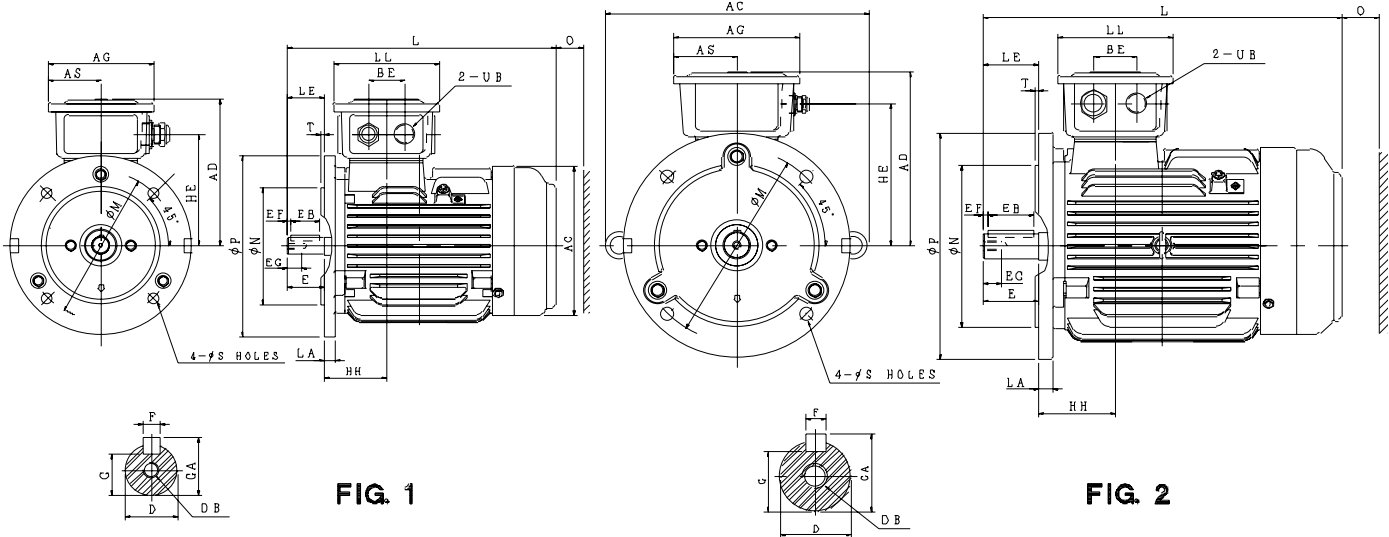
REVISED  
17-Nov-12

# OUTLINE DIMENSIONS SHEET

IE2 EFFICIENCY 3-PHASE INDUCTION MOTORS  
B5 (IM 3001) FRAME NOS. 80M ~ 112M

MODEL  
**AEUV1H**  
PAGE  
14 of 65

Totally Enclosed Fan-Cooled Type, Squirrel-Cage Rotor.



Dimension in mm

Output (kW)				FRAME SIZE	FIG. NO.	FLANGE DIMENSION							AC	AD	AG	AS	BE	HE	HH	L
2P	4P	6P	---			LA	LE	M	N	P	S	T								
0.75	0.55	0.37	---	80M	1	12	40	165	130	200	12	3.5	177	163	125	67.5	40	123.5	68.5	293
1.1	0.75	0.55	---			12	40	165	130	200	12	3.5	177	163	125	67.5	40	123.5	68.5	293
1.5	1.1	0.75	---	90S	2	12	50	165	130	200	12	3.5	271	173	125	67.5	40	133.5	92	344.5
2.2	1.5	1.1	---	90L		12	50	165	130	200	12	3.5	271	173	125	67.5	40	133.5	92	369.5
3	2.2	1.5	---	100L		16	60	215	180	250	14.5	4	288.5	193	147	78.5	50	157	84	392
---	3	---	---	112M		15	60	215	180	250	14.5	4	306.5	200.5	147	78.5	50	164.5	98	412.5

FRAME SIZE	LL	O	UB	SHAFT EXTENSION									BEARING	
				D	E	EB	EF	EG	F	G	GA	DB	DRIVE END	OPPOSITE DRIVE END
80M	115	40	M20X1.5	19	40	32	4	16	6	15.5	21.5	M6	6204ZZ	6204ZZ
90S	115	40	M20X1.5	24	50	40	5	19	8	20	27	M8	6205ZZ	6205ZZ
90L	115	40	M20X1.5	24	50	40	5	19	8	20	27	M8	6205ZZ	6205ZZ
100L	125	50	M25X1.5	28	60	50	5	22	8	24	31	M10	6206ZZ	6206ZZ
112M	125	50	M25X1.5	28	60	50	5	22	8	24	31	M10	6306ZZ	6306ZZ

**Note :** 1. Tolerance of shaft end diameter D : Under  $\phi 19 \sim \phi 28$  : j6 ;  
2. Tolerance of N : j6.

APPD.	H.C.YAN	25-Sep-12	<b>TECO Electric &amp; Machinery Co., Ltd.</b> <b>Wuxi, China</b>	DWG NO.	<b>32057R9249</b>
CHKD.	SHITOU	25-Sep-12		Rev. 01	
DWN.	TDY	25-Sep-12		1/4	



ISSUED  
25-Sep-12

# OUTLINE DIMENSIONS SHEET

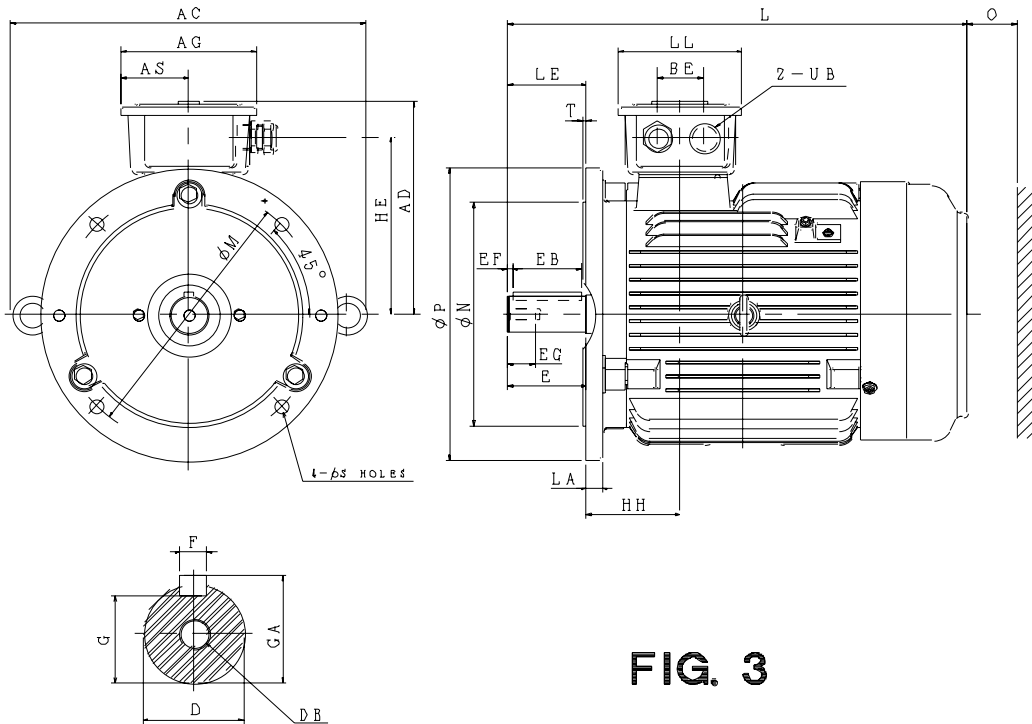
MODEL  
**AEUV1H**

REVISED  
17-Nov-12

IE2 EFFICIENCY 3-PHASE INDUCTION MOTORS  
B5 (IM 3001) FRAME NOS. 132S ~ 132M

PAGE  
15 of 65

Totally Enclosed Fan-Cooled Type, Squirrel-Cage Rotor.



**FIG. 3**

Dimension in mm

Output (kW)				FRAME SIZE	FIG. NO.	FLANGE DIMENSION							AC	AD	AG	AS	BE	HE	HH	L	LL	O
2P	4P	6P	---			LA	LE	M	N	P	S	T										
5.5	5.5	3	---	132S	3	16	80	265	230	300	14.5	4	360	218	147	78.5	50	182	95	466	125	50
7.5	---	---	---			16	80	265	230	300	14.5	4	360	218	147	78.5	50	182	95	504	125	50
---	7.5	4	---	132M		16	80	265	230	300	14.5	4	360	218	147	78.5	50	182	95	504	125	50
---	---	5.5	---			16	80	265	230	300	14.5	4	360	218	147	78.5	50	182	95	504	125	50

FRAME SIZE	UB	SHAFT EXTENSION									BEARING	
		D	E	EB	EF	EG	F	G	GA	DB	DRIVE END	OPPOSITE DRIVE END
132S	M25X1.5	38	80	70	5	28	10	33	41	M12	6308ZZ	6306ZZ
132M	M25X1.5	38	80	70	5	28	10	33	41	M12	6308ZZ	6306ZZ

**Note :** 1. Tolerance of shaft end diameter D :  $\phi 38:k6$ .  
2. Tolerance of N : j6.

APPD.	H.C.YAN	25-Sep-12
CHKD.	SHITOU	25-Sep-12
DWN.	TDY	25-Sep-12

**TECO Electric & Machinery Co., Ltd.**  
Wuxi, China

DWG NO.  
**32057R9249**  
Rev. 01 2/4

ISSUED  
25-Sep-12

REVISED  
17-Nov-12

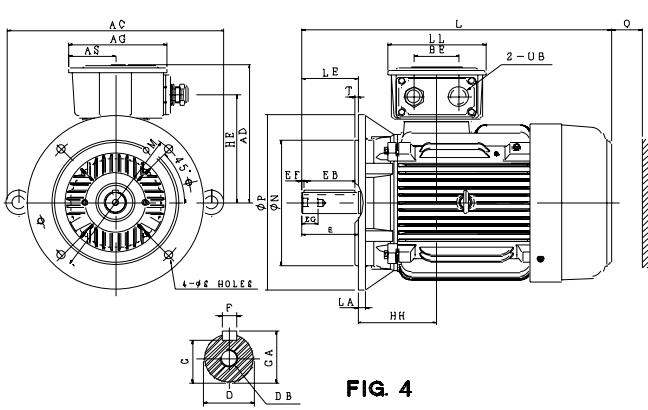
# OUTLINE DIMENSIONS SHEET

IE2 EFFICIENCY 3-PHASE INDUCTION MOTORS  
B5 (IM 3001) FRAME NOS. 160M ~ 180L

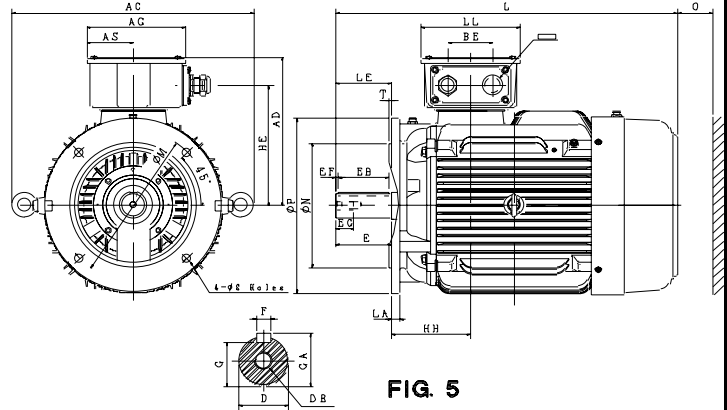
MODEL  
**AEUV1H**

PAGE  
16 of 65

Totally Enclosed Fan-Cooled Type, Squirrel-Cage Rotor.



**FIG. 4**



**FIG. 5**

Dimension in mm

Output (kW)				FRAME SIZE	FIG. NO.	FLANGE DIMENSION								AC	AD	AG	AS	BE	HE	HH	L	LL	O
2P	4P	6P	---			LA	LE	M	N	P	S	T											
11	11	7.5	---	160M	4	15	110	300	250	350	18.5	5	427	273	193	91.5	89	215	155	608	193	60	
15	---	---	---	160L		15	110	300	250	350	18.5	5	427	273	193	91.5	89	215	155	652	193	60	
22	18.5	---	---	180M	5	15	110	300	250	350	18.5	5	476	299	193	91.5	89	241	160	672	193	70	
---	22	15	---	180L		15	110	300	250	350	18.5	5	476	299	193	91.5	89	241	160	710	193	70	

FRAME SIZE	UB	SHAFT EXTENSION									BEARING	
		D	E	EB	EF	EG	F	G	GA	DB	DRIVE END	OPPOSITE DRIVE END
160M	M32X1.5	42	110	100	5	36	12	37	45	M16	6309ZZ	6307ZZ
160L	M32X1.5	42	110	100	5	36	12	37	45	M16	6309ZZ	6307ZZ
180M	M32X1.5	48	110	100	5	36	14	42.5	51.5	M16	(6311C3)	(6310C3)
180L	M32X1.5	48	110	100	5	36	14	42.5	51.5	M16	6311	6310

- Note :**
1. Tolerance of shaft end diameter D :  $\phi 42 \sim \psi 48 : k6$ .
  2. Tolerance of N : j6
  3. Bearing No. In ( ) is for 2P.

APPD.	H.C.YAN	25-Sep-12
CHKD.	SHITOU	25-Sep-12
DWN.	TDY	25-Sep-12

**TECO Electric & Machinery Co., Ltd.**  
**Wuxi, China**

DWG NO.  
**32057R9249**  
Rev. 01 3/4

ISSUED  
25-Sep-12

# OUTLINE DIMENSIONS SHEET

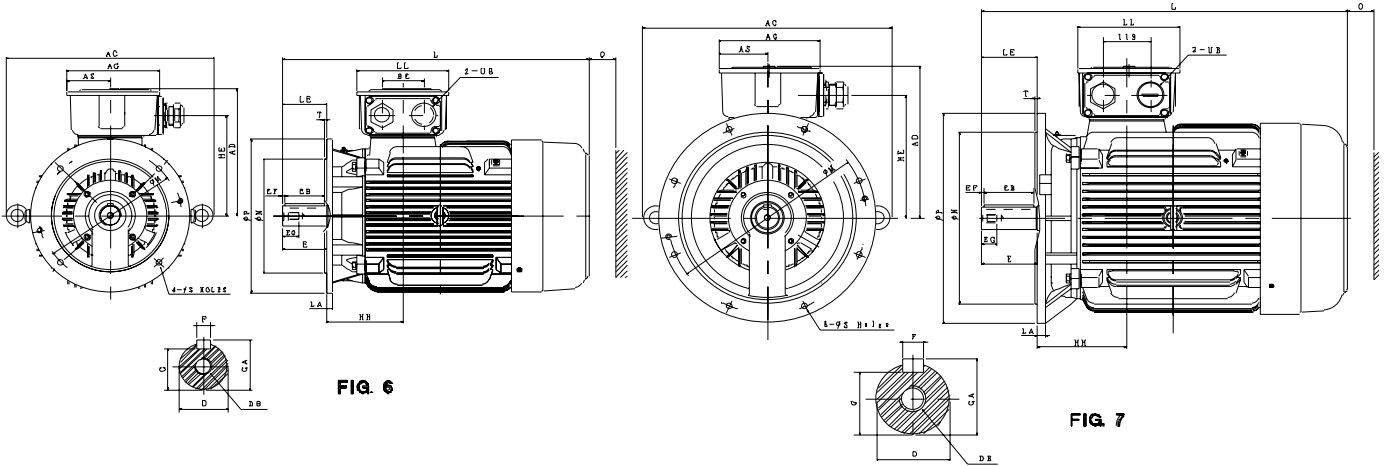
MODEL  
**AEUV1H**

REVISED  
17-Nov-12

IE2 EFFICIENCY 3-PHASE INDUCTION MOTORS  
B5 (IM 3001) FRAME NOS. 200L ~ 250M

PAGE  
17 of 65

Totally Enclosed Fan-Cooled Type, Squirrel-Cage Rotor.



Dimension in mm

Output (kW)				FRAME SIZE	FIG. NO.	FLANGE DIMENSION							AC	AD	AG	AS	BE	HE	HH	L
2P	4P	6P	---			LA	LE	M	N	P	S	T								
30 37	30	18.5 22	---	200L	6	17	110	350	300	400	18.5	5	524	332	231	110.5	106	262	193	770
---	37	---	---	225SC	7	20	140	400	350	450	18.5	5	574	358	231	110.5	106	288	186.5	816
45	---	---	---	225MA		20	110	400	350	450	18.5	5	574	358	231	110.5	106	288	186.5	811
---	45	30	---	225MC		20	140	400	350	450	18.5	5	574	358	231	110.5	106	288	186.5	841
55	---	---	---	250MA		22	140	500	450	550	18.5	5	642	400	255	122.5	119	322	225.5	921
---	55	37	---	250MC		22	140	500	450	550	18.5	5	642	400	255	122.5	119	322	225.5	921

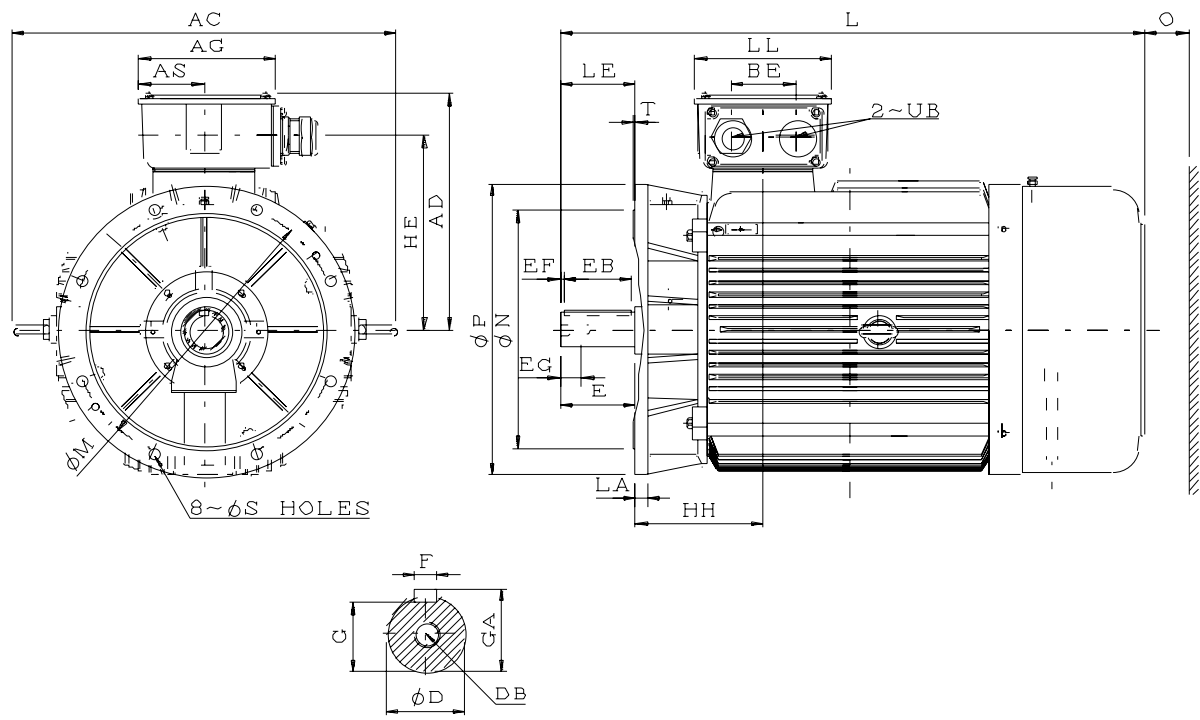
FRAME SIZE	LL	O	UB	SHAFT EXTENSION								BEARING		
				D	E	EB	EF	EG	F	G	GA	DB	DRIVE END	OPPOSITE DRIVE END
200L	231	80	M50X1.5	55	110	100	5	42	16	49	59	M20	(6312C3) 6312	(6212C3) 6212
225SC	231	90	M50X1.5	60	140	125	7.5	42	18	53	64	M20	(6312C3)	(6212C3)
225MA	231	90	M50X1.5	55	110	100	5	42	16	49	59	M20	6313	6213
225MC	231	90	M50X1.5	60	140	125	7.5	42	18	53	64	M20		
250MA	255	105	M63X1.5	60	140	125	7.5	42	18	53	64	M20	6313C3	6313C3
250MC	255	105	M63X1.5	65	140	125	7.5	42	18	58	69	M20	6315	6313

- Note :**
1. Tolerance of shaft end diameter D : Under  $\phi 55 \sim \phi 65$  : m6.
  2. Tolerance of N : j6.
  3. Bearing No. In ( ) is for 2P.

APPD.	H.C.YAN	25-Sep-12	<b>TECO Electric &amp; Machinery Co., Ltd.</b> <b>Wuxi, China</b>	DWG NO.	<b>32057R9249</b>
CHKD.	SHITOU	25-Sep-12		Rev. 01	
DWN.	TDY	25-Sep-12		4/4	

ISSUED 25-Sep-12	<b>OUTLINE DIMENSIONS SHEET</b> IE2 EFFICIENCY 3-PHASE INDUCTION MOTORS B5 (IM 3001) FRAME NOS. 280S ~ 315M	MODEL <b>AEUV1H</b>
REVISED 17-Dec-12		PAGE 18 of 65

Totally Enclosed Fan - Cooled Type, Squirrel - Cage Rotor.



Dimension in mm

Output (kW)			FRAME SIZE	FLANGE DIMENSION							AC	AD	AG	AS	BE	HE	HH	L
2P	4P	6P		LA	LE	M	N	P	S	T								
75	---	---	280SA	22	140	500	450	550	18.5	5	717	446	255	122.5	119	367	238	1037.5
---	75	45	280SB	22	140	500	450	550	18.5	5	717	446	255	122.5	119	367	238	1037.5
90	---	---	280MA	22	140	500	450	550	18.5	5	717	446	255	122.5	119	367	238	1087.5
---	90	55	280MB	22	140	500	450	550	18.5	5	717	446	255	122.5	119	367	238	1087.5

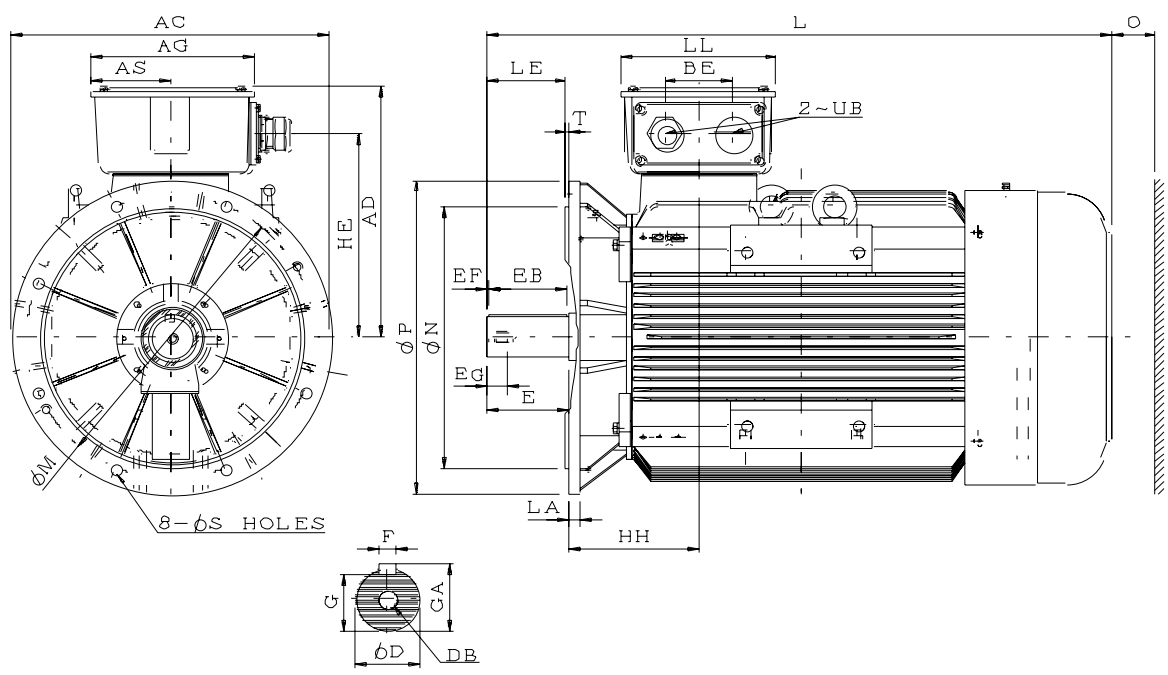
FRAME SIZE	LL	O	UB	SHAFT EXTENSION									BEARING	
				D	E	EB	EF	EG	F	G	GA	DB	DRIVE END	OPPOSITE DRIVE END
280SA	255	140	M63X1.5	65	140	125	7.5	40	18	58	69	M20	6316C3	6314C3
280SB	255	140	M63X1.5	75	140	125	7.5	40	20	67.5	79.5	M20	6318C3	6316C3
280MA	255	140	M63X1.5	65	140	125	7.5	40	18	58	69	M20	6316C3	6314C3
280MB	255	140	M63X1.5	75	140	125	7.5	40	20	67.5	79.5	M20	6318C3	6316C3

- Note :**
1. Tolerance of Shaft End Diameter D : m6
  2. Tolerance of Key Width F : h9
  3. Tolerance of N : j6

APPD.	Ben Yang	25-Sep-12	<b>TECO Electric &amp; Machinery Co., Ltd.</b> Wuxi, China	DWG NO.	<b>3W049U307</b>
CHKD.	J.LIU	25-Sep-12		Rev. 02	
DWN.	S.CAO	25-Sep-12		1/2	

ISSUED 25-Sep-12	<b>OUTLINE DIMENSIONS SHEET</b> IE2 EFFICIENCY 3-PHASE INDUCTION MOTORS B5 (IM 3001) FRAME NOS. 280S ~ 315M	MODEL <b>AEUV1H</b>
REVISED 17-Dec-12		PAGE 19 of 65

Totally Enclosed Fan - Cooled Type, Squirrel - Cage Rotor.



Dimension in mm

Output (kW)			FRAME SIZE	FLANGE DIMENSION							AC	AD	AG	AS	BE	HE	HH	L	LL	O
2P	4P	6P		LA	LE	M	N	P	S	T										
110	---	---	315SA	25	140	600	550	660	24	6	660	527	336	163	140	430	269	1216	322	180
---	110	75	315SB	25	170	600	550	660	24	6	660	527	336	163	140	430	269	1246	322	180
132 (160)	---	---	315MA	25	140	600	550	660	24	6	660	527	336	163	140	430	269	1266	322	180
---	132 (160)	90 (110)	315MB	25	170	600	550	660	24	6	660	527	336	163	140	430	269	1296	322	180

FRAME SIZE	UB	SHAFT EXTENSION										BEARING	
		D	E	EB	EF	EG	F	G	GA	DB	DRIVE END	OPPOSITE DRIVE END	
315SA	M63X1.5	65	140	125	7.5	40	18	58	69	M20	6316C3	6314C3	
315SB	M63X1.5	80	170	160	5	40	22	71	85	M20	6320C3	6316C3	
315MA	M63X1.5	65	140	125	7.5	40	18	58	69	M20	6316C3	6314C3	
315MB	M63X1.5	80	170	160	5	40	22	71	85	M20	6320C3	6316C3	

- Note :**
1. Tolerance of Shaft End Diameter D : m6
  2. Tolerance of Key Width F : h9
  3. Tolerance of N : js6
  4. Output In the Brackets for Optional Matching

APPD.	Ben Yang	25-Sep-12	<b>TECO Electric &amp; Machinery Co., Ltd.</b> Wuxi, China	DWG NO.	<b>3W049U307</b>
CHKD.	J.LIU	25-Sep-12		Rev. 02	
DWN.	S.CAO	25-Sep-12		2/2	

ISSUED

25-Sep-12

**OUTLINE DIMENSIONS SHEET**

MODEL

**AEEV1H**

REVISED

17-Dec-12

IE2 EFFICIENCY 3-PHASE INDUCTION MOTORS

PAGE

20 of 65

Totally Enclosed Fan-Cooled Type, Squirrel-Cage Rotor.

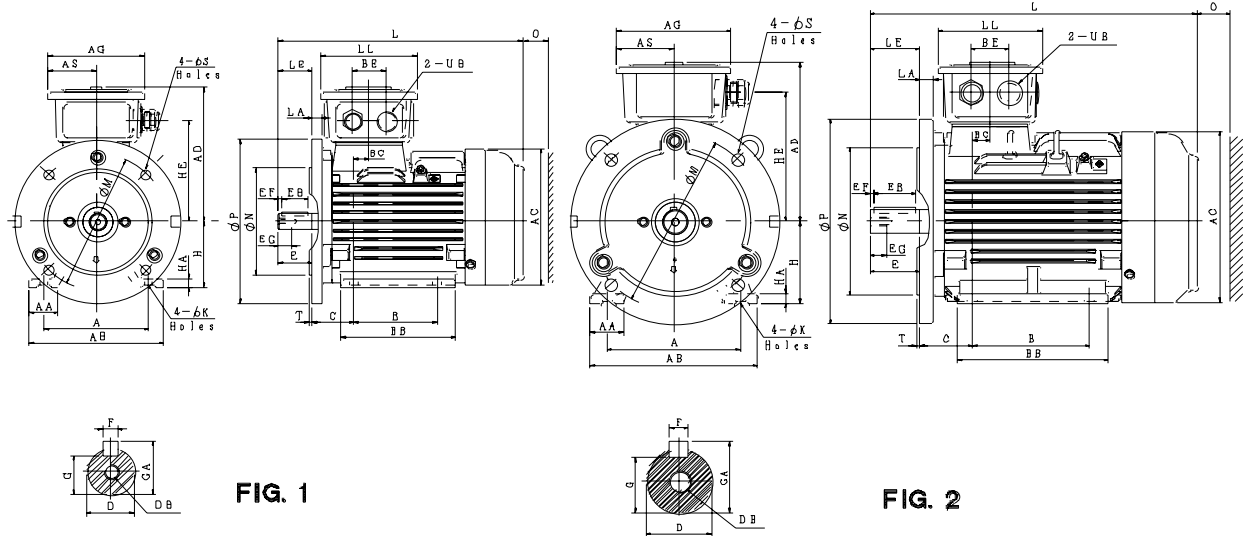


FIG. 1

FIG. 2

Dimension in mm

Output (kW)				FRAME SIZE	FIG. NO.	FLANGE DIMENSION							A	AA	AB	AC	AD	AG	AS	B	BB	BC	BE	C	H
2P	4P	6P	---			LA	LE	M	N	P	S	T													
0.75	0.55	0.37	---	80M	1	12	40	165	130	200	12	3.5	125	34.5	161	177	163	125	67.5	100	137	18.5	40	50	80
1.1	0.75	0.55	---			12	40	165	130	200	12	3.5	140	40	180	197	173	125	67.5	100	161	36	40	56	90
1.5	1.1	0.75	---	90S	2	12	50	165	130	200	12	3.5	140	40	180	197	173	125	67.5	100	161	36	40	56	90
2.2	1.5	1.1	---	90L		12	50	165	130	200	12	3.5	140	40	180	197	173	125	67.5	125	186	36	40	56	90
3	2.2	1.5	---	100L		16	60	215	180	250	14.5	4	160	40	200	219	193	147	78.5	140	181	21	50	63	100
---	3	---	---	112M		15	60	215	180	250	14.5	4	190	45	235	235	200.5	147	78.5	140	186	28	50	70	112

FRAME SIZE	HA	HE	K	L	LL	O	UB	SHAFT EXTENSION							BEARING			
								D	E	EB	EF	EG	F	G	GA	DB	DRIVE END	OPPOSITE DRIVE END
80M	10	123.5	10	293	115	40	M20x1.5	19	40	32	4	16	6	15.5	21.5	M6	6204ZZ	6204ZZ
90S	10	133.5	10	344.5	115	40	M20x1.5	24	50	40	5	19	8	20	27	M8	6205ZZ	6205ZZ
90L	10	133.5	10	369.5	115	40	M20x1.5	24	50	40	5	19	8	20	27	M8	6205ZZ	6205ZZ
100L	12	157	12	392	125	50	M25x1.5	28	60	50	5	22	8	24	31	M10	6206ZZ	6206ZZ
112M	13	164.5	12	412.5	125	50	M25x1.5	28	60	50	5	22	8	24	31	M10	6306ZZ	6306ZZ

**Note :** 1. Tolerance of shaft end diameter D : Under  $\phi 19 \sim \phi 28$  : j6.

2. Tolerance of shaft center high H : +0, -0.5.

3. Tolerance of N : j6.

APPD.	H.C.YAN	25-Sep-12
CHKD.	SHITOU	25-Sep-12
DWN.	TDY	25-Sep-12

**TECO Electric & Machinery Co., Ltd.****Wuxi, China**

DWG NO.

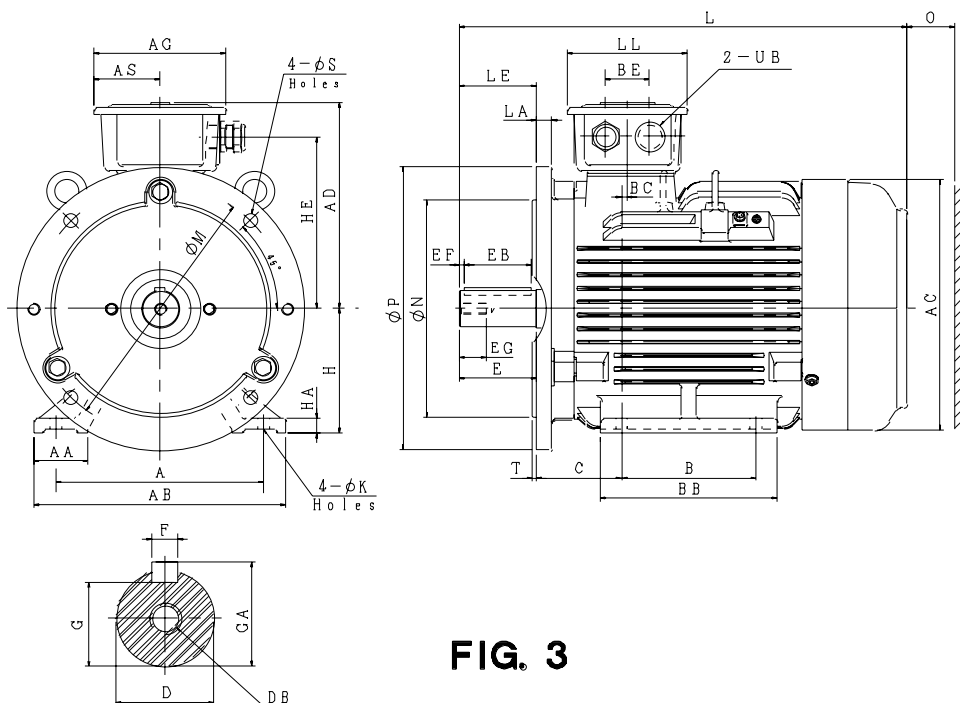
**32057R9250**

Rev. 02

1/4

ISSUED 25-Sep-12	<b>OUTLINE DIMENSIONS SHEET</b>	MODEL <b>AEEV1H</b>
REVISED 17-Dec-12		IE2 EFFICIENCY 3-PHASE INDUCTION MOTORS <b>B35 ( IM 2001 )</b> FRAME NOS. 132S ~ 132M

Totally Enclosed Fan-Cooled Type, Squirrel-Cage Rotor.



**FIG. 3**

Dimension in mm

Output (kW)				FRAME SIZE	FIG. NO.	FLANGE DIMENSION							A	AA	AB	AC	AD	AG	AS	B	BB	BC	BE	C	H	HA
2P	4P	6P	---			LA	LE	M	N	P	S	T														
5.5	5.5	3	---	132S	3	16	80	265	230	300	14.5	4	216	57	263	273	218	147	78.5	140	184	6	50	89	132	16
7.5	---	---	---			16	80	265	230	300	14.5	4	216	57	263	273	218	147	78.5	178	222	6	50	89	132	16
---	7.5	4	---	132M	3	16	80	265	230	300	14.5	4	216	57	263	273	218	147	78.5	178	222	6	50	89	132	16
---	---	5.5	---			16	80	265	230	300	14.5	4	216	57	263	273	218	147	78.5	178	222	6	50	89	132	16

FRAME SIZE	HE	K	L	LL	O	UB	SHAFT EXTENSION							BEARING			
							D	E	EB	EF	EG	F	G	GA	DB	DRIVE END	OPPOSITE DRIVE END
132S	182	12	466	125	50	M25x1.5	38	80	70	5	28	10	33	41	M12	6308ZZ	6306ZZ
132M	182	12	504	125	50	M25x1.5	38	80	70	5	28	10	33	41	M12	6308ZZ	6306ZZ

- Note :**
1. Tolerance of shaft end diameter D :  $\phi 38:k6$ .
  2. Tolerance of shaft center high H : +0, -0.5.
  3. Tolerance of N : j6.

APPD.	H.C.YAN	25-Sep-12	<b>TECO Electric &amp; Machinery Co., Ltd.</b>	DWG NO.
CHKD.	SHITOU	25-Sep-12		<b>32057R9250</b>
DWN.	TDY	25-Sep-12		Rev. 02
<b>Wuxi, China</b>				2/4

ISSUED  
25-Sep-12

# OUTLINE DIMENSIONS SHEET

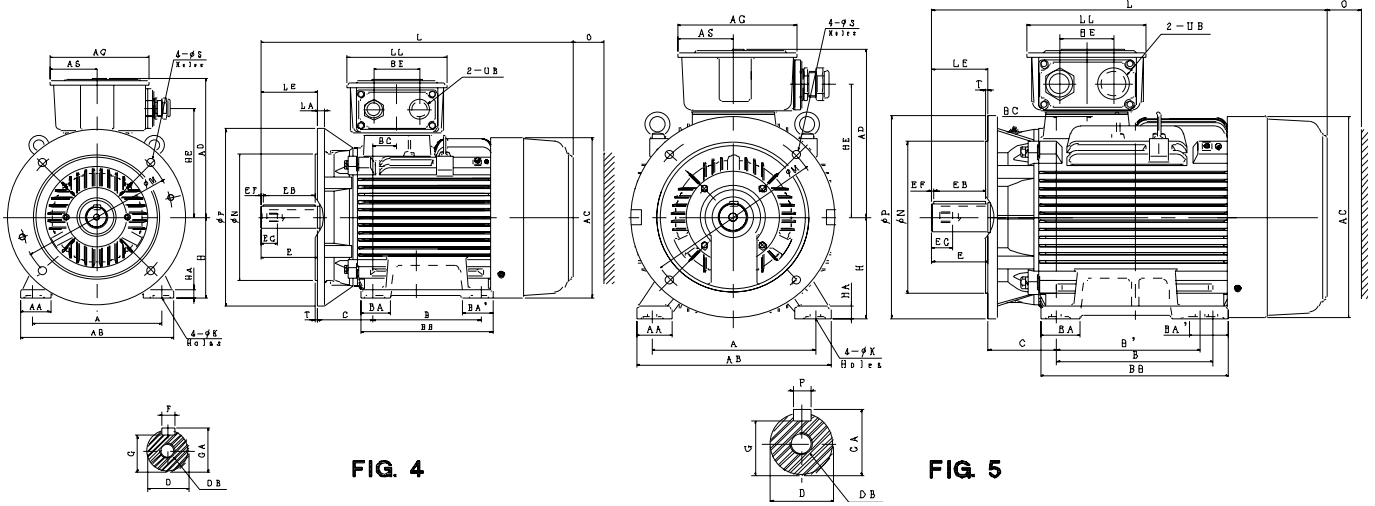
MODEL  
**AEV1H**

REVISED  
17-Dec-12

IE2 EFFICIENCY 3-PHASE INDUCTION MOTORS  
B35 (IM 2001) FRAME NOS. 160M ~ 180L

PAGE  
22 of 65

Totally Enclosed Fan-Cooled Type, Squirrel-Cage Rotor.



Dimension in mm

Output (kW)				FRAME SIZE	FIG. NO.	FLANGE DIMENSION							A	AA	AB	AC	AD	AG	AS	B	BA	BA'	BB	BC	BE
2P	4P	6P	---			LA	LE	M	N	P	S	T													
11	11	7.5	---	160M	4	15	110	300	250	350	18.5	5	254	60	300	317	273	193	91.5	210	57.5	57.5	256	38	89
15	---	---	---	160L		15	110	300	250	350	18.5	5	254	60	300	317	273	193	91.5	254	57.5	101.5	300	38	89
22	18.5	---	---	180M	5	15	110	300	250	350	18.5	5	279	65	330	354	299	193	91.5	241	62	62	292	39	89
---	22	15	---	180L		15	110	300	250	350	18.5	5	279	65	330	354	299	193	91.5	279	62	100	330	39	89

FRAME SIZE	C	H	HA	HE	K	L	LL	O	UB	SHAFT EXTENSION								BEARING		
										D	E	EB	EF	EG	F	G	GA	DB	DRIVE END	OPPOSITE DRIVE END
160M	108	160	18	215	14.5	608	193	60	M32x1.5	42	110	100	5	36	12	37	45	M16	6309ZZ	6307ZZ
160L	108	160	18	215	14.5	652	193	60	M32x1.5	42	110	100	5	36	12	37	45	M16	6309ZZ	6307ZZ
180M	121	180	20	241	14.5	672	193	70	M32x1.5	48	110	100	5	36	14	42.5	51.5	M16	(6311C3)	(6310C3)
180L	121	180	20	241	14.5	710	193	70	M32x1.5	48	110	100	5	36	14	42.5	51.5	M16	6311	6310

- Note :**
1. Tolerance of shaft end diameter D :  $\phi 42 \sim \phi 48 : k6$ .
  2. Tolerance of shaft center high H : +0, -0.5.
  3. Tolerance of N : j6.

APPD.	H.C.YAN	25-Sep-12	<b>TECO Electric &amp; Machinery Co., Ltd.</b>	DWG NO.
CHKD.	SHITOU	25-Sep-12		<b>32057R9250</b>
DWN.	TDY	25-Sep-12		Rev. 02

**Wuxi, China**

3/4



ISSUED  
25-Sep-12

# OUTLINE DIMENSIONS SHEET

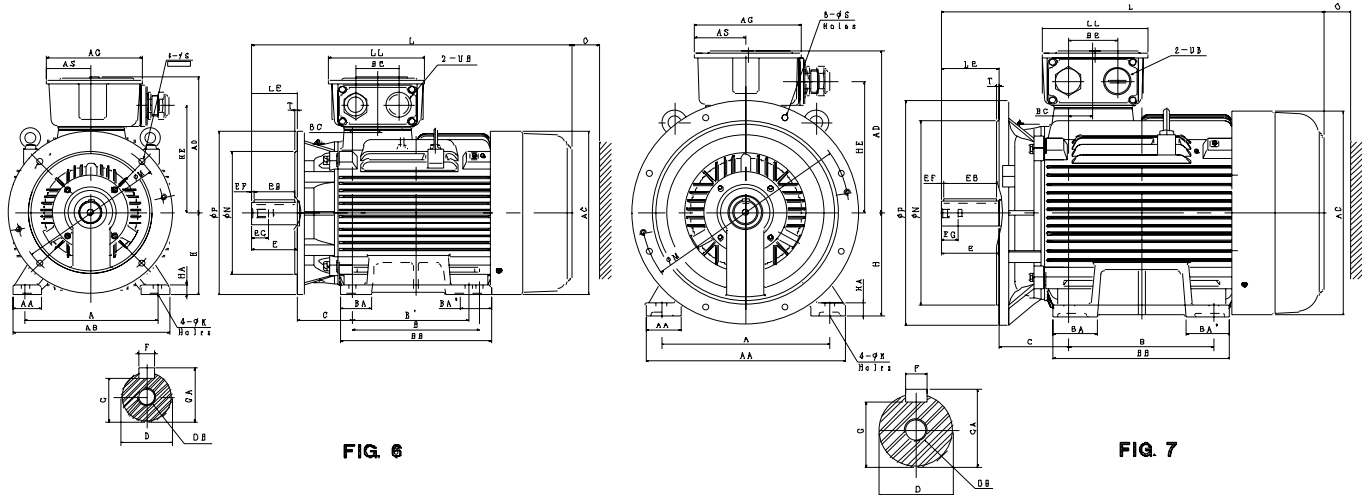
MODEL  
**AEV1H**

REVISED  
17-Dec-12

IE2 EFFICIENCY 3-PHASE INDUCTION MOTORS  
B35 (IM 2001) FRAME NOS. 200L ~ 250M

PAGE  
23 of 65

Totally Enclosed Fan-Cooled Type, Squirrel-Cage Rotor.



Dimension in mm

Output (kW)				FRAME SIZE	FIG. NO.	FLANGE DIMENSION							A	AA	AB	AC	AD	AG	AS	B	B'	BA	BA'	BB	BC
2P	4P	6P	---			LA	LE	M	N	P	S	T													
30	37	18.5	---	200L	6	17	110	350	300	400	18.5	5	318	70	378	398	332	231	110.5	305	---	76	76	365	60
---	37	---	---	225SC	7	20	140	400	350	450	18.5	5	356	75	431	449	358	231	110.5	286	---	90	90	350	37.5
45	---	---	---	225MA		20	110	400	350	450	18.5	5	356	75	431	449	358	231	110.5	311	286	90	115	375	37.5
---	45	30	---	225MC		20	140	400	350	450	18.5	5	356	75	431	449	358	231	110.5	311	286	90	115	375	37.5
55	---	---	---	250MA		22	140	500	450	550	18.5	5	406	85	480	499	400	255	122.5	349	---	105	105	425	57.5
---	55	37	---	250MC		22	140	500	450	550	18.5	5	406	85	480	499	400	255	122.5	349	---	105	105	425	57.5

FRAME SIZE	BE	C	H	HA	HE	K	L	LL	O	UB	SHAFT EXTENSION							BEARING			
											D	E	EB	EF	EG	F	G	GA	DB	DRIVE END	OPPOSITE DRIVE END
200L	106	133	200	24	262	18.5	770	231	80	M50x1.5	55	110	100	5	42	16	49	59	M20	(6312C3)	(6212C3)
225SC	106	149	225	28	288	18.5	816	231	90	M50x1.5	60	140	125	7.5	42	18	53	64	M20	(6312C3)	(6212C3)
225MA	106	149	225	28	288	18.5	811	231	90	M50x1.5	55	110	100	5	42	16	49	59	M20	6313	6213
225MC	106	149	225	28	288	18.5	841	231	90	M50x1.5	60	140	125	7.5	42	18	53	64	M20		
250MA	119	168	250	30	322	24	921	255	105	M63x1.5	60	140	125	7.5	42	18	53	64	M20	(6313C3)	(6313C3)
250MC	119	168	250	30	322	24	921	255	105	M63x1.5	65	140	125	7.5	42	18	58	69	M20	6315	6313

- Note :**
1. Tolerance of shaft end diameter D : Under  $\phi 55 \sim \phi 65$  : m6.
  2. Tolerance of shaft center high H : +0, -0.5.
  3. Bearing No. In ( ) is for 2P.

APPD.	H.C.YAN	25-Sep-12
CHKD.	SHITOU	25-Sep-12
DWN.	TDY	25-Sep-12

**TECO Electric & Machinery Co., Ltd.**  
Wuxi, China

DWG NO.  
**32057R9250**  
Rev. 02

ISSUED  
25-Sep-12

# OUTLINE DIMENSIONS SHEET

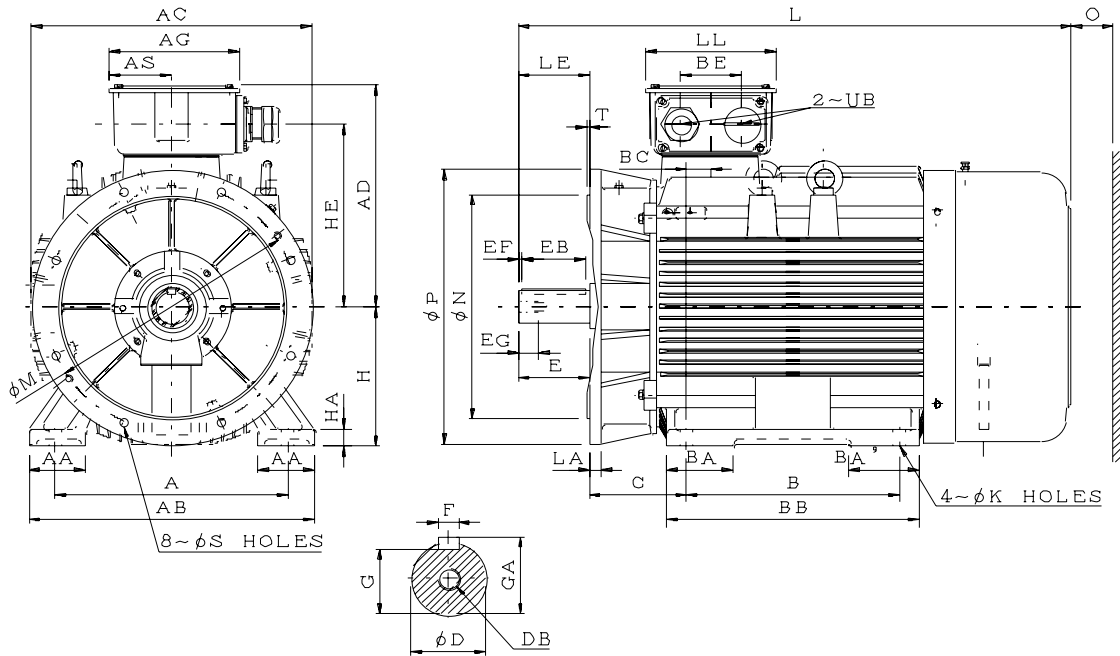
MODEL  
**AEEV1H**

REVISED  
28-Feb-13

IE2 EFFICIENCY 3-PHASE INDUCTION MOTORS  
B35 (IM 2001) FRAME NOS. 280S ~ 355L

PAGE  
24 of 65

Totally Enclosed Fan - Cooled Type, Squirrel - Cage Rotor.



Dimension in mm

Output (kW)			FRAME SIZE	FLANGE DIMENSION								A	AA	AB	AC	AD	AG	AS	B	BA	BA'	BB	BC	BE
2P	4P	6P		LA	LE	M	N	P	S	T														
75	---	---	280SA	22	140	500	450	550	18.5	5	457	110	560	550	446	255	122.5	368	110	110	445	48	119	
---	75	45	280SB	22	140	500	450	550	18.5	5	457	110	560	550	446	255	122.5	368	110	110	445	48	119	
90	---	---	280MA	22	140	500	450	550	18.5	5	457	110	560	550	446	255	122.5	419	130	137	495	48	119	
---	90	55	280MB	22	140	500	450	550	18.5	5	457	110	560	550	446	255	122.5	419	130	137	495	48	119	

FRAME SIZE	C	H	HA	HE	K	L	LL	O	UB	SHAFT EXTENSION								BEARING		
										D	E	EB	EF	EG	F	G	GA	DB	DRIVE END	OPPOSITE DRIVE END
280SA	190	280	35	367	24	1037.5	255	140	M63X1.5	65	140	125	7.5	40	18	58	69	M20	6316C3	6314C3
280SB	190	280	35	367	24	1037.5	255	140	M63X1.5	75	140	125	7.5	40	20	67.5	79.5	M20	6318C3	6316C3
280MA	190	280	35	367	24	1087.5	255	140	M63X1.5	65	140	125	7.5	40	18	58	69	M20	6316C3	6314C3
280MB	190	280	35	367	24	1087.5	255	140	M63X1.5	75	140	125	7.5	40	20	67.5	79.5	M20	6318C3	6316C3

- Note :**
1. Tolerance of Shaft End Diameter D : m6
  2. Tolerance of Key Width F : h9
  3. Tolerance of Shaft Center Height H : +0, -1
  4. Tolerance of N : j6

APPD.	Ben Yang	25-Sep-12
CHKD.	J.LIU	25-Sep-12
DWN.	S.CAO	25-Sep-12

**TECO Electric & Machinery Co., Ltd.**  
Wuxi, China

DWG NO.  
**3W049U311**  
Rev. 03 1/5

ISSUED

25-Sep-12

REVISED

28-Feb-13

# OUTLINE DIMENSIONS SHEET

IE2 EFFICIENCY 3-PHASE INDUCTION MOTORS

B35 ( IM 2001 ) FRAME NOS. 280S ~ 355L

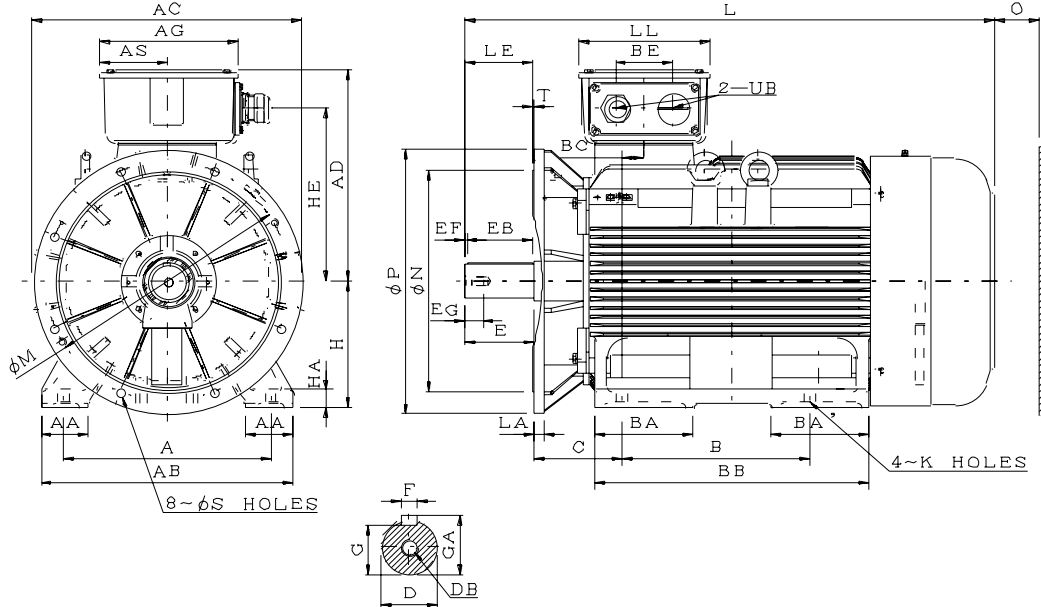
MODEL

**AEEV1H**

PAGE

25 of 65

Totally Enclosed Fan - Cooled Type, Squirrel - Cage Rotor.



Dimension in mm

Output (kW)			FRAME SIZE	FLANGE DIMENSION							A	AA	AB	AC	AD	AG	AS	B	BA	BA'	BB	BC	BE
2P	4P	6P		LA	LE	M	N	P	S	T													
110	---	---	315SA	25	140	600	550	660	24	6	508	115	615	660	527.5	336	163	406	210	210	620	53	140
---	110	75	315SB	25	170	600	550	660	24	6	508	115	615	660	527.5	336	163	406	210	210	620	53	140
132 (160)	---	---	315MA	25	140	600	550	660	24	6	508	115	615	660	527.5	336	163	457	240	240	670	53	140
---	132 (160)	90 (110)	315MB	25	170	600	550	660	24	6	508	115	615	660	527.5	336	163	457	240	240	670	53	140

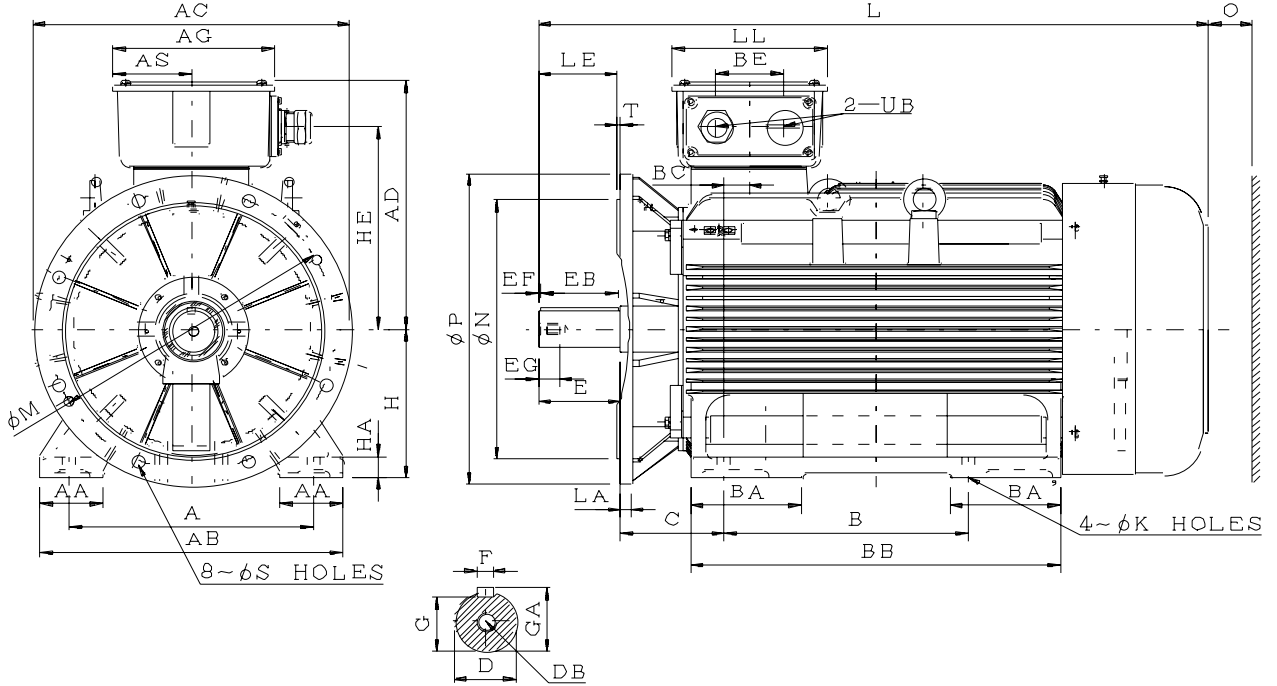
FRAME SIZE	C	H	HA	HE	K	L	LL	O	UB	SHAFT EXTENSION							BEARING			
										D	E	EB	EF	EG	F	G	GA	DB	DRIVE END	OPPOSITE DRIVE END
315SA	216	315	35	430	28	1216	322	180	M63X1.5	65	140	125	7.5	40	18	58	69	M20	6316C3	6314C3
315SB	216	315	35	430	28	1246	322	180	M63X1.5	80	170	160	5	40	22	71	85	M20	6320C3	6316C3
315MA	216	315	35	430	28	1266	322	180	M63X1.5	65	140	125	7.5	40	18	58	69	M20	6316C3	6314C3
315MB	216	315	35	430	28	1296	322	180	M63X1.5	80	170	160	5	40	22	71	85	M20	6320C3	6316C3

- Note :**
1. Tolerance of Shaft End Diameter D : m6
  2. Tolerance of Key Width F : h9
  3. Tolerance of Shaft Center Height H : +0, -1
  4. Tolerance of N : js6
  5. Output In the Brackets for Optional Matching

APPD.	Ben Yang	25-Sep-12	<b>TECO Electric &amp; Machinery Co., Ltd.</b> Wuxi, China	DWG NO.	<b>3W049U311</b> Rev. 03	2/5
CHKD.	J.LIU	25-Sep-12				
DWN.	S.CAO	25-Sep-12				

ISSUED 25-Sep-12	<h1 style="margin: 0;">OUTLINE DIMENSIONS SHEET</h1> <p style="margin: 5px 0;">IE2 EFFICIENCY 3-PHASE INDUCTION MOTORS</p> <p style="margin: 5px 0;">B35 (IM 2001) FRAME NOS. 280S ~ 355L</p>	MODEL <h2 style="margin: 0; color: red;">AEEV1H</h2>
REVISED 28-Feb-13		PAGE 26 of 65

**Totally Enclosed Fan - Cooled Type, Squirrel - Cage Rotor.**



Dimension in mm

Output (kW)			FRAME SIZE	FLANGE DIMENSION								A	AA	AB	AC	AD	AG	AS	B	BA	BA'	BB	BC	BE
2P	4P	6P		LA	LE	M	N	P	S	T														
160	---	---	315LA	25	140	600	550	660	24	6	508	130	630	660	527.5	336	163	508	230	230	770	53	140	
---	160	110 132 200 (160)	315LB	25	170	600	550	660	24	6	508	130	630	660	527.5	336	163	508	230	230	770	53	140	

FRAME SIZE	C	H	HA	HE	K	L	LL	O	UB	SHAFT EXTENSION								BEARING		
										D	E	EB	EF	EG	F	G	GA	DB	DRIVE END	OPPOSITE DRIVE END
315LA	216	315	45	430	28	1366	322	180	M63X1.5	65	140	125	7.5	40	18	58	69	M20	6316C3	6314C3
315LB	216	315	45	430	28	1396	322	180	M63X1.5	80	170	160	5	40	22	71	85	M20	6320C3	6316C3

- Note :**
1. Tolerance of Shaft End Diameter D : m6
  2. Tolerance of Key Width F : h9
  3. Tolerance of Shaft Center Height H : +0, -1
  4. Tolerance of N : js6
  5. Output In the Brackets for Optional Matching

APPD.	Ben Yang	25-Sep-12	<b>TECO Electric &amp; Machinery Co., Ltd.</b>  <b>Wuxi, China</b>	DWG NO.	<h2 style="margin: 0; color: blue;">3W049U311</h2>
CHKD.	J.LIU	25-Sep-12		Rev. 03	
DWN.	S.CAO	25-Sep-12		3/5	

ISSUED  
25-Sep-12

REVISED  
28-Feb-13

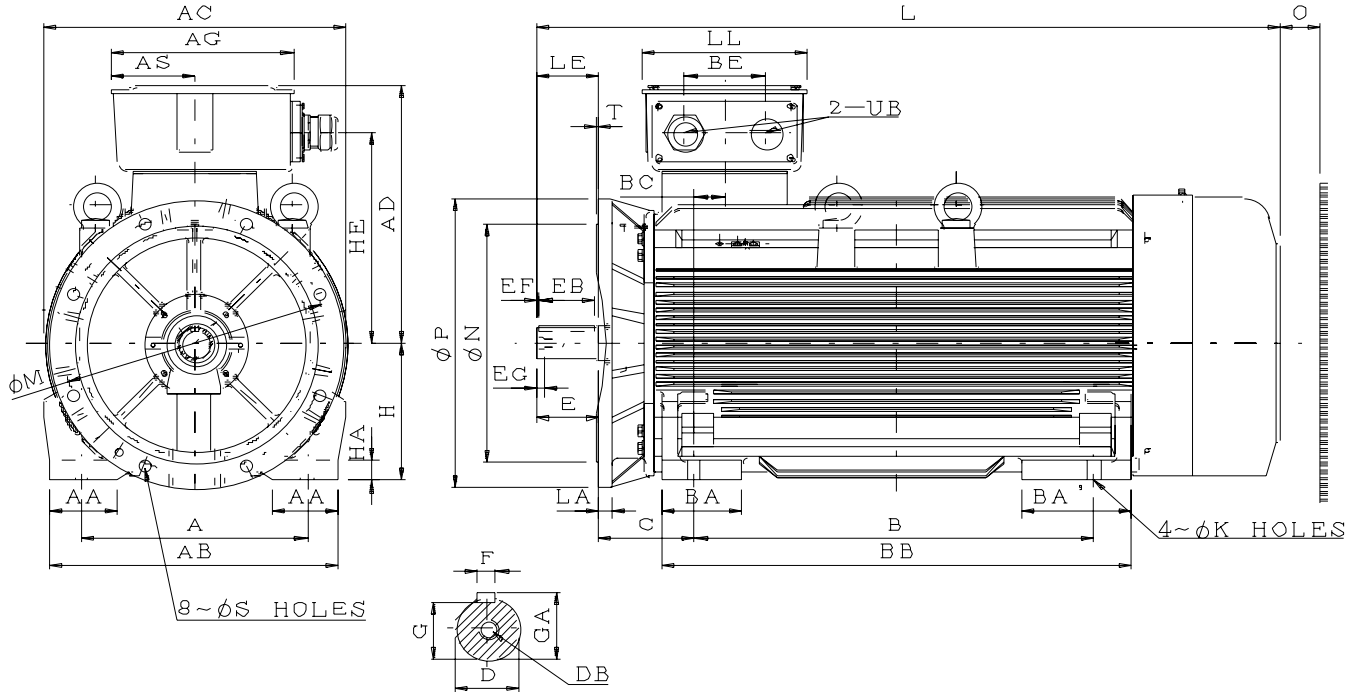
# OUTLINE DIMENSIONS SHEET

IE2 EFFICIENCY 3-PHASE INDUCTION MOTORS  
B35 (IM 2001) FRAME NOS. 280S ~ 355L

MODEL  
**AEEV1H**

PAGE  
27 of 65

Totally Enclosed Fan - Cooled Type, Squirrel - Cage Rotor.



Dimension in mm

Output (kW)			FRAME SIZE	FLANGE DIMENSION								A	AA	AB	AC	AD	AG	AS	B	BA	BA'	BB	BC	BE
2P	4P	6P		LA	LE	M	N	P	S	T														
250	---	---	315DA	30	140	600	550	660	24	6	508	150	650	682	590	412	189	900	180	250	1060	68	180	
---	250	200	315DB	30	170	600	550	660	24	6	508	150	650	682	590	412	189	900	180	250	1060	68	180	

FRAME SIZE	C	H	HA	HE	K	L	LL	O	UB	SHAFT EXTENSION								BEARING		
										D	E	EB	EF	EG	F	G	GA	DB	DRIVE END	OPPOSITE DRIVE END
315DA	216	315	45	485	28	1674	372	200	M72X2	75	140	125	7.5	40	20	67.5	79.5	M20	6316C3	6316C3
315DB	216	315	45	485	28	1704	372	200	M72X2	95	170	160	5	48	25	86	100	M24	6322C3	6322C3

- Note :**
1. Tolerance of Shaft End Diameter D : m6
  2. Tolerance of Key Width F : h9
  3. Tolerance of Shaft Center Height H : +0, -1
  4. Tolerance of N : js6

APPD.	Ben Yang	25-Sep-12
CHKD.	J.LIU	25-Sep-12
DWN.	S.CAO	25-Sep-12

**TECO Electric & Machinery Co., Ltd.**  
Wuxi, China

DWG NO.  
**3W049U311**  
Rev. 03 4/5

ISSUED

25-Sep-12

REVISED

28-Feb-13

# OUTLINE DIMENSIONS SHEET

IE2 EFFICIENCY 3-PHASE INDUCTION MOTORS

B35 (IM 2001) FRAME NOS. 280S ~ 355L

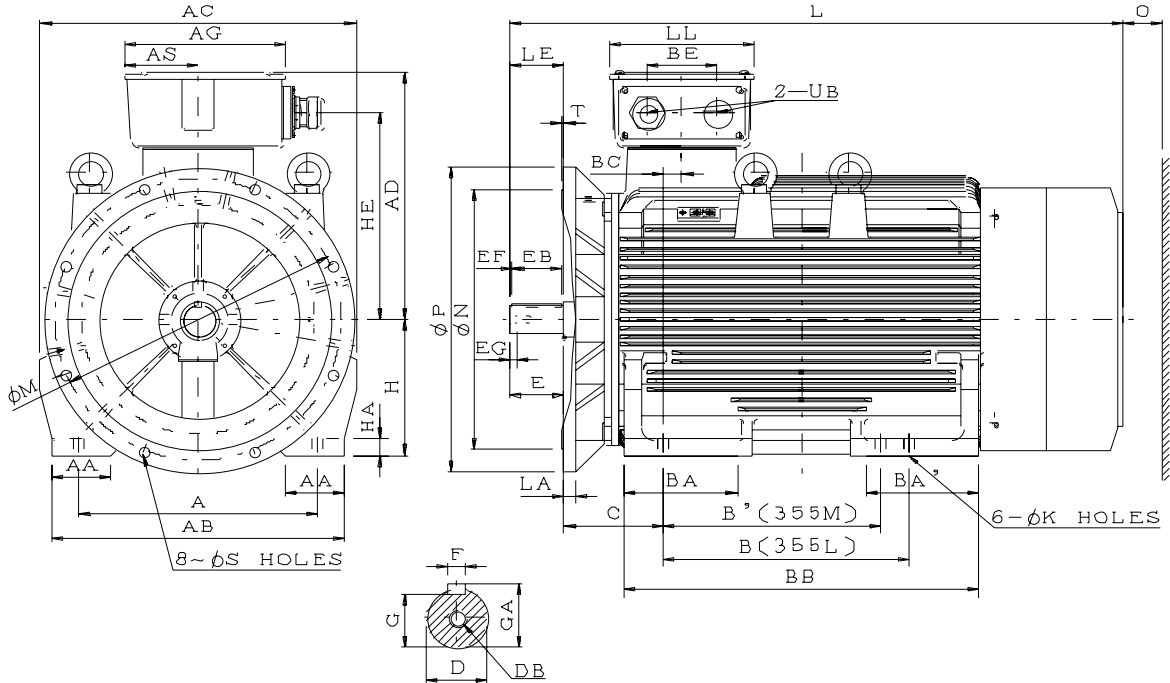
MODEL

**AEEV1H**

PAGE

28 of 65

Totally Enclosed Fan - Cooled Type, Squirrel - Cage Rotor.



Output (kW)			FRAME SIZE	FLANGE DIMENSION							A	AA	AB	AC	AD	AG	AS	B	B'	BA	BA'	BB	BC	BE
2P	4P	6P		LA	LE	M	N	P	S	T														
250	---	---	355MA	30	140	740	680	800	24	6	610	150	750	810	645	412	189	---	560	330	330	910	48	180
---	250	200	355MB	30	170	740	680	800	24	6	610	150	750	810	645	412	189	---	560	330	330	910	48	180
315	---	---	355LA	30	140	740	680	800	24	6	610	150	750	810	645	412	189	630	---	330	330	910	48	180
---	315	250	355LB	30	170	740	680	800	24	6	610	150	750	810	645	412	189	630	---	330	330	910	48	180

FRAME SIZE	C	H	HA	HE	K	L	LL	O	UB	SHAFT EXTENSION								BEARING		
										D	E	EB	EF	EG	F	G	GA	DB	DRIVE END	OPPOSITE DRIVE END
355MA	254	355	45	540	28	1575	372	230	M72X2	75	140	125	7.5	40	20	67.5	79.5	M20	6318C3	6318C3
355MB	254	355	45	540	28	1605	372	230	M72X2	95	170	160	5	48	25	86	100	M24	6322C3	6322C3
355LA	254	355	45	540	28	1575	372	230	M72X2	75	140	125	7.5	40	20	67.5	79.5	M20	6318C3	6318C3
355LB	254	355	45	540	28	1605	372	230	M72X2	95	170	160	5	48	25	86	100	M24	6322C3	6322C3

- Note :**
1. Tolerance of Shaft End Diameter D : m6
  2. Tolerance of Key Width F : h9
  3. Tolerance of Shaft Center Height H : +0, -1
  4. Tolerance of N : js6

APPD.	Ben Yang	25-Sep-12	<b>TECO Electric &amp; Machinery Co., Ltd.</b> Wuxi, China	DWG NO.	<b>3W049U311</b>
CHKD.	J.LIU	25-Sep-12		Rev. 03	
DWN.	S.CAO	25-Sep-12		5/5	

ISSUED  
25-Sep-12

# OUTLINE DIMENSIONS SHEET

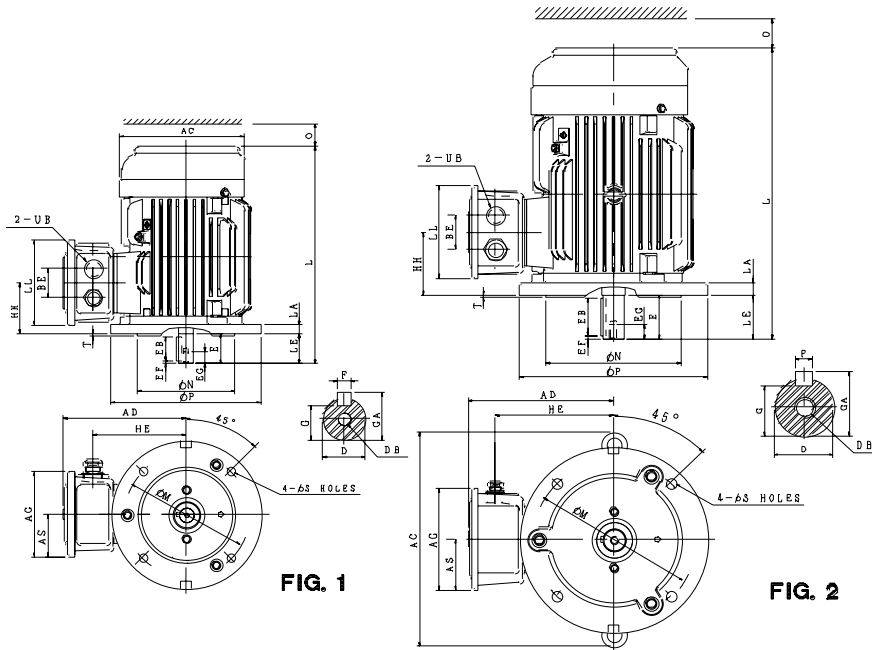
MODEL  
**AEUV1H**

REVISED  
17-Dec-12

IE2 EFFICIENCY 3-PHASE INDUCTION MOTORS  
V1 (IM3011) FRAME NOS. 80M ~ 112M

PAGE  
29 of 65

Totally Enclosed Fan-Cooled Type, Squirrel-Cage Rotor.



Dimension in mm

Output (kW)				FRAME SIZE	FIG. NO.	FLANGE DIMENSION							AC	AD	AG	AS	BE	HE	HH	L
2P	4P	6P	---			LA	LE	M	N	P	S	T								
0.75	0.55	0.37	---	80M	1	12	40	165	130	200	12	3.5	177	163	125	67.5	40	123.5	68.5	293
1.1	0.75	0.55	---			12	50	165	130	200	12	3.5	271	173	125	67.5	40	133.5	92	344.5
1.5	1.1	0.75	---	90S	2	12	50	165	130	200	12	3.5	271	173	125	67.5	40	133.5	92	369.5
2.2	1.5	1.1	---	90L		12	50	165	130	200	12	3.5	271	173	125	67.5	40	133.5	92	369.5
3	2.2	1.5	---	100L		16	60	215	180	250	14.5	4	288.5	193	147	78.5	50	157	84	392
---	3	---	---			15	60	215	180	250	14.5	4	306.5	200.5	147	78.5	50	164.5	98	412.5
4	4	2.2	---	112M		15	60	215	180	250	14.5	4	306.5	200.5	147	78.5	50	164.5	98	412.5

FRAME SIZE	LL	O	UB	SHAFT EXTENSION									BEARING	
				D	E	EB	EF	EG	F	G	GA	DB	DRIVE END	OPPOSITE DRIVE END
80M	115	40	M20X1.5	19	40	32	4	16	6	15.5	21.5	M6	6204ZZ	6204ZZ
90S	115	40	M20X1.5	24	50	40	5	19	8	20	27	M8	6205ZZ	6205ZZ
90L	115	40	M20X1.5	24	50	40	5	19	8	20	27	M8	6205ZZ	6205ZZ
100L	125	50	M25X1.5	28	60	50	5	22	8	24	31	M10	6206ZZ	6206ZZ
112M	125	50	M25X1.5	28	60	50	5	22	8	24	31	M10	6306ZZ	6306ZZ

**Note :** 1. Tolerance of shaft end diameter D : Under  $\phi 19 \sim \phi 28$  : j6 ;  
2. Tolerance of N : j6.

APPD.	H.C.YAN	25-Sep-12	TECO Electric & Machinery Co., Ltd. Wuxi, China	DWG NO.	<b>32057R9251</b>
CHKD.	SHITOU	25-Sep-12		Rev. 02	
DWN.	TDY	25-Sep-12		1/4	

ISSUED  
25-Sep-12

# OUTLINE DIMENSIONS SHEET

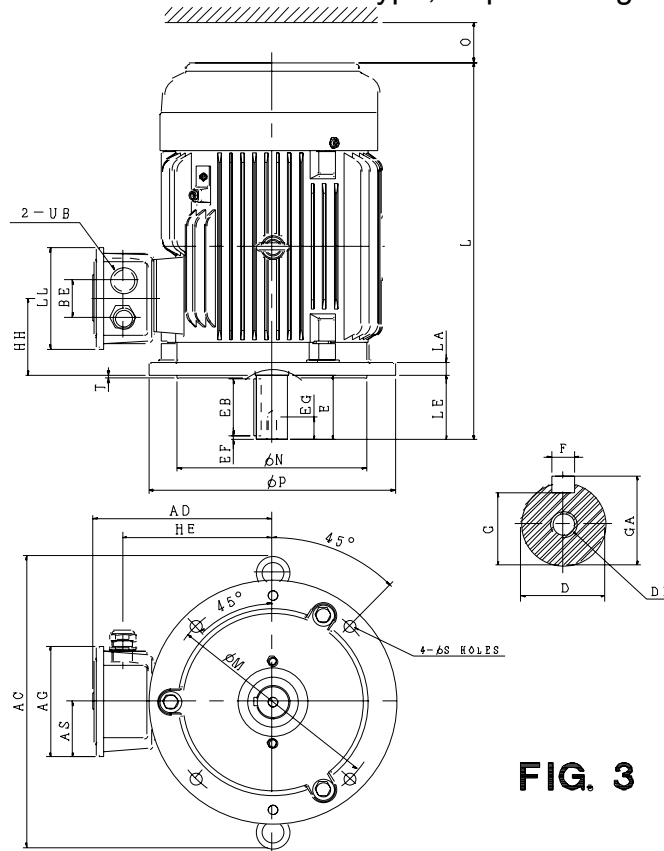
MODEL  
**AEUV1H**

REVISED  
17-Dec-12

IE2 EFFICIENCY 3-PHASE INDUCTION MOTORS  
V1 (IM 3011) FRAME NOS. 132S ~ 132M

PAGE  
30 of 65

Totally Enclosed Fan-Cooled Type, Squirrel-Cage Rotor.



**FIG. 3**

Dimension in mm

Output (kW)				FRAME SIZE	FIG. NO.	FLANGE DIMENSION								AC	AD	AG	AS	BE	HE	HH	L	LL	O
2P	4P	6P	---			LA	LE	M	N	P	S	T											
5.5	5.5	3	---	132S	3	16	80	265	230	300	14.5	4	360	218	147	78.5	50	182	95	466	125	50	
7.5	---	---	---			16	80	265	230	300	14.5	4	360	218	147	78.5	50	182	95	504	125	50	
---	7.5	4	---	132M	3	16	80	265	230	300	14.5	4	360	218	147	78.5	50	182	95	504	125	50	
---	---	5.5	---			16	80	265	230	300	14.5	4	360	218	147	78.5	50	182	95	504	125	50	

FRAME SIZE	UB	SHAFT EXTENSION										BEARING	
		D	E	EB	EF	EG	F	G	GA	DB	DRIVE END	OPPOSITE DRIVE END	
132S	M25X1.5	38	80	70	5	28	10	33	41	M12	6308ZZ	6306ZZ	
132M	M25X1.5	38	80	70	5	28	10	33	41	M12	6308ZZ	6306ZZ	

- Note :**
1. Tolerance of shaft end diameter D :  $\phi 38:k6$ .
  2. Tolerance of N : j6.

APPD.	H.C.YAN	25-Sep-12
CHKD.	SHITOU	25-Sep-12
DWN.	TDY	25-Sep-12

**TECO Electric & Machinery Co., Ltd.**  
**Wuxi, China**

DWG NO.  
**32057R9251**  
Rev. 02 2/4



ISSUED  
25-Sep-12

REVISED  
17-Dec-12

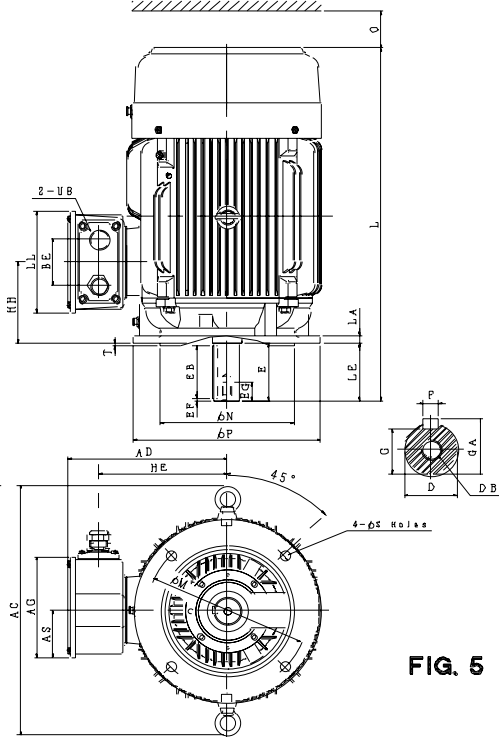
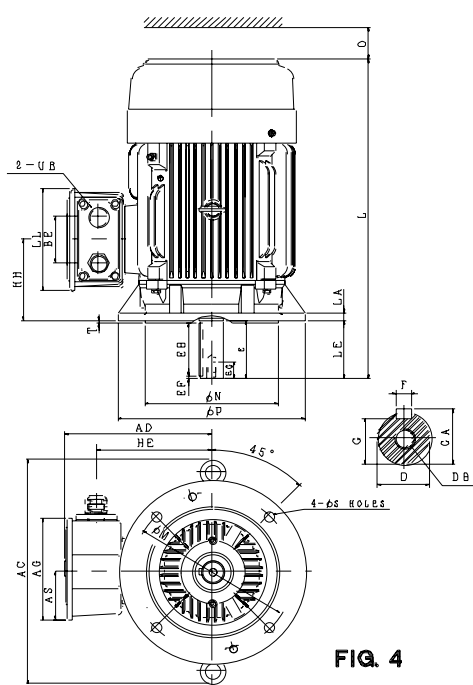
# OUTLINE DIMENSIONS SHEET

IE2 EFFICIENCY 3-PHASE INDUCTION MOTORS  
V1 (IM 3011) FRAME NOS. 160M ~ 180L

MODEL  
**AEUV1H**

PAGE  
31 of 65

Totally Enclosed Fan-Cooled Type, Squirrel-Cage Rotor.



Dimension in mm

Output (kW)				FRAME SIZE	FIG. NO.	FLANGE DIMENSION							AC	AD	AG	AS	BE	HE	HH	L	LL	O
2P	4P	6P	---			LA	LE	M	N	P	S	T										
11	11	7.5	---	160M	4	15	110	300	250	350	18.5	5	427	273	193	91.5	89	215	155	608	193	60
15	15	11	---	160L		15	110	300	250	350	18.5	5	427	273	193	91.5	89	215	155	652	193	60
4	18.5	---	---	180M	5	15	110	300	250	350	18.5	5	476	299	193	91.5	89	241	160	672	193	70
---	22	15	---	180L		15	110	300	250	350	18.5	5	476	299	193	91.5	89	241	160	710	193	70

FRAME SIZE	UB	SHAFT EXTENSION								BEARING		
		D	E	EB	EF	EG	F	G	GA	DB	DRIVE END	OPPOSITE DRIVE END
160M	M32x 1.5	42	110	100	5	36	12	37	45	M16	6309ZZ	6307ZZ
160L	M32 x 1.5	42	110	100	5	36	12	37	45	M16	6309ZZ	6307ZZ
180M	M32 x 1.5	48	110	100	5	36	14	42.5	51.5	M16	(6311C3)	(6310C3)
180L	M32 x 1.5	48	110	100	5	36	14	42.5	51.5	M16	6311	6310

- Note :**
1. Tolerance of shaft end diameter D : Under  $\phi 42 \sim \phi 48$  : k6.
  2. Tolerance of N : j6.
  3. Bearing No. In ( ) is for 2P.

APPD.	H.C.YAN	25-Sep-12
CHKD.	SHITOU	25-Sep-12
DWN.	TDY	25-Sep-12

**TECO Electric & Machinery Co., Ltd.**  
**Wuxi, China**

DWG NO.  
**32057R9251**  
Rev. 02 3/4

ISSUED

25-Sep-12

REVISED

17-Dec-12

**OUTLINE DIMENSIONS SHEET**

IE2 EFFICIENCY 3-PHASE INDUCTION MOTORS

V1 (IM 3011) FRAME NOS. 200L ~ 250M

MODEL

**AEUV1H**

PAGE

32 of 65

Totally Enclosed Fan-Cooled Type, Squirrel-Cage Rotor.

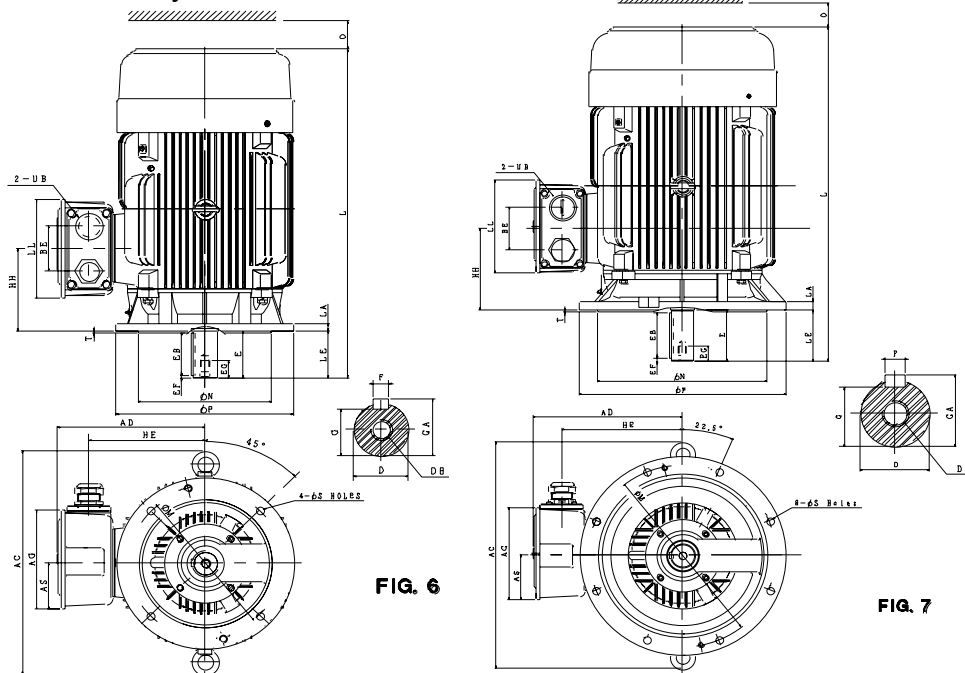


FIG. 6

FIG. 7

Dimension in mm

Output (kW)				FRAME SIZE	FIG. NO.	FLANGE DIMENSION							AC	AD	AG	AS	BE	HE	HH	L
2P	4P	6P	---			LA	LE	M	N	P	S	T								
30 37	30	18.5 22	---	200L	6	17	110	350	300	400	18.5	5	524	332	231	110.5	106	262	193	770
---	37	---	---	225SC	7	20	140	400	350	450	18.5	5	574	358	231	110.5	106	288	186.5	816
45	---	---	---	225MA		20	110	400	350	450	18.5	5	574	358	231	110.5	106	288	186.5	811
---	45	30	---	225MC		20	140	400	350	450	18.5	5	574	358	231	110.5	106	288	186.5	841
55	---	---	---	250MA		22	140	500	450	550	18.5	5	642	400	255	122.5	119	322	225.5	921
---	55	37	---	250MC		22	140	500	450	550	18.5	5	642	400	255	122.5	119	322	225.5	921

FRAME SIZE	LL	O	UB	SHAFT EXTENSION									BEARING	
				D	E	EB	EF	EG	F	G	GA	DB	DRIVE END	OPPOSITE DRIVE END
200L	231	80	M50 x 1.5	55	110	100	5	42	16	49	59	M20	(6312C3) 6312	(6212C3) 6212
225SC	231	90	M50 x 1.5	60	140	125	7.5	42	18	53	64	M20	(6312C3)	(6212C3)
225MA	231	90	M50 x 1.5	55	110	100	5	42	16	49	59	M20	6313	6213
225MC	231	90	M50 x 1.5	60	140	125	7.5	42	18	53	64	M20		
250MA	255	105	M63 x 1.5	60	140	125	7.5	42	18	53	64	M20	(6313C3)	(6313C3)
250MC	255	105	M63 x 1.5	65	140	125	7.5	42	18	58	69	M20	6315	6313

- Note :** 1. Tolerance of shaft end diameter D : Under  $\phi 55 \sim \phi 65$  : m6.  
2. Tolerance of N : j6 3. Bearing No. In ( ) is for 2P.

APPD.	H.C.YAN	25-Sep-12
CHKD.	SHITOU	25-Sep-12
DWN.	TDY	25-Sep-12

TECO Electric &amp; Machinery Co., Ltd.

Wuxi, China

DWG NO.

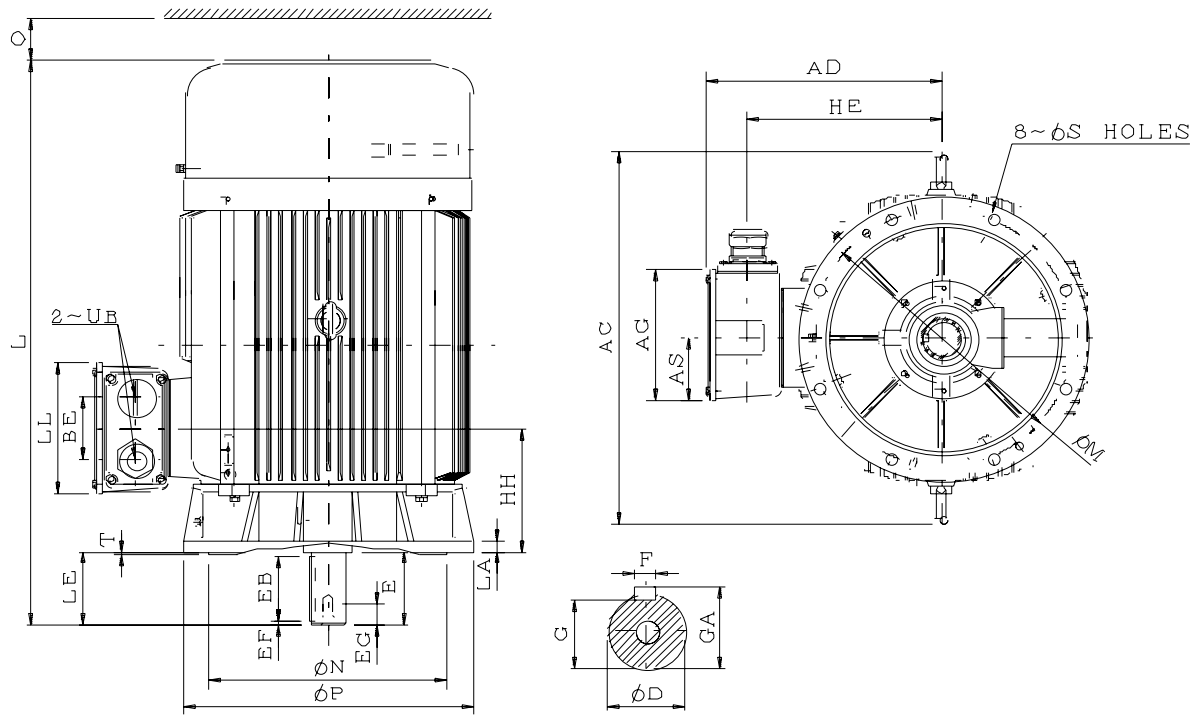
**32057R9251**

Rev. 02

4/4

ISSUED 25-Sep-12	<b>OUTLINE DIMENSIONS SHEET</b>	MODEL <b>AEUV1H</b>
REVISED 28-Feb-13		IE2 EFFICIENCY 3-PHASE INDUCTION MOTORS V1 (IM 3011) FRAME NOS. 280S ~ 355L

Totally Enclosed Fan - Cooled Type, Squirrel - Cage Rotor.



Dimension in mm

Output (kW)			FRAME SIZE	FLANGE DIMENSION							AC	AD	AG	AS	BE	HE	HH	L
2P	4P	6P		LA	LE	M	N	P	S	T								
75	---	---	280SA	22	140	500	450	550	18.5	5	717	446	255	122.5	119	367	238	1037.5
---	75	45	280SB	22	140	500	450	550	18.5	5	717	446	255	122.5	119	367	238	1037.5
90	---	---	280MA	22	140	500	450	550	18.5	5	717	446	255	122.5	119	367	238	1087.5
---	90	55	280MB	22	140	500	450	550	18.5	5	717	446	255	122.5	119	367	238	1087.5

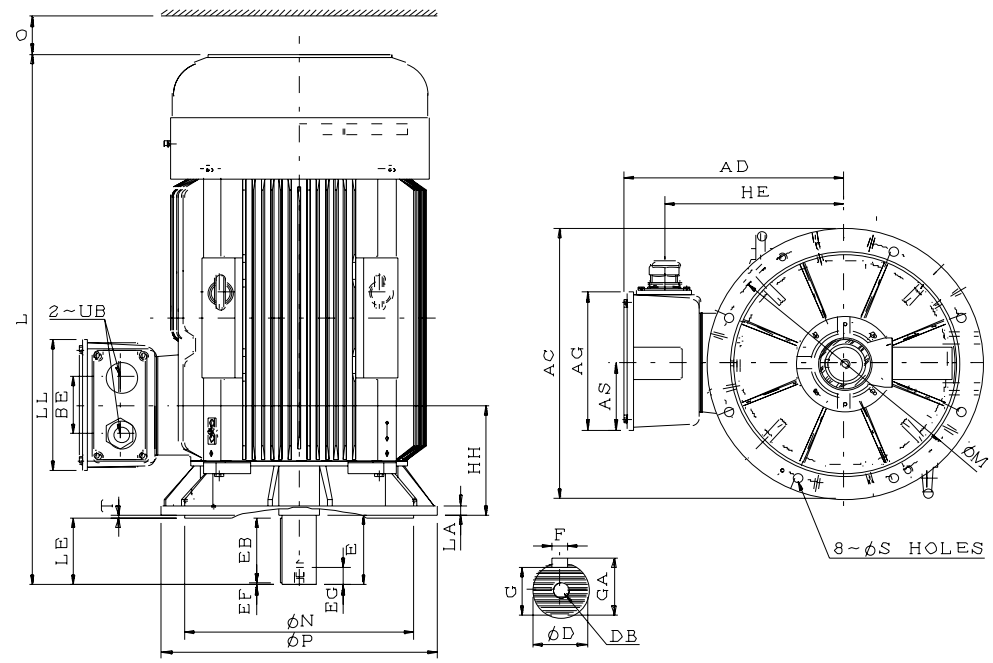
FRAME SIZE	LL	O	UB	SHAFT EXTENSION									BEARING	
				D	E	EB	EF	EG	F	G	GA	DB	DRIVE END	OPPOSITE DRIVE END
280SA	255	140	M63X1.5	65	140	125	7.5	40	18	58	69	M20	6316C3	6314C3
280SB	255	140	M63X1.5	75	140	125	7.5	40	20	67.5	79.5	M20	6318C3	6316C3
280MA	255	140	M63X1.5	65	140	125	7.5	40	18	58	69	M20	6316C3	6314C3
280MB	255	140	M63X1.5	75	140	125	7.5	40	20	67.5	79.5	M20	6318C3	6316C3

- Note :**
1. Tolerance of Shaft End Diameter D : m6
  2. Tolerance of Key Width F : h9
  3. Tolerance of N : j6

APPD.	Ben Yang	25-Sep-12	<b>TECO Electric &amp; Machinery Co., Ltd.</b>	DWG NO.	
CHKD.	J.LIU	25-Sep-12		<b>Wuxi, China</b>	<b>3W049U369</b>
DWN.	S.CAO	25-Sep-12		Rev. 03	1/5

ISSUED 25-Sep-12	<b>OUTLINE DIMENSIONS SHEET</b>	MODEL <b>AEUV1H</b>
REVISED 28-Feb-13		IE2 EFFICIENCY 3-PHASE INDUCTION MOTORS V1 (IM 3011) FRAME NOS. 280S ~ 355L

Totally Enclosed Fan - Cooled Type, Squirrel - Cage Rotor.



Dimension in mm

Output (kW)			FRAME SIZE	FLANGE DIMENSION							AC	AD	AG	AS	BE	HE	HH	L	LL	O
2P	4P	6P		LA	LE	M	N	P	S	T										
110	---	---	315SA	25	140	600	550	660	24	6	660	527	336	163	140	430	269	1216	322	180
---	110	75	315SB	25	170	600	550	660	24	6	660	527	336	163	140	430	269	1246	322	180
132 (160)	---	---	315MA	25	140	600	550	660	24	6	660	527	336	163	140	430	269	1266	322	180
---	132 (160)	90 (110)	315MB	25	170	600	550	660	24	6	660	527	336	163	140	430	269	1296	322	180

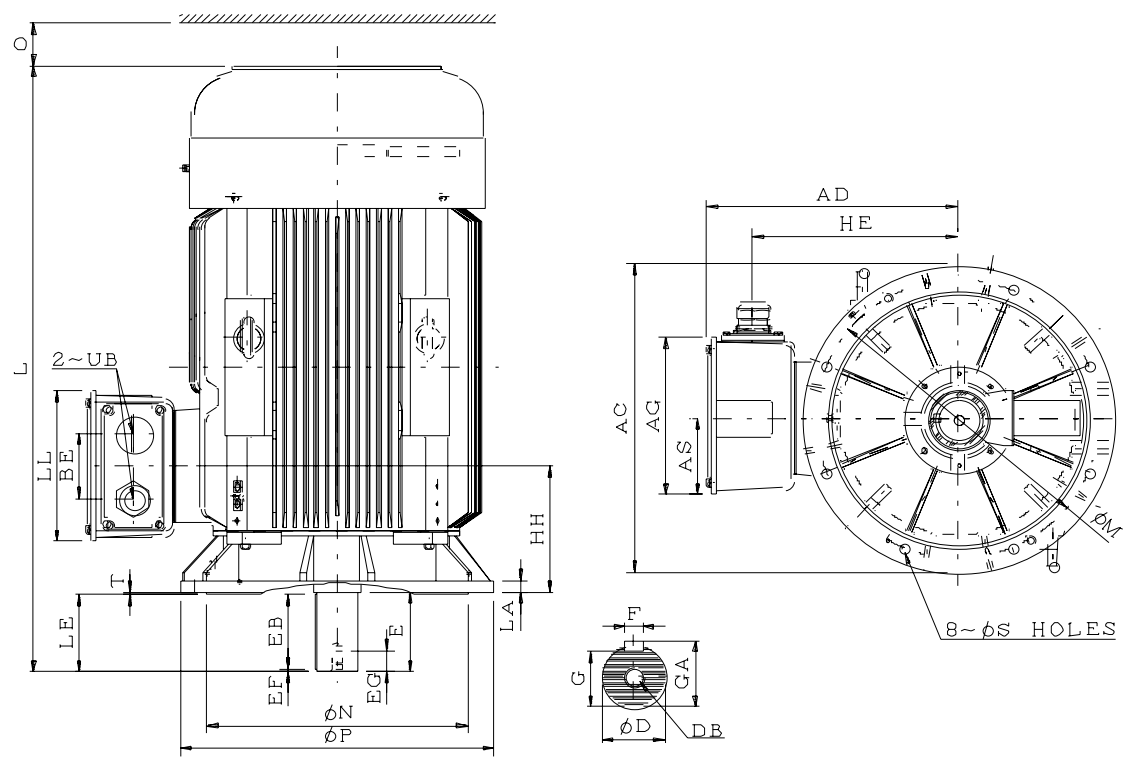
FRAME SIZE	UB	SHAFT EXTENSION									BEARING	
		D	E	EB	EF	EG	F	G	GA	DB	DRIVE END	OPPOSITE DRIVE END
315SA	M63X1.5	65	140	125	7.5	40	18	58	69	M20	7316C3	6314C3
315SB	M63X1.5	80	170	160	5	40	22	71	85	M20	6320C3	6316C3
315MA	M63X1.5	65	140	125	7.5	40	18	58	69	M20	7316C3	6314C3
315MB	M63X1.5	80	170	160	5	40	22	71	85	M20	6320C3	6316C3

- Note :**
1. Tolerance of Shaft End Diameter D : m6
  2. Tolerance of Key Width F : h9
  3. Output In the Brackets for Optional Matching
  4. Tolerance of N : js6

APPD.	Ben Yang	25-Sep-12	<b>TECO Electric &amp; Machinery Co., Ltd.</b>	DWG NO.
CHKD.	J.LIU	25-Sep-12		<b>3W049U369</b>
DWN.	S.CAO	25-Sep-12		<b>Wuxi, China</b>
				Rev. 03
				2/5

ISSUED 25-Sep-12	<b>OUTLINE DIMENSIONS SHEET</b>	MODEL <b>AEUV1H</b>
REVISED 28-Feb-13		IE2 EFFICIENCY 3-PHASE INDUCTION MOTORS V1 (IM 3011) FRAME NOS. 280S ~ 355L

Totally Enclosed Fan - Cooled Type, Squirrel - Cage Rotor.



Dimension in mm

Output (kW)			FRAME SIZE	FLANGE DIMENSION							AC	AD	AG	AS	BE	HE	HH	L	LL	O
2P	4P	6P		LA	LE	M	N	P	S	T										
160	---	---	315LA	25	140	600	550	660	24	6	660	527	336	163	140	430	269	1366	322	180
---	160	110 132 (160)	315LB	25	170	600	550	660	24	6	660	527	336	163	140	430	269	1396	322	180

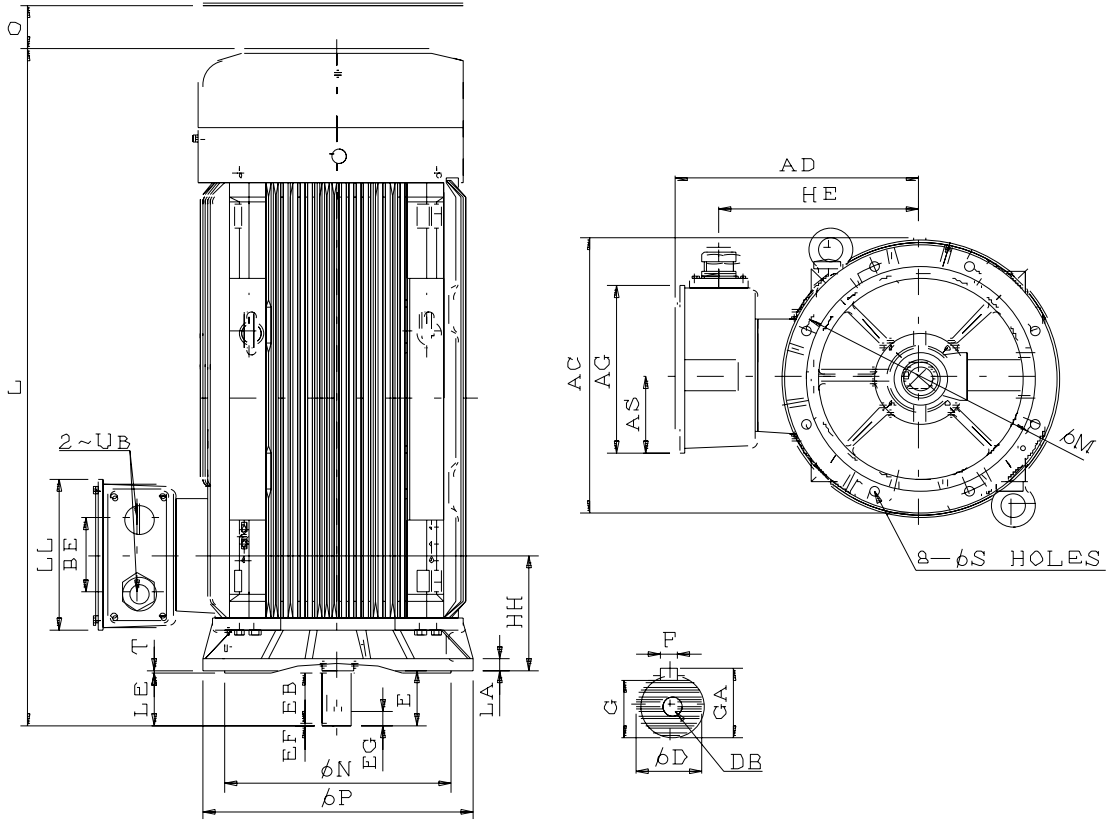
FRAME SIZE	UB	SHAFT EXTENSION									BEARING	
		D	E	EB	EF	EG	F	G	GA	DB	DRIVE END	OPPOSITE DRIVE END
315LA	M63X1.5	65	140	125	7.5	40	18	58	69	M20	7316C3	6314C3
315LB	M63X1.5	80	170	160	5	40	22	71	85	M20	6320C3	6316C3

- Note :**
1. Tolerance of Shaft End Diameter D : m6
  2. Tolerance of Key Width F : h9
  3. Tolerance of N : js6
  4. Output In the Brackets for Optional Matching

APPD.	Ben Yang	25-Sep-12	<b>TECO Electric &amp; Machinery Co., Ltd.</b>	DWG NO.
CHKD.	J.LIU	25-Sep-12		<b>3W049U369</b>
DWN.	S.CAO	25-Sep-12		Wuxi, China
				Rev. 03
				3/5

ISSUED 25-Sep-12	<b>OUTLINE DIMENSIONS SHEET</b>	MODEL <b>AEUV1H</b>
REVISED 28-Feb-13		IE2 EFFICIENCY 3-PHASE INDUCTION MOTORS V1 (IM 3011) FRAME NOS. 280S ~ 355L

Totally Enclosed Fan - Cooled Type, Squirrel - Cage Rotor.



Dimension in mm

Output (kW)			FRAME SIZE	FLANGE DIMENSION								AC	AD	AG	AS	BE	HE	HH	L	LL	O
2P	4P	6P		LA	LE	M	N	P	S	T											
250	---	---	315DA	30	140	600	550	660	24	6	682	590	412	189	180	485	284	1674	372	200	
---	250	200	315DB	30	170	600	550	660	24	6	682	590	412	189	180	485	284	1704	372	200	

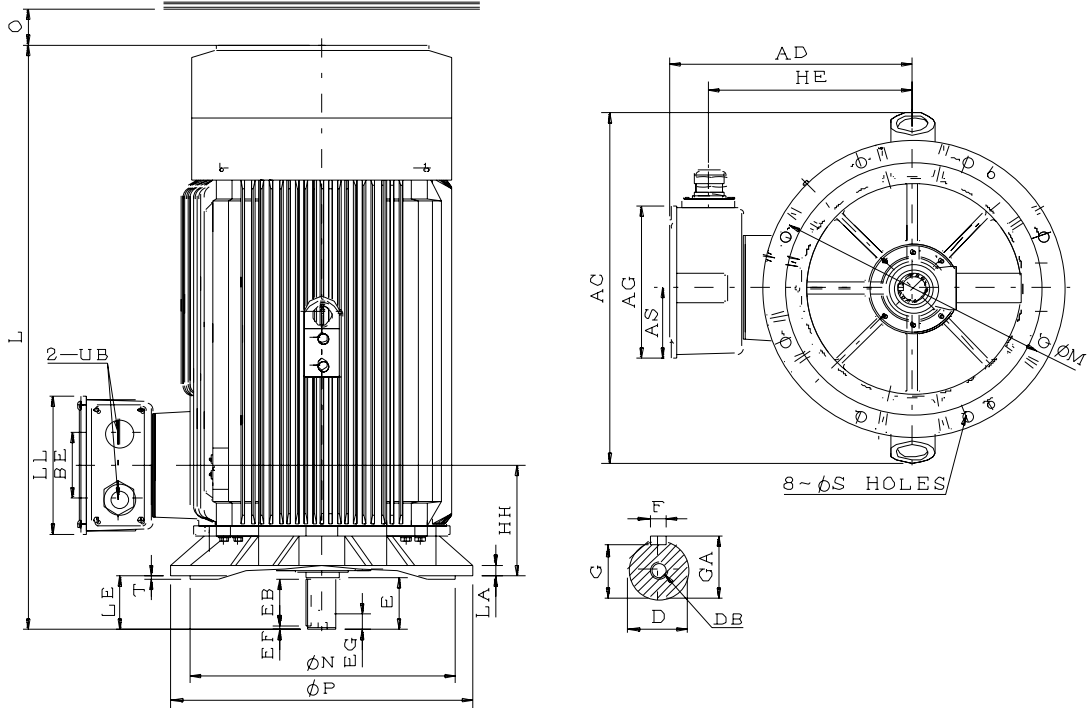
FRAME SIZE	UB	SHAFT EXTENSION								BEARING		
		D	E	EB	EF	EG	F	G	GA	DB	DRIVE END	OPPOSITE DRIVE END
315DA	M72X2	75	140	125	7.5	40	20	67.5	79.5	M20	7316C3	6316C3
315DB	M72X2	95	170	160	5	48	25	86	100	M24	6322C3	6322C3

- Note :**
1. Tolerance of Shaft End Diameter D : m6
  2. Tolerance of Key Width F : h9
  3. Tolerance of N : js6

APPD.	Ben Yang	25-Sep-12	<b>TECO Electric &amp; Machinery Co., Ltd.</b>	DWG NO.
CHKD.	J.LIU	25-Sep-12		<b>3W049U369</b>
DWN.	S.CAO	25-Sep-12		Rev. 03
			<b>Wuxi, China</b>	4/5

ISSUED 25-Sep-12	<b>OUTLINE DIMENSIONS SHEET</b>	MODEL <b>AEUV1H</b>
REVISED 28-Feb-13		IE2 EFFICIENCY 3-PHASE INDUCTION MOTORS V1 (IM 3011) FRAME NOS. 280S ~ 355L

Totally Enclosed Fan - Cooled Type, Squirrel - Cage Rotor.



Dimension in mm

Output (kW)			FRAME SIZE	FLANGE DIMENSION							AC	AD	AG	AS	BE	HE	HH	L	LL	O
2P	4P	6P		LA	LE	M	N	P	S	T										
250	---	---	355MA	30	140	740	680	800	24	6	980	645	412	189	180	540	302	1575	372	230
---	250	200	355MB	30	170	740	680	800	24	6	980	645	412	189	180	540	302	1605	372	230
315	---	---	355LA	30	140	740	680	800	24	6	980	645	412	189	180	540	302	1575	372	230
---	315	250	355LB	30	170	740	680	800	24	6	980	645	412	189	180	540	302	1605	372	230

FRAME SIZE	UB	SHAFT EXTENSION								BEARING		
		D	E	EB	EF	EG	F	G	GA	DB	DRIVE END	OPPOSITE DRIVE END
355MA	M72X2	75	140	125	7.5	40	20	67.5	79.5	M20	7318C3	6318C3
355MB	M72X2	95	170	160	5	48	25	86	100	M24	7322C3	6322C3
355LA	M72X2	75	140	125	7.5	40	20	67.5	79.5	M20	7318C3	6318C3
355LB	M72X2	95	170	160	5	48	25	86	100	M24	7322C3	6322C3

- Note :**
1. Tolerance of Shaft End Diameter D : m6
  2. Tolerance of Key Width F : h9
  3. In the Brackets for Optional Matching
  4. Tolerance of N : js6

APPD.	Ben Yang	25-Sep-12	<b>TECO Electric &amp; Machinery Co., Ltd.</b>	DWG NO.	
CHKD.	J.LIU	25-Sep-12		<b>Wuxi, China</b>	<b>3W049U369</b>
DWN.	S.CAO	25-Sep-12		Rev. 03	5/5

ISSUED

25-Sep-12

**SCHEMATIC DRAWING**

MODEL

**AEEV1H**

REVISED

17-Nov-12

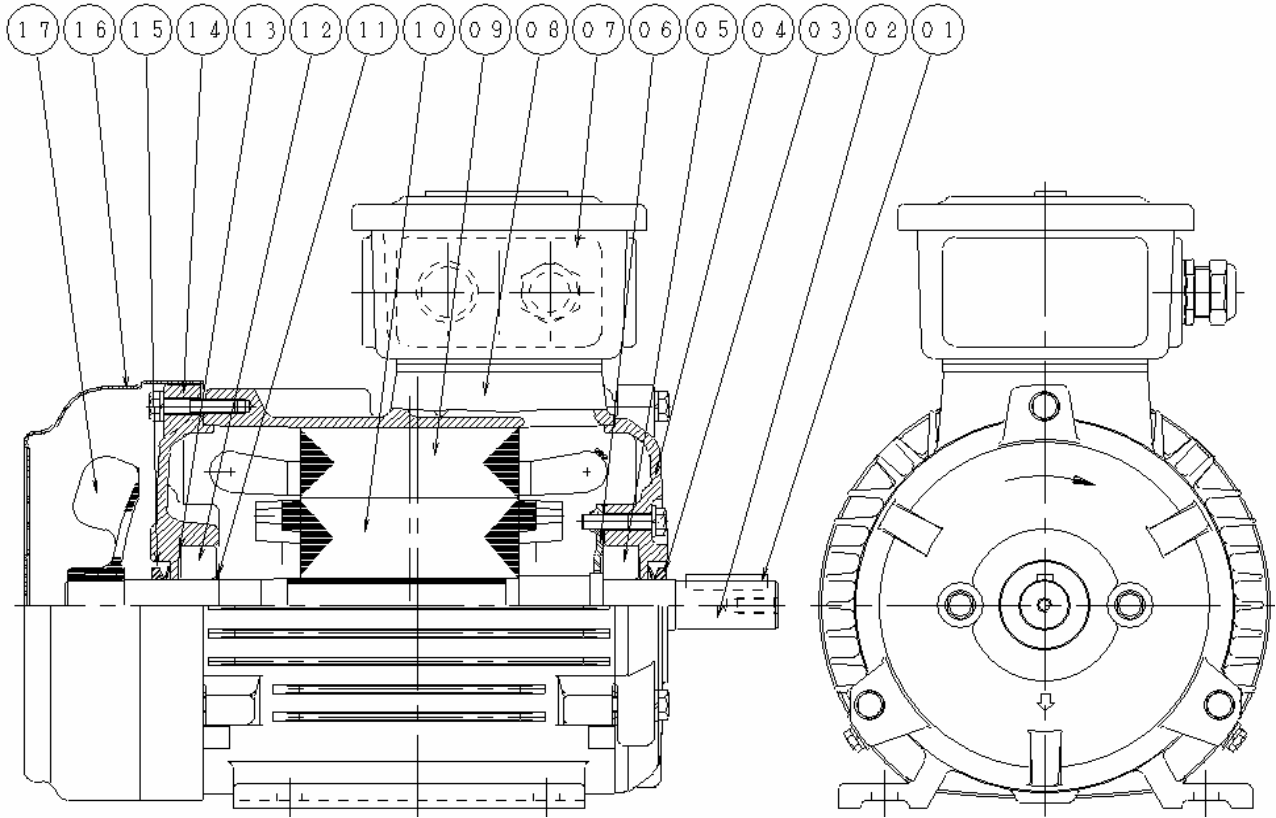
IE2 EFFICIENCY 3-PHASE INDUCTION MOTORS

PAGE

38 of 65

B3 (IM 1001) FRAME NOS. 80M

Totally Enclosed Fan - Cooled Type, Squirrel - Cage Rotor.



ITEM	NAME	ITEM	NAME
1	DOUBLE FLAT HEADED KEY	11	STOP RING - BEARING
2	SHAFT	12	BEARING
3	V RING	13	PRE - LOAD SPRING
4	END BRACKET	14	END BRACKET
5	BEARING	15	V RING
6	BEARING COVER - INNER	16	FAN COVER
7	TERMINAL BOX	17	EXTERNAL FAN
8	FRAME	18	
9	STATOR	19	
10	ROTOR	20	

APPD.

H.C.YAN

25-Sep-12

CHKD.

SHITOU

25-Sep-12

DWN.

TDY

25-Sep-12

TECO Electric &amp; Machinery Co., Ltd.

Wuxi, China

DWG NO.

**32057R9252**

REV. 01

1/5



ISSUED

25-Sep-12

**SCHEMATIC DRAWING**

MODEL

**AEV1H**

REVISED

17-Nov-12

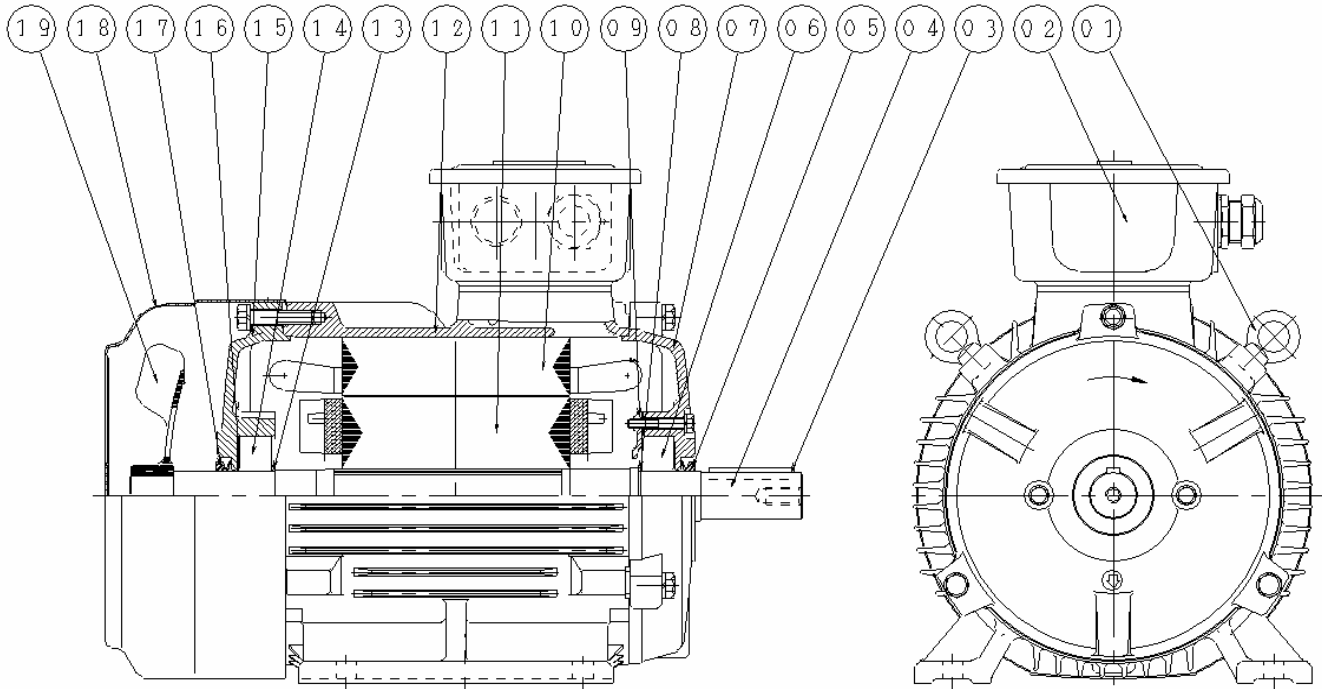
IE2 EFFICIENCY 3-PHASE INDUCTION MOTORS

PAGE

39 of 65

B3 (IM 1001) FRAME NOS. 90S ~ 112M

Totally Enclosed Fan - Cooled Type, Squirrel - Cage Rotor.



ITEM	NAME	ITEM	NAME
1	EYE BOLT	11	ROTOR
2	TERMINAL BOX	12	FRAME
3	DOUBLE FLAT HEADED KEY	13	STOP RING - BEARING
4	SHAFT	14	BEARING
5	V RING	15	END BRACKET
6	BEARING	16	PRE - LOAD SPRING
7	END BRACKET	17	V RING
8	STOP RING - BEARING	18	FAN COVER
9	BEARING COVER - INNER	19	EXTERNAL FAN
10	STATOR		

APPD.

H.C.YAN

25-Sep-12

CHKD.

SHITOU

25-Sep-12

DWN.

TDY

25-Sep-12

TECO Electric &amp; Machinery Co., Ltd.

Wuxi, China

DWG NO.

**32057R9252**

REV. 01

2/5

ISSUED  
25-Sep-12

# SCHEMATIC DRAWING

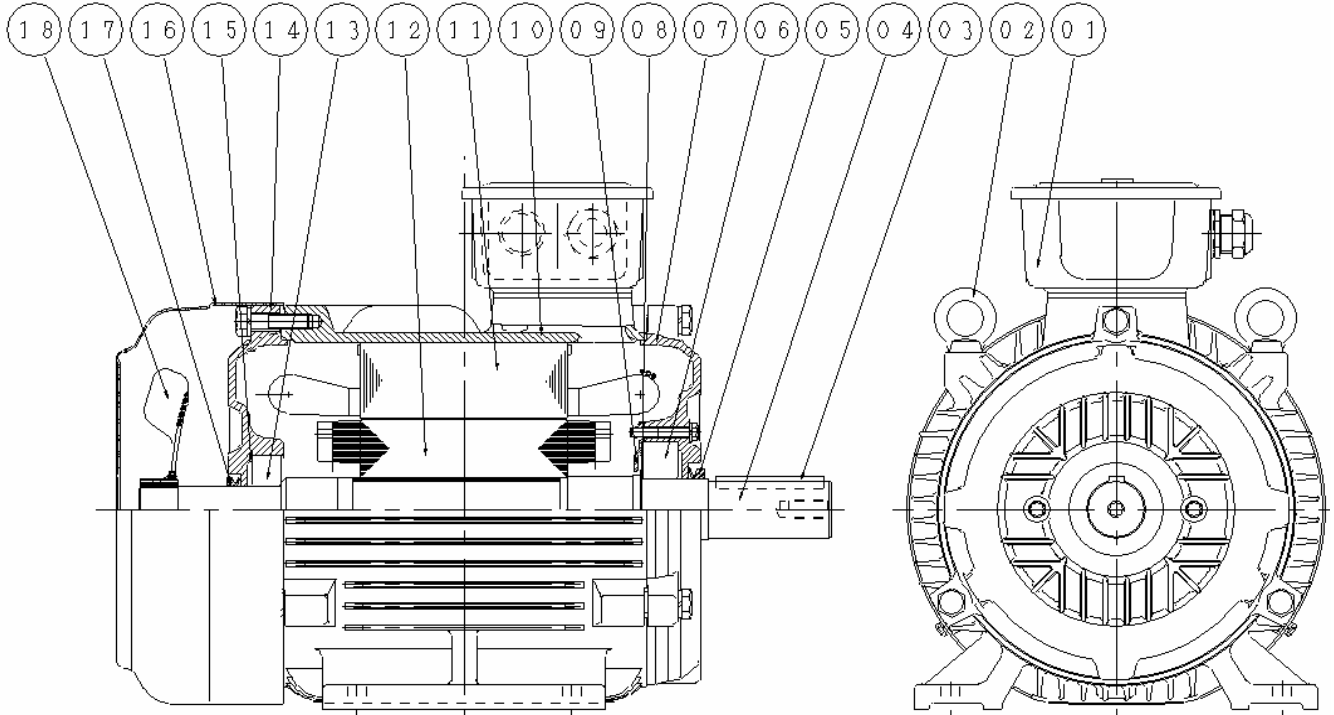
MODEL  
**AEEV1H**

REVISED  
17-Nov-12

IE2 EFFICIENCY 3-PHASE INDUCTION MOTORS  
B3 (IM 1001) FRAME NOS. 132S ~ 132M

PAGE  
40 of 65

Totally Enclosed Fan - Cooled Type, Squirrel - Cage Rotor.



ITEM	NAME	ITEM	NAME
1	TERMINAL BOX	11	STASOR
2	EYE BOLT	12	ROTOR
3	DOUBLE FLAT HEADED KEY	13	BEARING
4	SHAFT	14	END BRACKET
5	V RING	15	PRE - LOAD SPRING
6	BEARING	16	FAN COVER
7	END BRACKET	17	V RING
8	STOP RING - BEARING	18	EXTERNAL FAN
9	BEARING COVER - INNER	19	
10	FRAME	20	

APPD.	H.C.YAN	25-Sep-12
CHKD.	SHITOU	25-Sep-12
DWN.	TDY	25-Sep-12

**TECO Electric & Machinery Co., Ltd.**  
**Wuxi, China**

DWG NO.  
**32057R9252**  
REV. 01 3/5

ISSUED

25-Sep-12

**SCHEMATIC DRAWING**

MODEL

**AEV1H**

REVISED

17-Nov-12

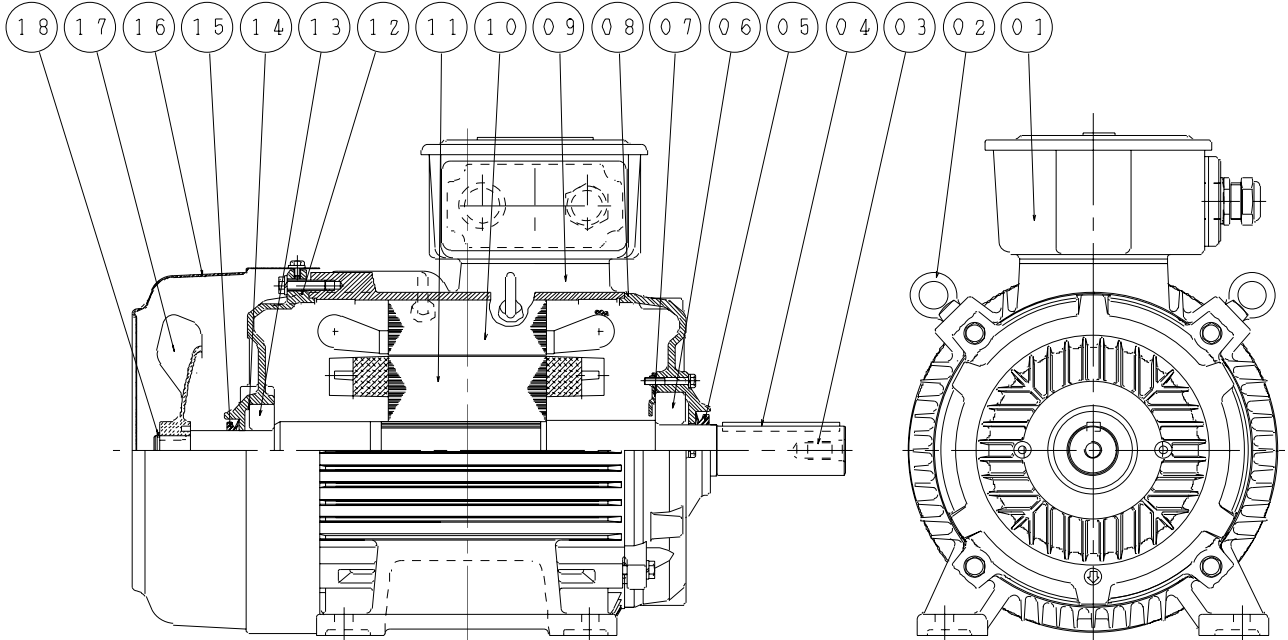
IE2 EFFICIENCY 3-PHASE INDUCTION MOTORS

PAGE

41 of 65

B3 (IM 1001) FRAME NOS. 160M ~ 160L

Totally Enclosed Fan - Cooled Type, Squirrel - Cage Rotor.



ITEM	NAME	ITEM	NAME
1	TERMINAL BOX	11	ROTOR
2	EYE BOLT	12	END BRACKET
3	SHAFT	13	BEARING
4	DOUBLE FLAT HEADED KEY	14	PRE - LOAD SPRING
5	V RING	15	V RING
6	BEARING	16	FAN COVER
7	BEARING COVER - INNER	17	EXTERNAL FAN
8	END BRACKET	18	OUTSIDE RETAINING RING
9	FRAME		
10	STATOR		

APPD.

H.C.YAN

25-Sep-12

CHKD.

SHITOU

25-Sep-12

DWN.

TDY

25-Sep-12

TECO Electric &amp; Machinery Co., Ltd.

Wuxi, China

DWG NO.

**32057R9252**

REV. 01

4/5

ISSUED

25-Sep-12

**SCHEMATIC DRAWING**

MODEL

**AEEV1H**

REVISED

17-Nov-12

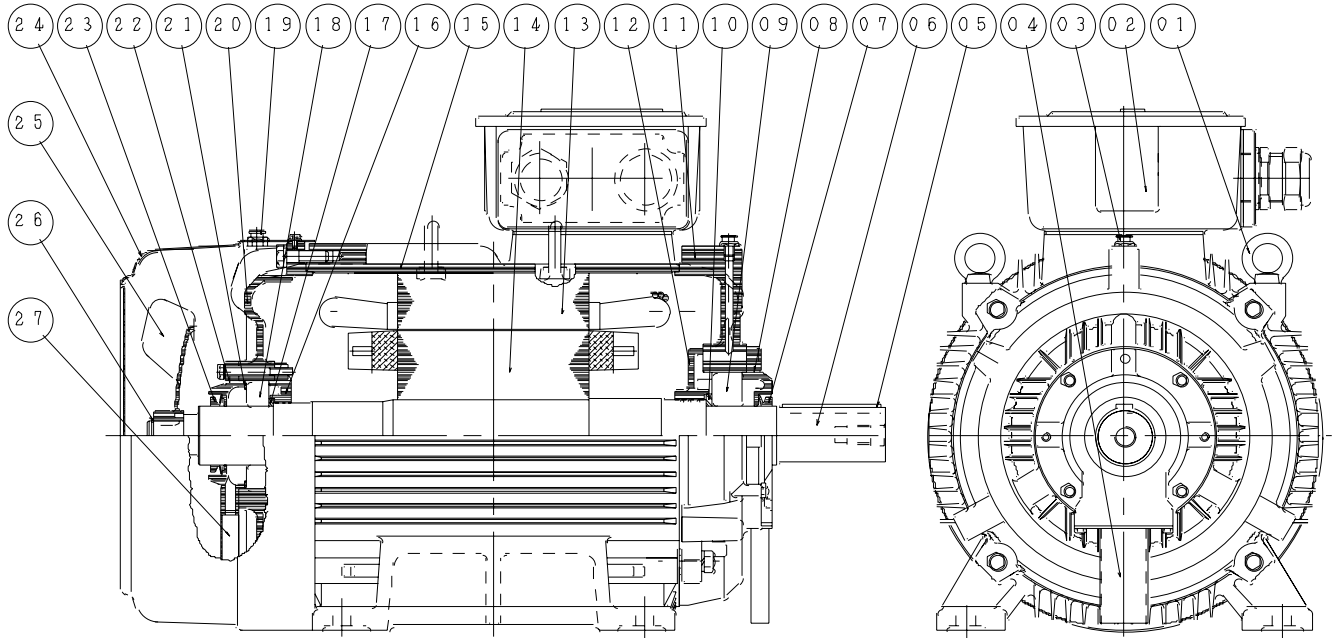
IE2 EFFICIENCY 3-PHASE INDUCTION MOTORS

PAGE

42 of 65

B3 (IM 1001) FRAME NOS. 180M ~ 250M

Totally Enclosed Fan - Cooled Type, Squirrel - Cage Rotor.



ITEM	NAME	ITEM	NAME
1	EYE BOLT	15	FRAME
2	TERMINAL BOX	16	BEARING COVER-INNER
3	GREASE NIPPLE	17	STOP RING - BEARING
4	OIL DRAIN COVER	18	BEARING
5	DOUBLE FLAT HEADED KEY	19	GREASE NIPPLE
6	SHAFT	20	END BRACKET
7	V RING	21	PRE - LOAD SPRING
8	BEARING COVER - OUTER	22	BEARING COVER - OUTER
9	BEARING	23	V RING
10	STOP RING - BEARING	24	FAN COVER
11	END BRACKET	25	EXTERNAL FAN
12	BEARING COVER - INNER	26	OUTSIDE RETAINING RING
13	STATOR	27	OIL DRAIN COVER
14	ROTOR	28	

APPD.

H.C.YAN

25-Sep-12

CHKD.

SHITOU

25-Sep-12

DWN.

TDY

25-Sep-12

TECO Electric &amp; Machinery Co., Ltd.

Wuxi, China

DWG NO.

**32057R9252**

REV. 01

5/5

ISSUED

25-Sep-12

REVISED

17-Nov-12

**SCHEMATIC DRAWING**

IE2 EFFICIENCY 3-PHASE INDUCTION MOTORS

B3 (IM 1001) FRAME NOS. 280S ~ 315L

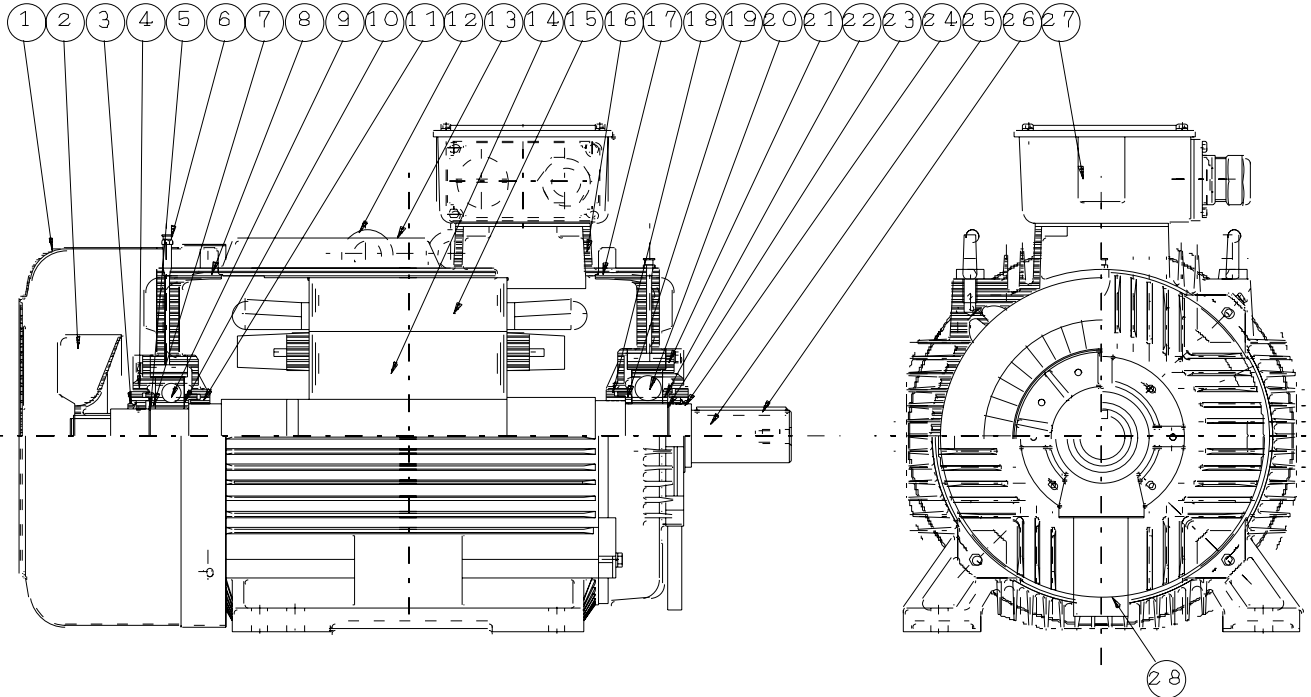
MODEL

**AEV1H**

PAGE

43 of 65

Totally Enclosed Fan - Cooled Type, Squirrel - Cage Rotor.



ITEM	NAME	ITEM	NAME
1	FAN COVER	16	FRAME
2	EXTERNAL FAN	17	END BRACKET
3	OIL SEAL	18	BEARING COVER-INNER
4	BEARING COVER - OUTER	19	GREASE FLINGER
5	OUTSIDE RETAINING RING	20	BEARING
6	GREASE NIPPLE	21	BEARING COVER - OUTER
7	GREASE FLINGER	22	GREASE FLINGER
8	END BRACKET	23	OUTSIDE RETAINING RING
9	BEARING	24	OIL SEAL
10	GREASE FLINGER	25	SHAFT
11	BEARING COVER - INNER	26	KEY
12	EYE BOLT	27	TERMINAL BOX
13	NAME PLATE	28	OIL DRAIN COVER
14	ROTOR		
15	STATOR		

APPD.

Ben Yang

25-Sep-12

CHKD.

J.LIU

25-Sep-12

DWN.

S.CAO

25-Sep-12

TECO Electric &amp; Machinery Co., Ltd.

Wuxi, China

DWG NO.

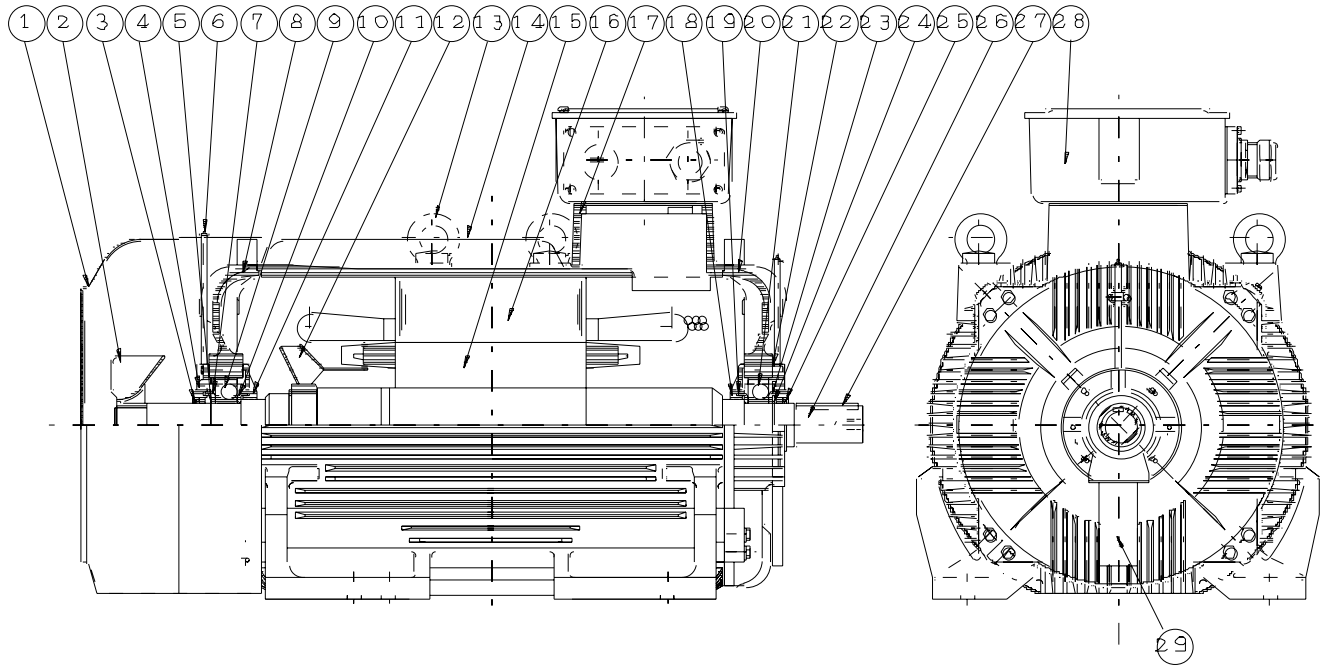
**3W049U291**

REV. 01

1/2

ISSUED 25-Sep-12	<b>SCHEMATIC DRAWING</b>	MODEL <b>AEEV1H</b>
REVISED 17-Nov-12		IE2 EFFICIENCY 3-PHASE INDUCTION MOTORS B3 (IM 1001) FRAME NOS. 315D ~ 355L

Totally Enclosed Fan - Cooled Type, Squirrel - Cage Rotor.



ITEM	NAME	ITEM	NAME
1	FAN COVER	17	FRAME
2	EXTERNAL FAN	18	BEARING COVER - INNER
3	OIL SEAL	19	GREASE FLINGER
4	BEARING COVER-OUTER	20	END BRACKET
5	OUTSIDE RETAINING RING	21	BEARING
6	GREASE NIPPLE	22	RBEARING COVER - OUTER
7	GREASE FLINGER	23	GREASE FLINGE
8	END BRACKET	24	OUTSIDE RETAINING RING
9	BEARING	25	OIL SEAL
10	GREASE FLINGER	26	SHAFT
11	BEARING COVER - INNER	27	KEY
12	INNER FAN	28	TERMINAL BOX
13	EYE BOLT	29	OIL DRAIN COVER
14	NAME PLATE		
15	ROTOR		
16	STATOR		

APPD.	Ben Yang	25-Sep-12	<b>TECO Electric &amp; Machinery Co., Ltd.</b> <b>Wuxi, China</b>	DWG NO.	<b>3W049U291</b>
CHKD.	J.LIU	25-Sep-12		REV. 01	
DWN.	F.ZHOU	25-Sep-12		2/2	

ISSUED

25-Sep-12

**SCHEMATIC DRAWING**

MODEL

**AEUV1H**

REVISED

28-Feb-13

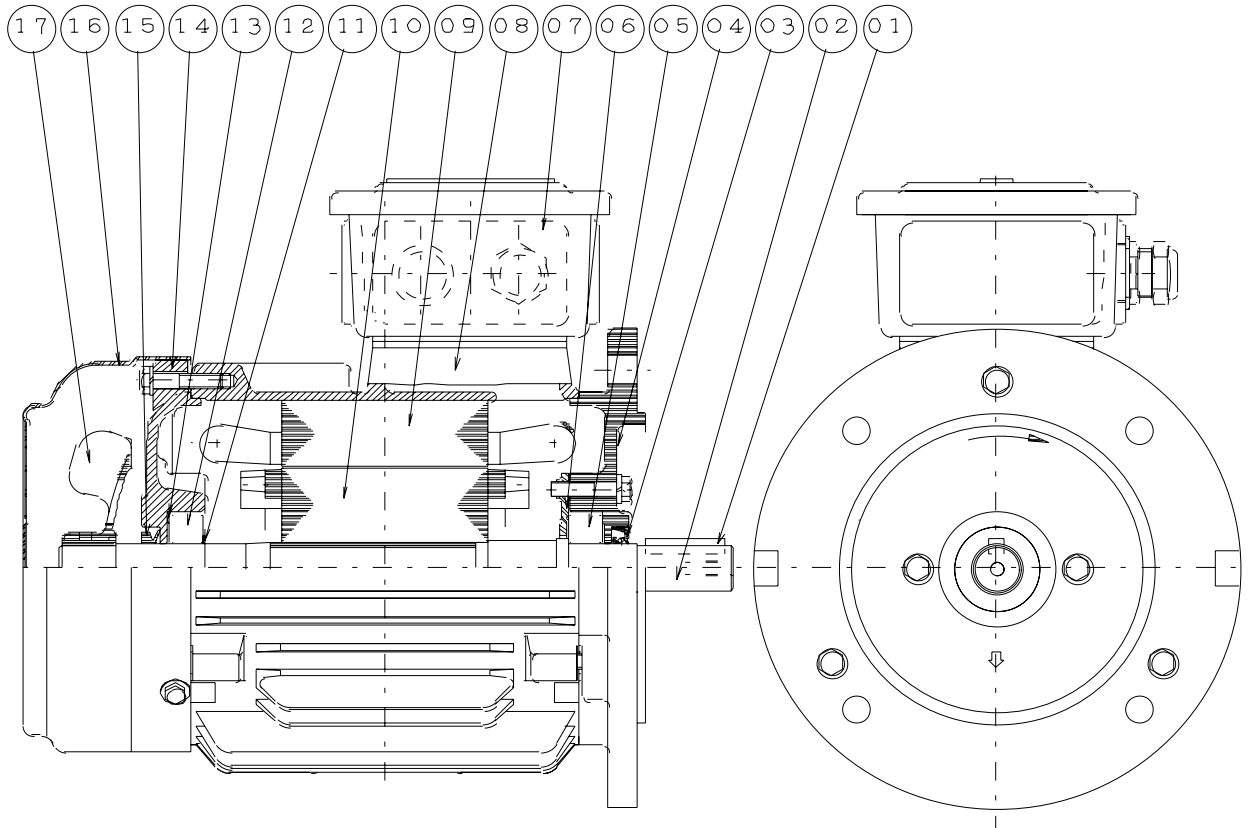
IE2 EFFICIENCY 3-PHASE INDUCTION MOTORS

PAGE

45 of 65

B5 (IM 3001) FRAME NOS. 80M

Totally Enclosed Fan - Cooled Type, Squirrel - Cage Rotor.



ITEM	NAME	ITEM	NAME
1	KEY	11	STOP RING - BEARING
2	SHAFT	12	BEARING
3	OIL SEAL	13	PRE - LOAD SPRING
4	FLANGE	14	END BRACKET
5	BEARING	15	V RING
6	BEARING COVER - INNER	16	FAN COVER
7	TERMINAL BOX	17	EXTERNAL FAN
8	FRAME		
9	STATOR		
10	ROTOR		

APPD.

H.C.YAN

25-Sep-12

CHKD.

SHITOU

25-Sep-12

DWN.

TDY

25-Sep-12

TECO Electric &amp; Machinery Co., Ltd.

Wuxi, China

DWG NO.

**32057R9253**

Rev. 02

1/5

ISSUED

25-Sep-12

**SCHEMATIC DRAWING**

MODEL

**AEUV1H**

REVISED

28-Feb-13

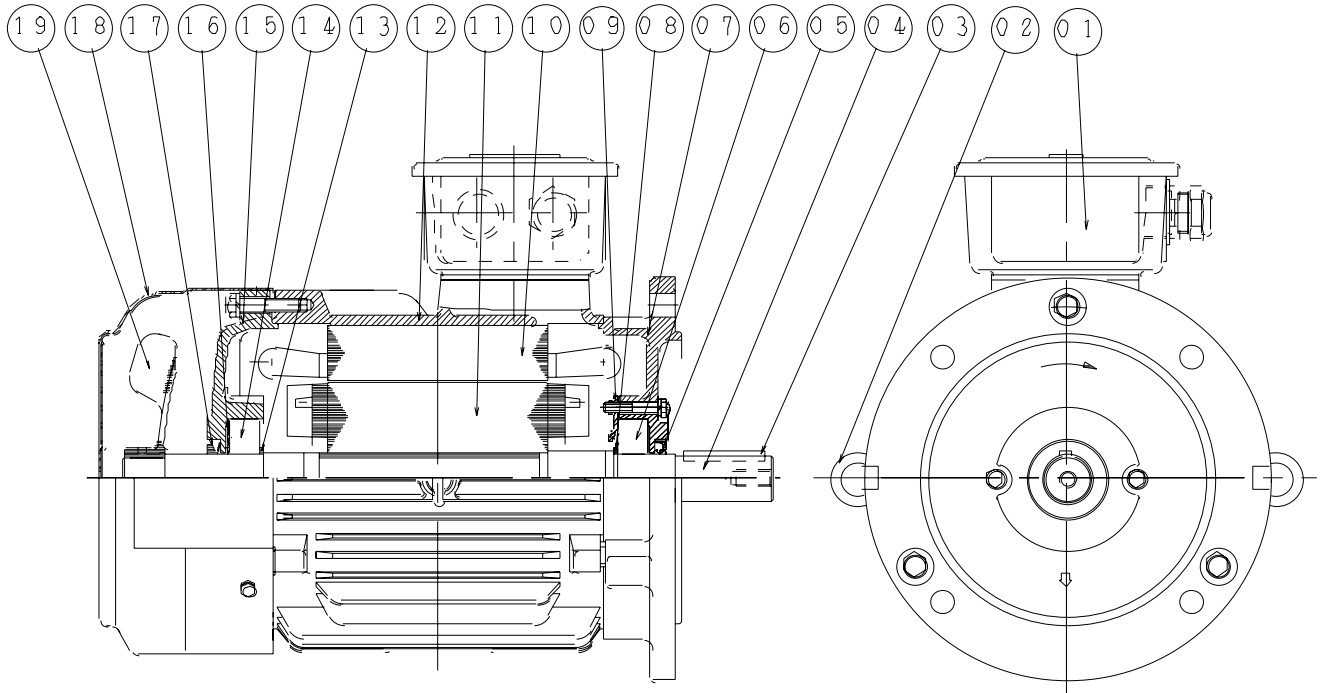
IE2 EFFICIENCY 3-PHASE INDUCTION MOTORS

PAGE

46 of 65

B5 (IM 3001) FRAME NOS. 90S ~ 112M

Totally Enclosed Fan - Cooled Type, Squirrel - Cage Rotor.



ITEM	NAME	ITEM	NAME
1	TERMINAL BOX	11	ROTOR
2	EYE BOLT	12	FRAME
3	KEY	13	STOP RING - BEARING
4	SHAFT	14	BEARING
5	OIL SEAL	15	END BRACKET
6	BEARING	16	PRE - LOAD SPRING
7	FLANGE	17	V RING
8	STOP RING - BEARING	18	FAN COVER
9	BEARING COVER - INNER	19	EXTERNAL FAN
10	STATOR		

APPD.

H.C.YAN

25-Sep-12

CHKD.

SHITOU

25-Sep-12

DWN.

TDY

25-Sep-12

TECO Electric &amp; Machinery Co., Ltd.

Wuxi, China

DWG NO.

**32057R9253**

Rev. 02

2/5



ISSUED  
25-Sep-12

# SCHEMATIC DRAWING

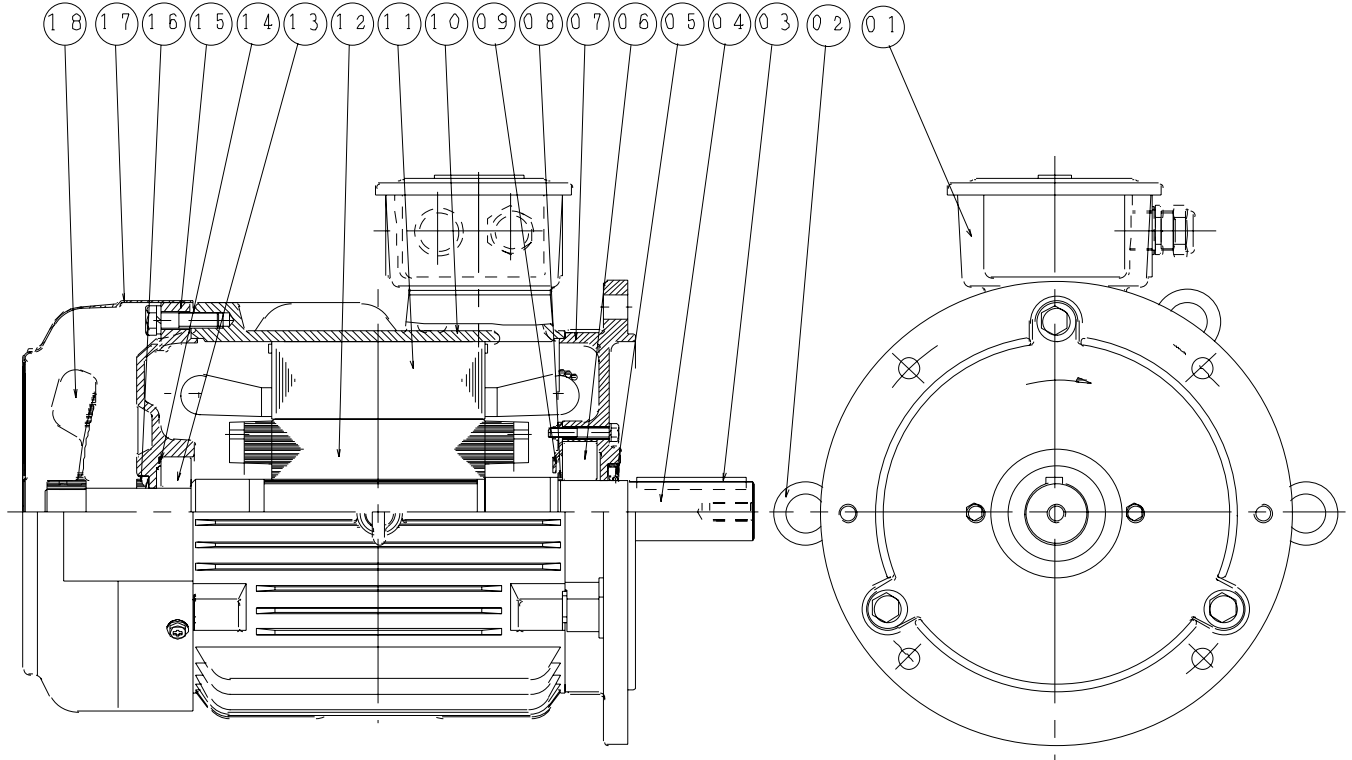
MODEL  
**AEUV1H**

REVISED  
28-Feb-13

IE2 EFFICIENCY 3-PHASE INDUCTION MOTORS  
B5 (IM 3001) FRAME NOS. 132S ~ 132M

PAGE  
47 of 65

Totally Enclosed Fan - Cooled Type, Squirrel - Cage Rotor.



ITEM	NAME	ITEM	NAME
1	TERMINAL BOX	11	STATOR
2	EYE BOLT	12	ROTOR
3	KEY	13	BEARING
4	SHAFT	14	PRE - LOAD SPRING
5	OIL SEAL	15	END BRACKET
6	BEARING	16	V RING
7	FLANGE	17	FAN COVER
8	STOP RING - BEARING	18	EXTERNAL FAN
9	BEARING COVER - INNER		
10	FRAME		

APPD.	H.C.YAN	25-Sep-12
CHKD.	SHITOU	25-Sep-12
DWN.	TDY	25-Sep-12

TECO Electric & Machinery Co., Ltd.  
Wuxi, China

DWG NO.  
**32057R9253**  
Rev. 02

ISSUED

25-Sep-12

**SCHEMATIC DRAWING**

MODEL

**AEUV1H**

REVISED

28-Feb-13

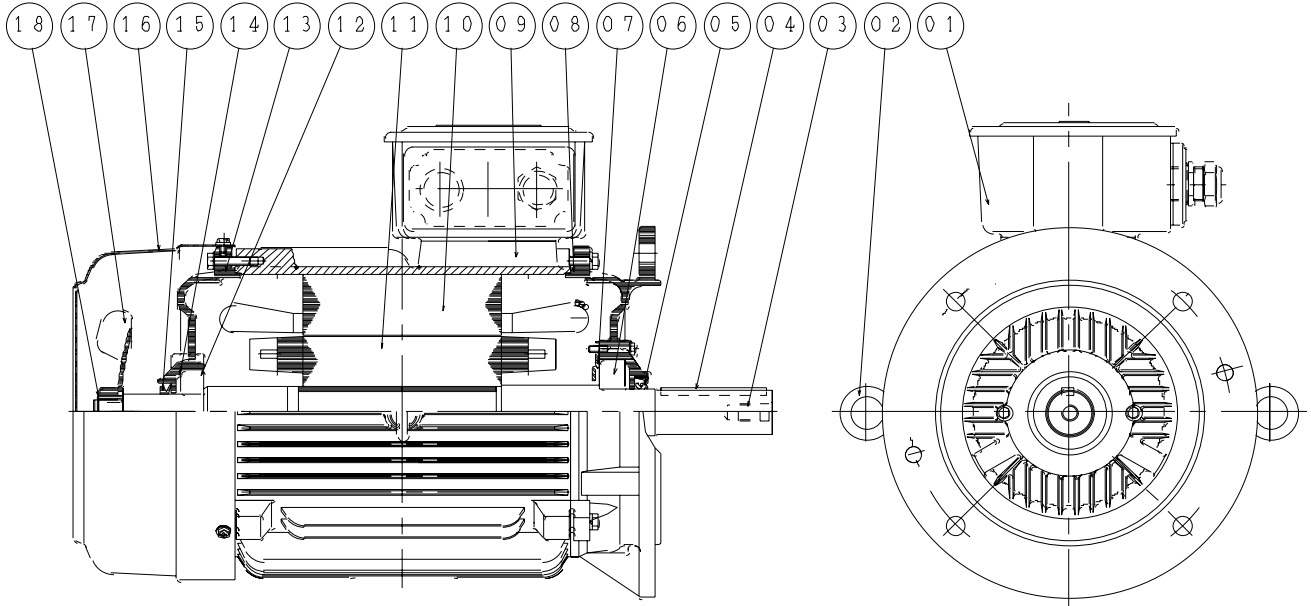
IE2 EFFICIENCY 3-PHASE INDUCTION MOTORS

PAGE

48 of 65

B5 (IM 3001) FRAME NOS. 160M ~ 160L

Totally Enclosed Fan - Cooled Type, Squirrel - Cage Rotor.



ITEM	NAME	ITEM	NAME
1	TERMINAL BOX	11	ROTOR
2	EYE BOLT	12	BEARING
3	SHAFT	13	END BRACKET
4	KEY	14	PRE - LOAD SPRING
5	OIL SEAL	15	V RING
6	BEARING	16	FAN COVER
7	BEARING COVER - INNER	17	EXTERNAL FAN
8	FLANGE	18	OUTSIDE RETAINING RING
9	FRAME		
10	STATOR		

APPD.

H.C.YAN

25-Sep-12

CHKD.

SHITOU

25-Sep-12

DWN.

TDY

25-Sep-12

TECO Electric &amp; Machinery Co., Ltd.

Wuxi, China

DWG NO.

**32057R9253**

Rev. 02

4/5

ISSUED

25-Sep-12

**SCHEMATIC DRAWING**

MODEL

**AEUV1H**

REVISED

28-Feb-13

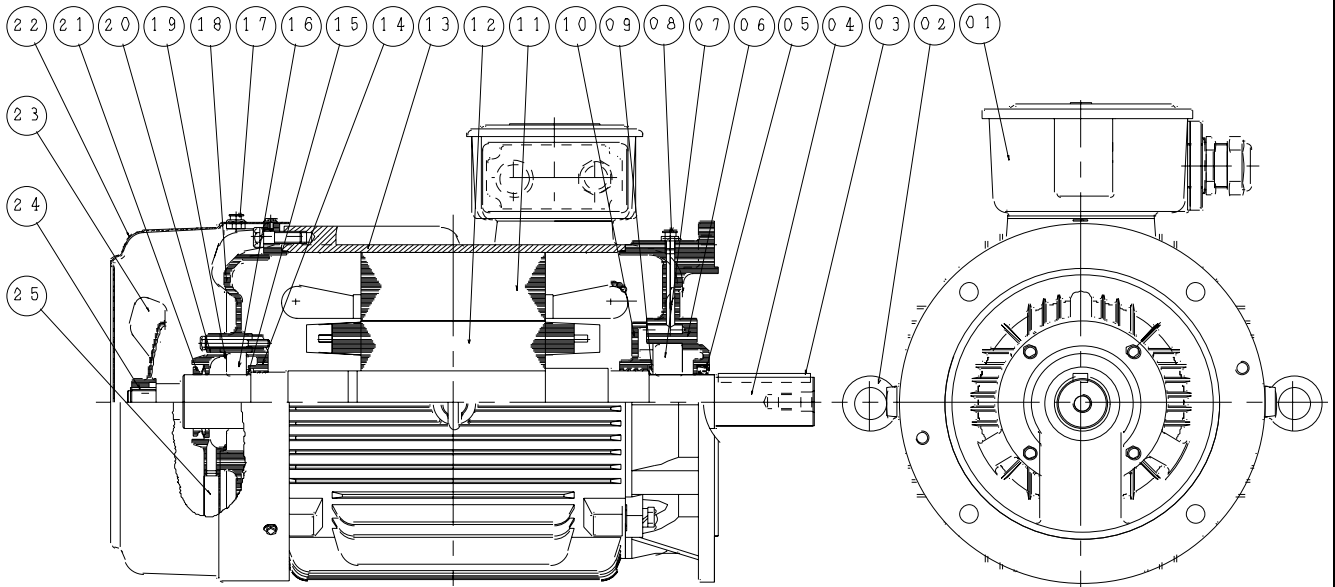
IE2 EFFICIENCY 3-PHASE INDUCTION MOTORS

PAGE

49 of 65

B5 (IM 3001) FRAME NOS. 180M ~ 250M

Totally Enclosed Fan - Cooled Type, Squirrel - Cage Rotor.



ITEM	NAME	ITEM	NAME
1	TERMINAL BOX	14	BEARING COVER - INNER
2	EYE BOLT	15	STOP RING - BEARING
3	KEY	16	BEARING
4	SHAFT	17	GREASE NIPPLE
5	OIL SEAL	18	END BRACKET
6	FLANGE	19	PRE - LOAD SPRING
7	BEARING	20	BEARING COVER - OUTER
8	GREASE NIPPLE	21	V RING
9	STOP RING - BEARING	22	FAN COVER
10	BEARING COVER - INNER	23	EXTERNAL FAN
11	STATOR	24	OUTSIDE RETAINING RING
12	ROTOR	25	OIL DRAIN COVER
13	FRAME		

Note : There is four holes on flange of frame 180M ~ 200L.

There is eight holes on flange of frame 225S ~ 250M.

APPD. H.C.YAN 25-Sep-12

CHKD. SHITOU 25-Sep-12

DWN. TDY 25-Sep-12

TECO Electric &amp; Machinery Co., Ltd.

Wuxi, China

DWG NO.

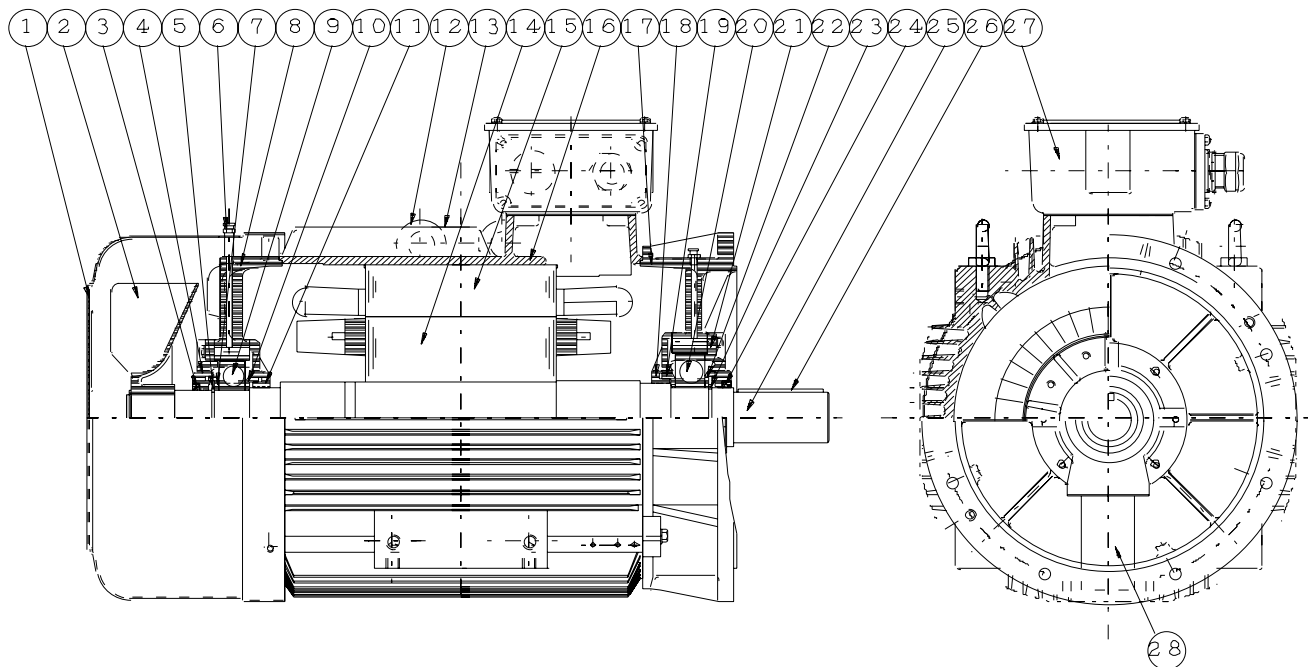
**32057R9253**

Rev. 02

5/5

ISSUED 25-Sep-12	<b>SCHEMATIC DRAWING</b>	MODEL <b>AEUV1H</b>
REVISED 17-Nov-12		IE2 EFFICIENCY 3-PHASE INDUCTION MOTORS B5 (IM 3001) FRAME NOS. 280S ~ 315M

Totally Enclosed Fan - Cooled Type, Squirrel - Cage Rotor.



ITEM	NAME	ITEM	NAME
1	FAN COVER	16	FRAME
2	EXTERNAL FAN	17	FLANGE
3	OIL SEAL	18	BEARING COVER - INNER
4	BEARING COVER - OUTER	19	GREASE FLINGER
5	OUTSIDE RETAINING RING	20	BEARING
6	GREASE NIPPLE	21	BEARING COVER - OUTER
7	GREASE FLINGER	22	GREASE FLINGER
8	END BRACKET	23	OUTSIDE RETAINING RING
9	BEARING	24	OIL SEAL
10	GREASE FLINGER	25	SHAFT
11	BEARING COVER - INNER	26	KEY
12	EYE BOLT	27	TERMINAL BOX
13	NAME PLATE	28	OIL DRAIN COVER
14	ROTOR		
15	STATOR		

APPD.	Ben Yang	25-Sep-12	<b>TECO Electric &amp; Machinery Co., Ltd.</b> <b>Wuxi, China</b>	DWG NO.	<b>3W049U308</b>
CHKD.	J.LIU	25-Sep-12		REV. 01	
DWN.	S.CAO	25-Sep-12		1/1	

ISSUED

25-Sep-12

**SCHEMATIC DRAWING**

MODEL

**AEEV1H**

REVISED

28-Feb-13

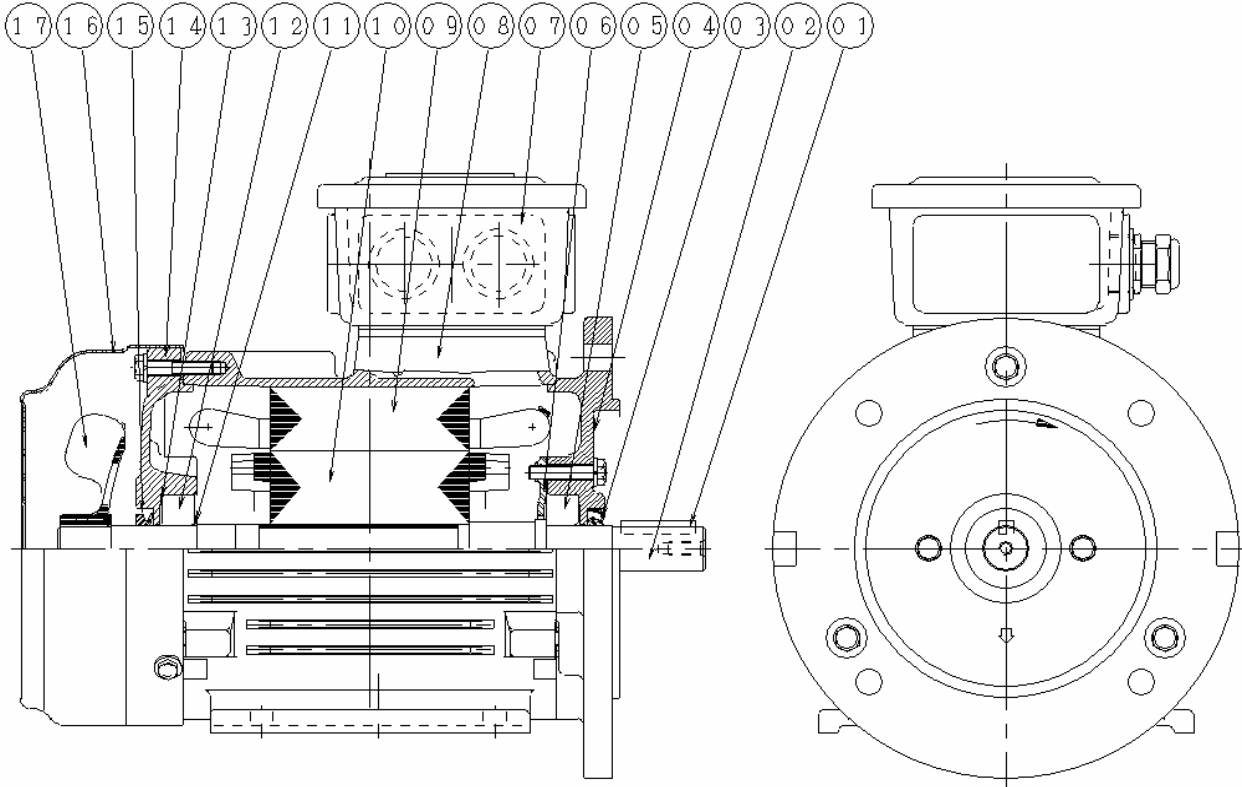
IE2 EFFICIENCY 3-PHASE INDUCTION MOTORS

PAGE

51 of 65

B35 (IM 2001) FRAME NOS. 80M

Totally Enclosed Fan - Cooled Type, Squirrel - Cage Rotor.



ITEM	NAME	ITEM	NAME
1	DOUBLE FLAT HEADED KEY	11	STOP RING - BEARING
2	SHAFT	12	BEARING
3	OIL SEAL	13	PRE - LOAD SPRING
4	FLANGE	14	END BRACKET
5	BEARING	15	V RING
6	BEARING COVER - INNER	16	FAN COVER
7	TERMINAL BOX	17	EXTERNAL FAN
8	FRAME		
9	STATOR		
10	ROTOR		

APPD.

H.C.YAN

25-Sep-12

CHKD.

SHITOU

25-Sep-12

DWN.

TDY

25-Sep-12

TECO Electric &amp; Machinery Co., Ltd.

Wuxi, China

DWG NO.

**32057R9254**

Rev. 02

1/5

ISSUED

25-Sep-12

**SCHEMATIC DRAWING**

MODEL

**AEEV1H**

REVISED

28-Feb-13

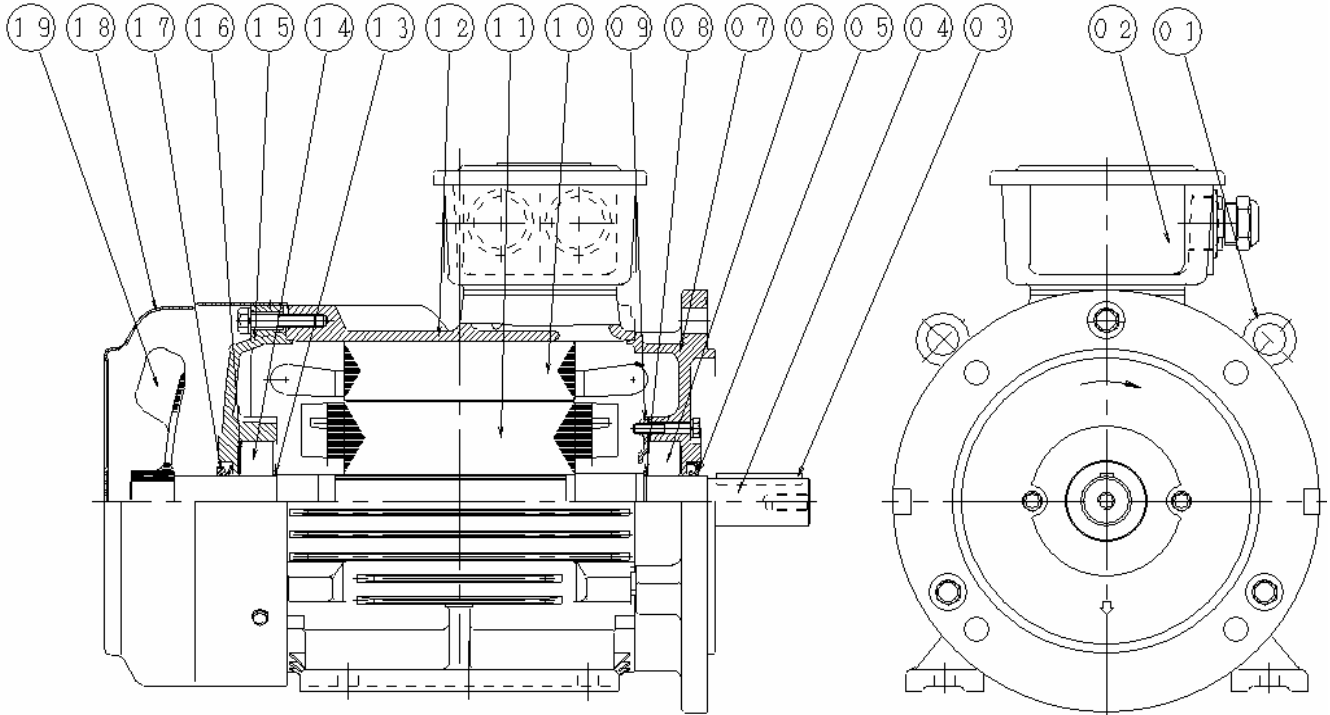
IE2 EFFICIENCY 3-PHASE INDUCTION MOTORS

PAGE

52 of 65

B35 (IM 2001) FRAME NOS. 90S ~ 112M

Totally Enclosed Fan - Cooled Type, Squirrel - Cage Rotor.



ITEM	NAME	ITEM	NAME
1	EYE BOLT	11	ROTOR
2	TERMINAL BOX	12	FRAME
3	DOUBLE FLAT HEADED KEY	13	STOP RING - BEARING
4	SHAFT	14	BEARING
5	OIL SEAL	15	END BRACKET
6	BEARING	16	PRE - LOAD SPRING
7	FLANGE	17	V RING
8	STOP RING - BEARING	18	FAN COVER
9	BEARING COVER - INNER	19	EXTERNAL FAN
10	STATOR		

APPD.

H.C.YAN

25-Sep-12

CHKD.

SHITOU

25-Sep-12

DWN.

TDY

25-Sep-12

TECO Electric &amp; Machinery Co., Ltd.

Wuxi, China

DWG NO.

**32057R9254**

Rev. 02

2/5

ISSUED

25-Sep-12

**SCHEMATIC DRAWING**

MODEL

**AEEV1H**

REVISED

28-Feb-13

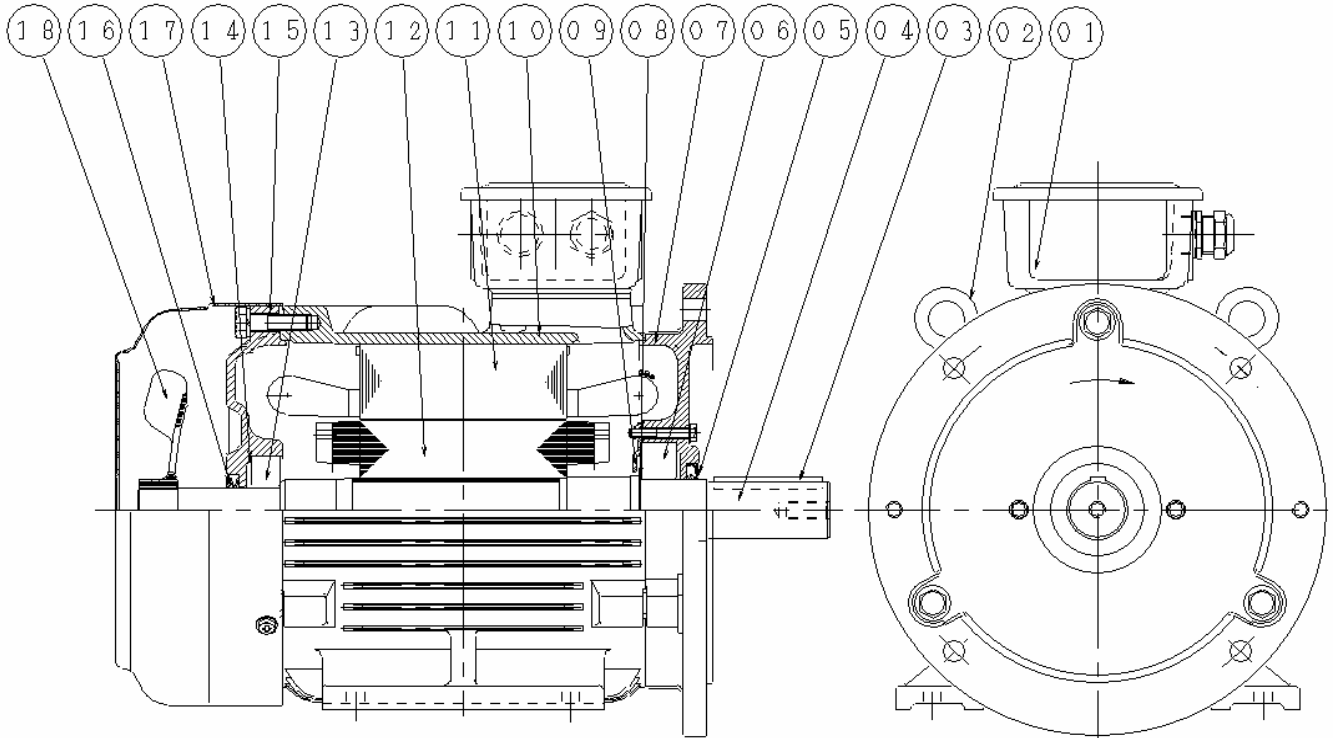
IE2 EFFICIENCY 3-PHASE INDUCTION MOTORS

PAGE

53 of 65

B35 (IM 2001) FRAME NOS. 132S ~ 132M

Totally Enclosed Fan - Cooled Type, Squirrel - Cage Rotor.



ITEM	NAME	ITEM	NAME
1	TERMINAL BOX	11	STASOR
2	EYE BOLT	12	ROTOR
3	DOUBLE FLAT HEADED KEY	13	BEARING
4	SHAFT	14	END BRACKET
5	OIL SEAL	15	PRE - LOAD SPRING
6	BEARING	16	FAN COVER
7	FLANGE	17	V RING
8	STOP RING - BEARING	18	EXTERNAL FAN
9	BEARING COVER - INNER		
10	FRAME		

APPD.

H.C.YAN

25-Sep-12

CHKD.

SHITOU

25-Sep-12

DWN.

TDY

25-Sep-12

TECO Electric &amp; Machinery Co., Ltd.

Wuxi, China

DWG NO.

**32057R9254**

Rev. 02

3/5

ISSUED

25-Sep-12

**SCHEMATIC DRAWING**

MODEL

**AEEV1H**

REVISED

28-Feb-13

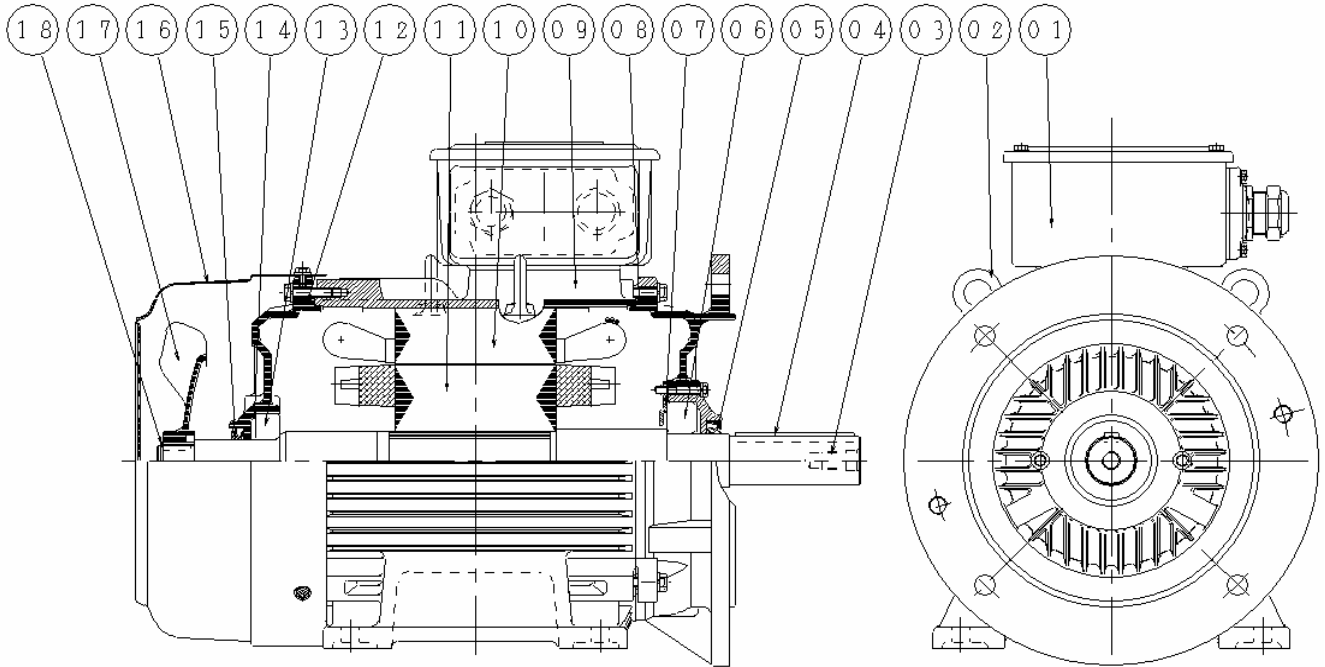
IE2 EFFICIENCY 3-PHASE INDUCTION MOTORS

PAGE

54 of 65

B35 (IM 2001) FRAME NOS. 160M ~ 160L

Totally Enclosed Fan - Cooled Type, Squirrel - Cage Rotor.



ITEM	NAME	ITEM	NAME
1	TERMINAL BOX	11	ROTOR
2	EYE BOLT	12	END BRACKET
3	SHAFT	13	BEARING
4	DOUBLE FLAT HEADED KEY	14	PRE - LOAD SPRING
5	OIL SEAL	15	V RING
6	BEARING	16	FAN COVER
7	BEARING COVER - INNER	17	EXTERNAL FAN
8	FLANGE	18	OUTSIDE RETAINING RING
9	FRAME		
10	STATOR		

APPD.

H.C.YAN

25-Sep-12

CHKD.

SHITOU

25-Sep-12

DWN.

TDY

25-Sep-12

TECO Electric &amp; Machinery Co., Ltd.

Wuxi, China

DWG NO.

**32057R9254**

Rev. 02

4/5



ISSUED

25-Sep-12

REVISED

28-Feb-13

**SCHEMATIC DRAWING**

IE2 EFFICIENCY 3-PHASE INDUCTION MOTORS

B35 (IM 2001) FRAME NOS. 180M ~ 250M

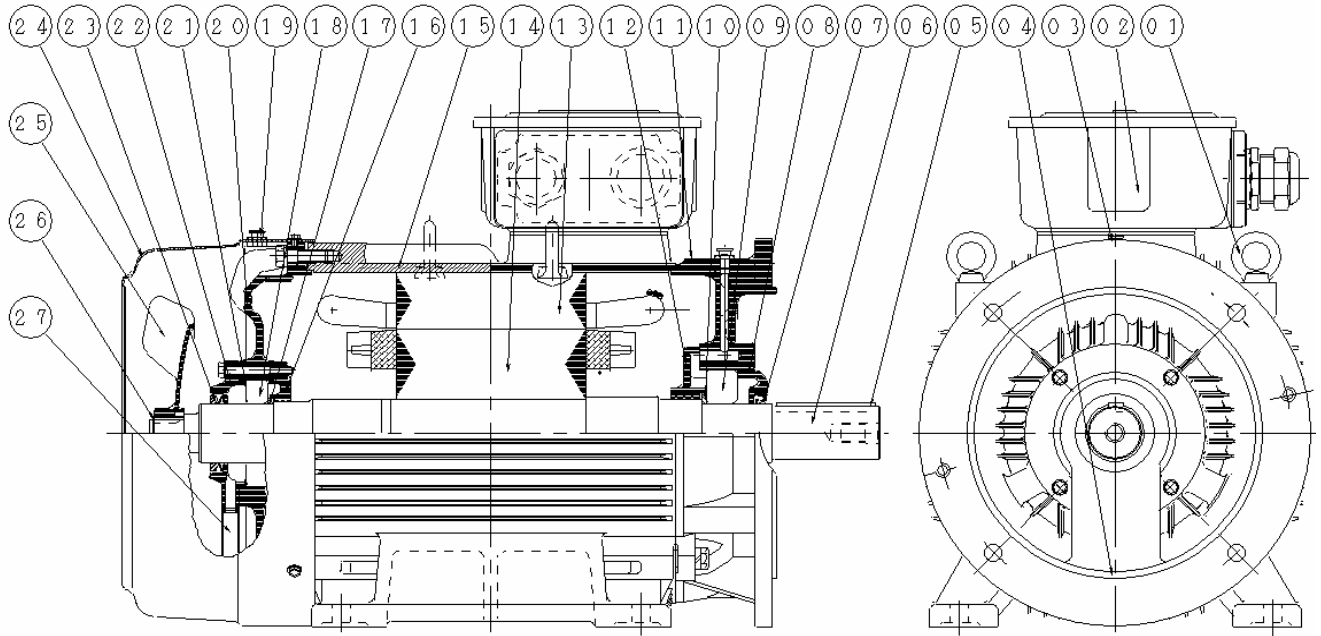
MODEL

**AEEV1H**

PAGE

55 of 65

Totally Enclosed Fan - Cooled Type, Squirrel - Cage Rotor.



ITEM	NAME	ITEM	NAME
1	EYE BOLT	15	FRAME
2	TERMINAL BOX	16	BEARING COVER - INNER
3	GREASE NIPPLE	17	STOP RING - BEARING
4	OIL DRAIN COVER	18	BEARING
5	DOUBLE FLAT HEADED KEY	19	GREASE NIPPLE
6	SHAFT	20	END BRACKET
7	OIL SEAL	21	PRE - LOAD SPRING
8	BEARING COVER - OUTER	22	BEARING COVER - OUTER
9	BEARING	23	V RING
10	STOP RING - BEARING	24	FAN COVER
11	FLANGE	25	EXTERNAL FAN
12	BEARING COVER - INNER	26	OUTSIDE RETAINING RING
13	STATOR	27	OIL DRAIN COVER
14	ROTOR		

Note : There is four holes on flange of frame 180M ~ 200L.

There is eight holes on flange of frame 225S ~ 250M.

APPD. H.C.YAN 25-Sep-12

CHKD. SHITOU 25-Sep-12

DWN. TDY 25-Sep-12

TECO Electric &amp; Machinery Co., Ltd.

Wuxi, China

DWG NO.

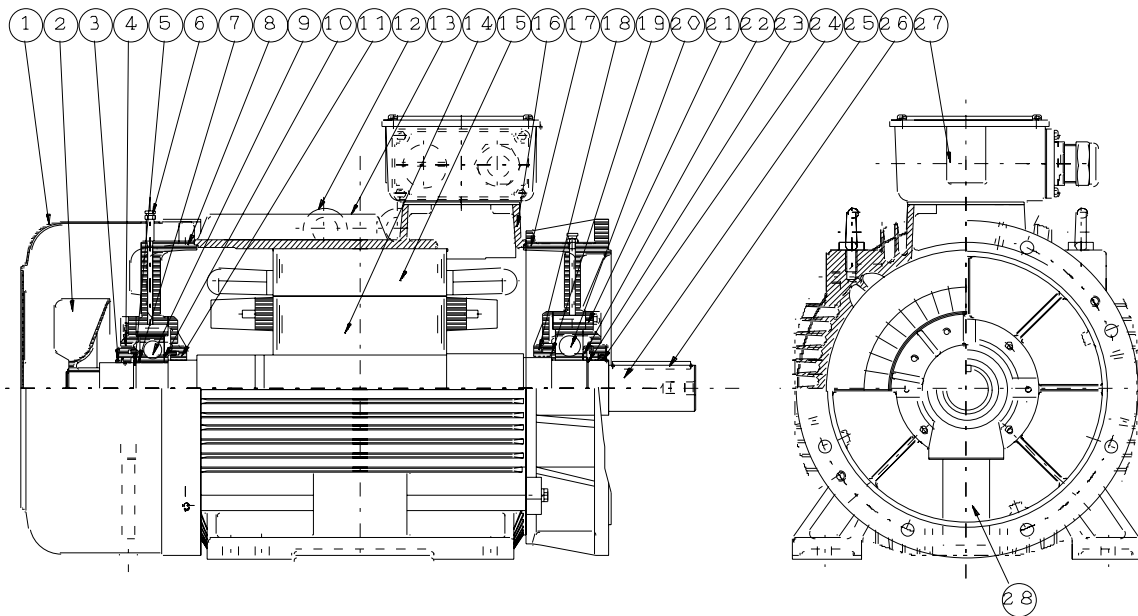
**32057R9254**

Rev. 02

5/5

ISSUED 25-Sep-12	<b>SCHEMATIC DRAWING</b>	MODEL <b>AEEV1H</b>
REVISED 17-Nov-12		IE2 EFFICIENCY 3-PHASE INDUCTION MOTORS B35 (IM 2001) FRAME NOS. 280S ~ 315L

Totally Enclosed Fan - Cooled Type, Squirrel - Cage Rotor.



ITEM	NAME	ITEM	NAME
1	FAN COVER	16	FRAME
2	EXTERNAL FAN	17	FLANGE
3	OIL SEAL	18	BEARING COVER - INNER
4	BEARING COVER - OUTER	19	GREASE FLINGER
5	OUTSIDE RETAINING RING	20	BEARING
6	GREASE NIPPLE	21	BEARING COVER - OUTER
7	GREASE FLINGER	22	GREASE FLINGER
8	END BRACKET	23	OUTSIDE RETAINING RING
9	BEARING	24	OIL SEAL
10	GREASE FLINGER	25	SHAFT
11	BEARING COVER - INNER	26	KEY
12	EYE BOLT	27	TERMINAL BOX
13	NAME PLATE	28	OIL DRAIN COVER
14	ROTOR		
15	STATOR		

APPD.	Ben Yang	25-Sep-12	<b>TECO Electric &amp; Machinery Co., Ltd.</b> <b>Wuxi, China</b>	DWG NO.	<b>3W049U312</b>
CHKD.	J.LIU	25-Sep-12		REV. 01	
DWN.	S.CAO	25-Sep-12		1/2	

ISSUED

25-Sep-12

REVISED

17-Nov-12

**SCHEMATIC DRAWING**

IE2 EFFICIENCY 3-PHASE INDUCTION MOTORS

B35 (IM 2001) FRAME NOS. 315D ~ 355L

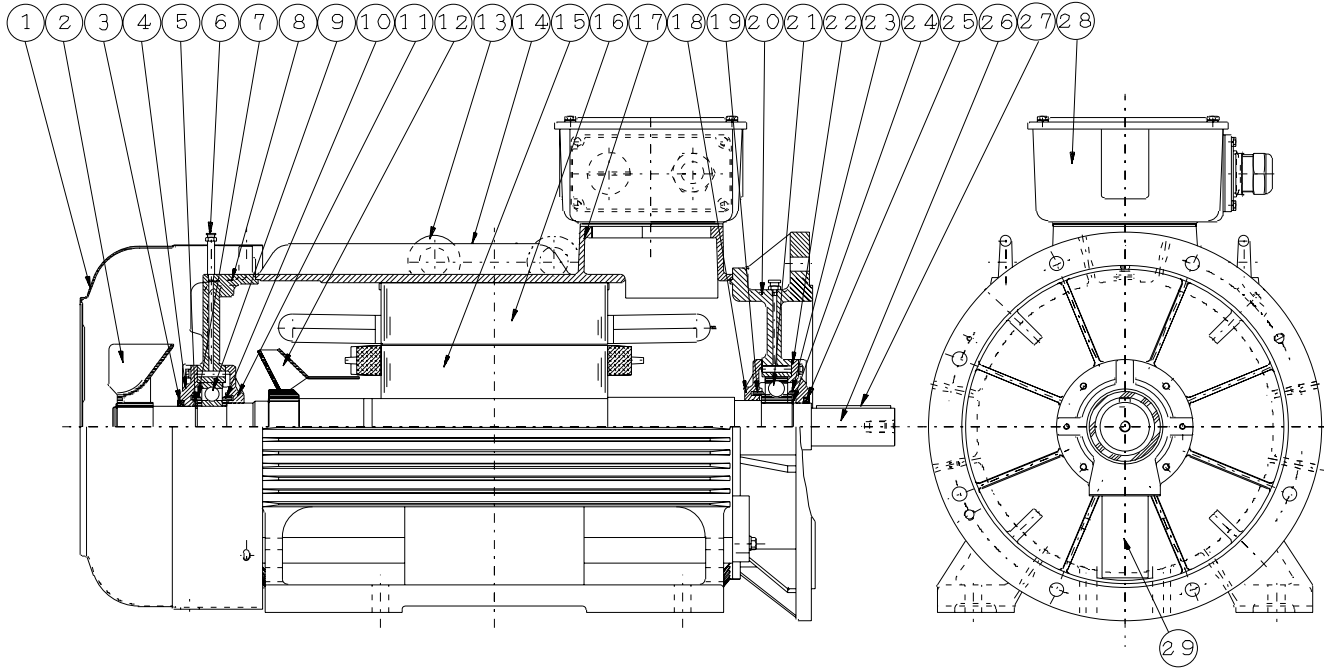
MODEL

**AEEV1H**

PAGE

57 of 65

Totally Enclosed Fan - Cooled Type, Squirrel - Cage Rotor.



ITEM	NAME	ITEM	NAME
1	FAN COVER	17	FRAME
2	EXTERNAL FAN	18	BEARING COVER - INNER
3	OIL SEAL	19	GREASE FLINGER
4	BEARING COVER - OUTER	20	FLANGE
5	OUTSIDE RETAINING RING	21	BEARING
6	GREASE NIPPLE	22	BEARING COVER - OUTER
7	GREASE FLINGER	23	GREASE FLINGE
8	END BRACKET	24	OUTSIDE RETAINING RING
9	BEARING	25	OIL SEAL
10	GREASE FLINGER	26	SHAFT
11	BEARING COVER - INNER	27	KEY
12	INNER FAN	28	TERMINAL BOX
13	EYE BOLT	29	OIL DRAIN COVER
14	NAME PLATE		
15	ROTOR		
16	STATOR		

APPD. Ben Yang 25-Sep-12

CHKD. J.LIU 25-Sep-12

DWN. S.CAO 25-Sep-12

TECO Electric &amp; Machinery Co., Ltd.

Wuxi, China

DWG NO.

**3W049U312**

REV. 01

2/2

ISSUED

25-Sep-12

REVISED

28-Feb-13

**SCHEMATIC DRAWING**

IE2 EFFICIENCY 3-PHASE INDUCTION MOTORS

V1 (IM 3011) FRAME NOS. 80M

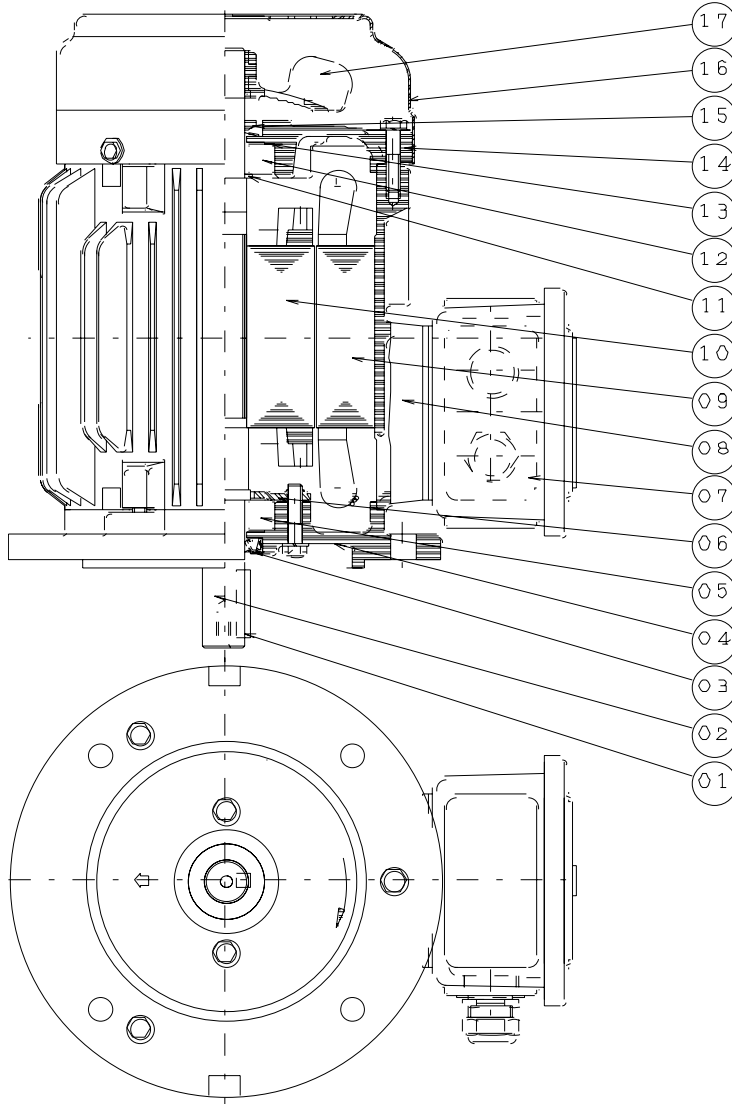
MODEL

**AEUV1H**

PAGE

58 of 65

Totally Enclosed Fan - Cooled Type, Squirrel - Cage Rotor.



ITEM	NAME
1	KEY
2	SHAFT
3	OIL SEAL
4	FLANGE
5	BEARING
6	BEARING COVER - INNER
7	TERMINAL BOX
8	FRAME
9	STATOR
10	ROTOR
11	STOP RING - BEARING
12	BEARING
13	PRE - LOAD SPRING
14	END BRACKET
15	V RING
16	FAN COVER
17	EXTERNAL FAN

APPD. H.C.YAN 4-Mar-13

CHKD. SHITOU 4-Mar-13

DWN. TDY 28-Feb-13

TECO Electric &amp; Machinery Co., Ltd.

Wuxi, China

DWG NO.

**32057R9255**

REV. 02

1/5

ISSUED

25-Sep-12

REVISED

28-Feb-13

**SCHEMATIC DRAWING**

IE2 EFFICIENCY 3-PHASE INDUCTION MOTORS

V1 (IM 3011) FRAME NOS. 90S ~ 112M

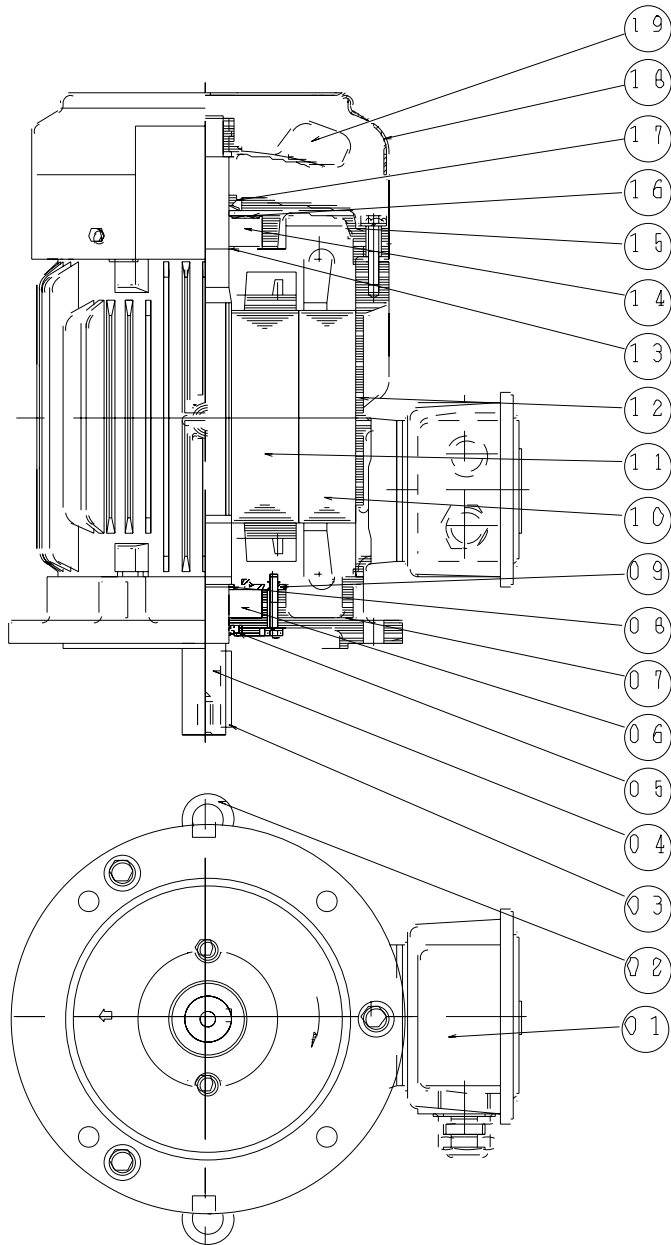
MODEL

**AEUV1H**

PAGE

59 of 65

Totally Enclosed Fan - Cooled Type, Squirrel - Cage Rotor.



ITEM	NAME
1	TERMINAL BOX
2	EYE BOLT
3	KEY
4	SHAFT
5	OIL SEAL
6	BEARING
7	FLANGE
8	STOP RING - BEARING
9	BEARING COVER - INNER
10	STATOR
11	ROTOR
12	FRAME
13	STOP RING - BEARING
14	BEARING
15	END BRACKET
16	PRE - LOAD SPRING
17	V RING
18	FAN COVER
19	EXTERNAL FAN

APPD. H.C.YAN 4-Mar-13

CHKD. SHITOU 4-Mar-13

DWN. TDY 28-Feb-13

TECO Electric &amp; Machinery Co., Ltd.

Wuxi, China

DWG NO.

**32057R9255**

REV. 02

2/5

ISSUED

25-Sep-12

**SCHEMATIC DRAWING**

MODEL

**AEUV1H**

REVISED

28-Feb-13

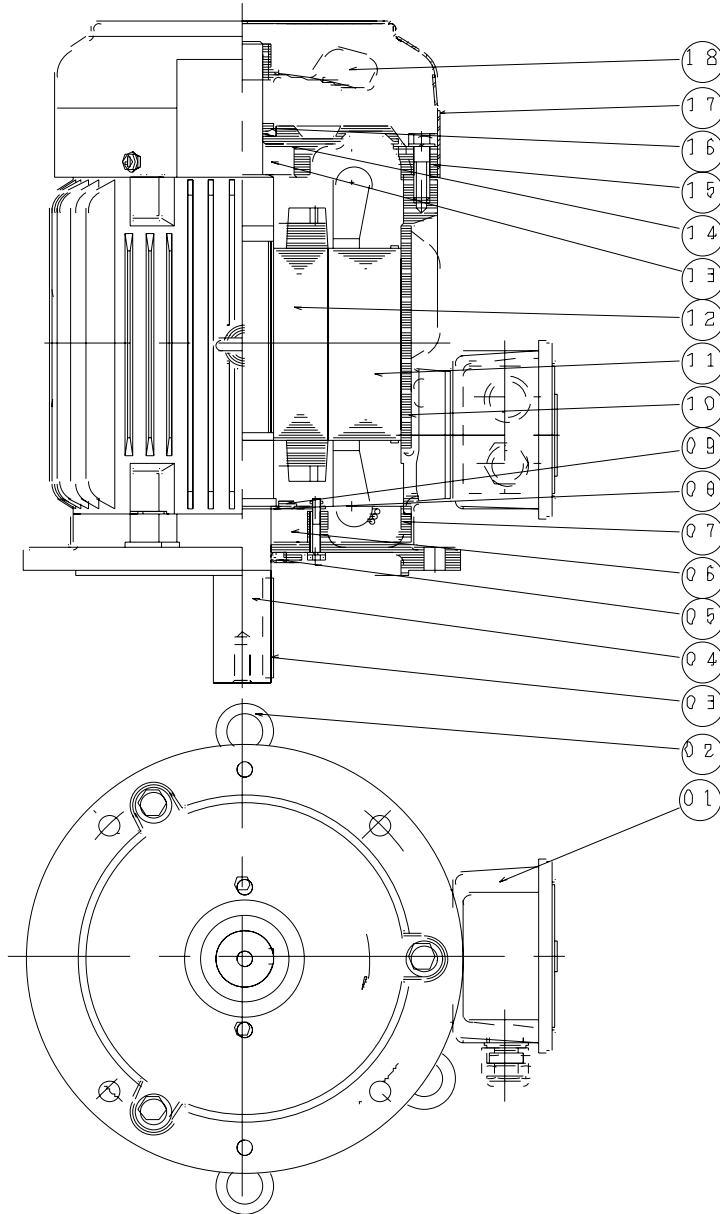
IE2 EFFICIENCY 3-PHASE INDUCTION MOTORS

PAGE

60 of 65

V1 (IM 3011) FRAME NOS. 132S ~ 132M

Totally Enclosed Fan - Cooled Type, Squirrel - Cage Rotor.



ITEM	NAME
1	TERMINAL BOX
2	EYE BOLT
3	KEY
4	SHAFT
5	OIL SEAL
6	BEARING
7	FLANGE
8	STOP RING - BEARING
9	BEARING COVER - INNER
10	FRAME
11	STATOR
12	ROTOR
13	BEARING
14	PRE - LOAD SPRING
15	END BRACKET
16	V RING
17	FAN COVER
18	EXTERNAL FAN

APPD.	H.C.YAN	4-Mar-13
CHKD.	SHITOU	4-Mar-13
DWN.	TDY	28-Feb-13

TECO Electric &amp; Machinery Co., Ltd.

Wuxi, China

DWG NO.

**32057R9255**

REV. 02

3/5

ISSUED

25-Sep-12

REVISED

28-Feb-13

**SCHEMATIC DRAWING**

IE2 EFFICIENCY 3-PHASE INDUCTION MOTORS

V1 (IM 3011) FRAME NOS. 160M ~ 160L

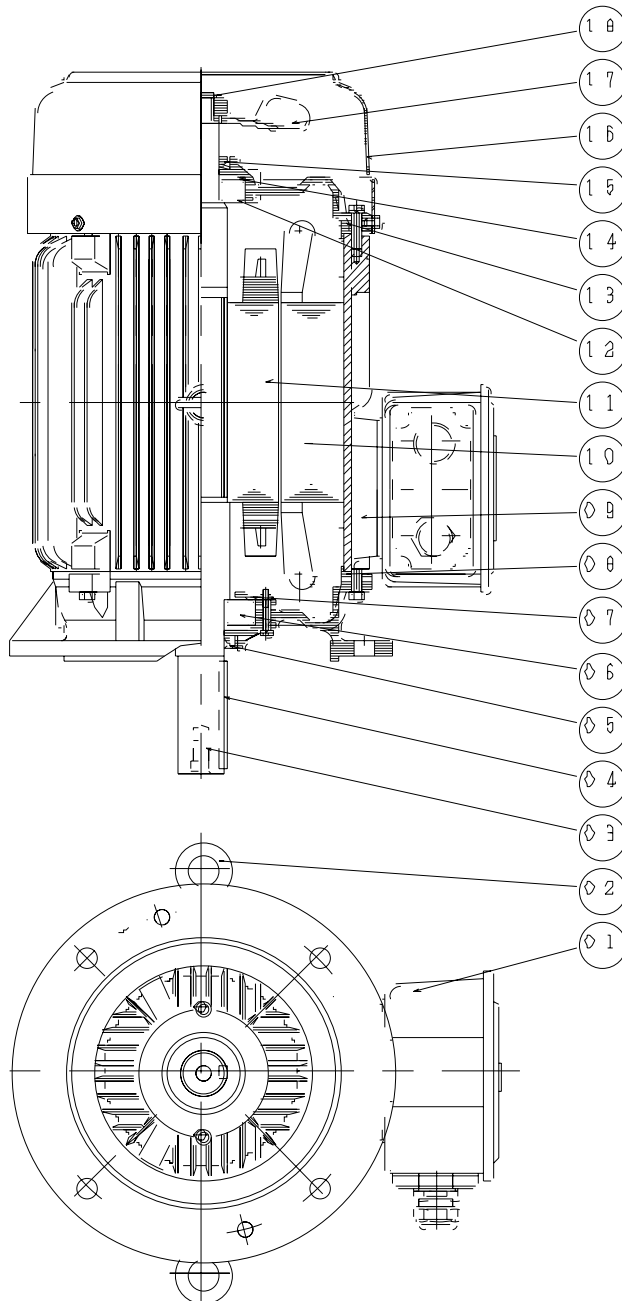
MODEL

**AEUV1H**

PAGE

61 of 65

Totally Enclosed Fan - Cooled Type, Squirrel - Cage Rotor.



ITEM	NAME
1	TERMINAL BOX
2	EYE BOLT
3	SHAFT
4	KEY
5	OIL SEAL
6	BEARING
7	BEARING COVER - INNER
8	FLANGE
9	FRAME
10	STATOR
11	ROTOR
12	BEARING
13	END BRACKET
14	PRE - LOAD SPRING
15	V RING
16	FAN COVER
17	EXTERNAL FAN
18	OUTSIDE RETAINING RING

APPD. H.C.YAN 4-Mar-13

CHKD. SHITOU 4-Mar-13

DWN. TDY 28-Feb-13

TECO Electric &amp; Machinery Co., Ltd.

Wuxi, China

DWG NO.

**32057R9255**

REV. 02

4/5

ISSUED

25-Sep-12

REVISED

28-Feb-13

**SCHEMATIC DRAWING**

IE2 EFFICIENCY 3-PHASE INDUCTION MOTORS

V1 (IM 3011) FRAME NOS. 180M ~ 250M

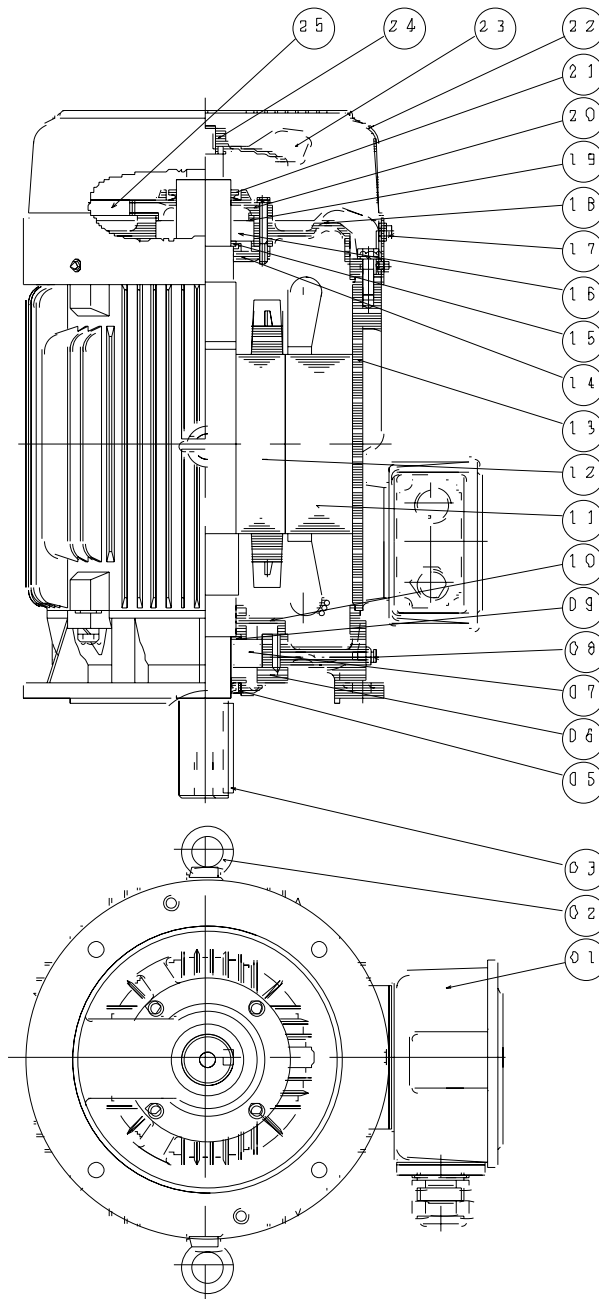
MODEL

**AEUV1H**

PAGE

62 of 65

Totally Enclosed Fan - Cooled Type, Squirrel - Cage Rotor.



ITEM	NAME
1	TERMINAL BOX
2	EYE BOLT
3	KEY
4	SHAFT
5	OIL SEAL
6	FLANGE
7	BEARING
8	GREASE NIPPLE
9	STOP RING - BEARING
10	BEARING COVER - INNER
11	STATOR
12	ROTOR
13	FRAME
14	BEARING COVER - INNER
15	STOP RING - BEARING
16	BEARING
17	GREASE NIPPLE
18	END BRACKET
19	PRE - LOAD SPRING
20	BEARING COVER - OUTER
21	V RING
22	FAN COVER
23	EXTERNAL FAN
24	OUTSIDE RETAINING RING
25	OIL DRAIN COVER

Note : There is four holes on flange of frame 180M ~ 200L.

There is eight holes on flange of frame 225S ~ 250M.

APPD. H.C.YAN 4-Mar-13

CHKD. SHITOU 4-Mar-13

DWN. TDY 28-Feb-13

TECO Electric &amp; Machinery Co., Ltd.

Wuxi, China

DWG NO.

**32057R9255**

REV. 02

5/5



ISSUED

25-Sep-12

**SCHEMATIC DRAWING**

MODEL

**AEUV1H**

REVISED

17-Nov-12

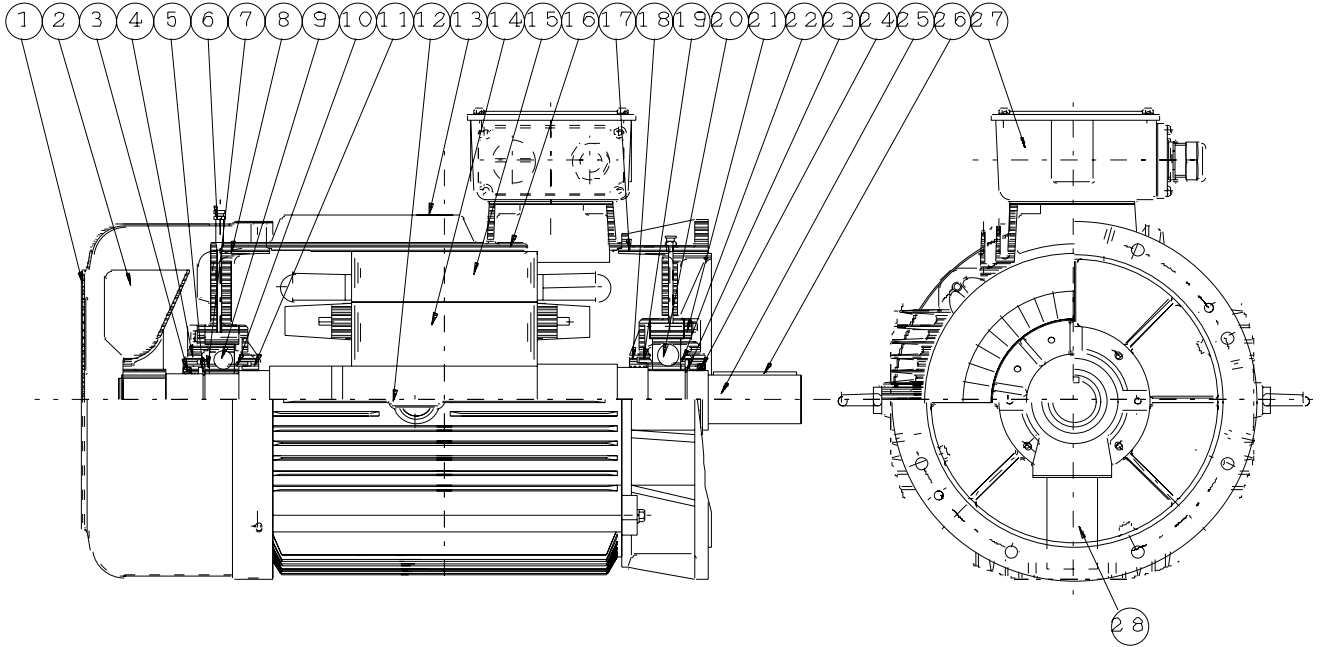
IE2 EFFICIENCY 3-PHASE INDUCTION MOTORS

PAGE

63 of 65

V1 (IM 3011) FRAME NOS. 280S ~ 280M

Totally Enclosed Fan - Cooled Type, Squirrel - Cage Rotor.



ITEM	NAME	ITEM	NAME
1	FAN COVER	16	FRAME
2	EXTERNAL FAN	17	FLANGE
3	OIL SEAL	18	BEARING COVER - INNER
4	BEARING COVER - OUTER	19	GREASE FLINGER
5	OUTSIDE RETAINING RING	20	BEARING
6	GREASE NIPPLE	21	BEARING COVER - OUTER
7	GREASE FLINGER	22	GREASE FLINGER
8	END BRACKET	23	OUTSIDE RETAINING RING
9	BEARING	24	OIL SEAL
10	GREASE FLINGER	25	SHAFT
11	BEARING COVER - INNER	26	KEY
12	EYE BOLT	27	TERMINAL BOX
13	NAME PLATE	28	OIL DRAIN COVER
14	ROTOR		
15	STATOR		

APPD. Ben Yang 25-Sep-12

CHKD. J.LIU 25-Sep-12

DWN. S.CAO 25-Sep-12

TECO Electric &amp; Machinery Co., Ltd.

Wuxi, China

DWG NO.

**3W049U375**

REV. 01

1/3

ISSUED

25-Sep-12

**SCHEMATIC DRAWING**

MODEL

**AEUV1H**

REVISED

17-Nov-12

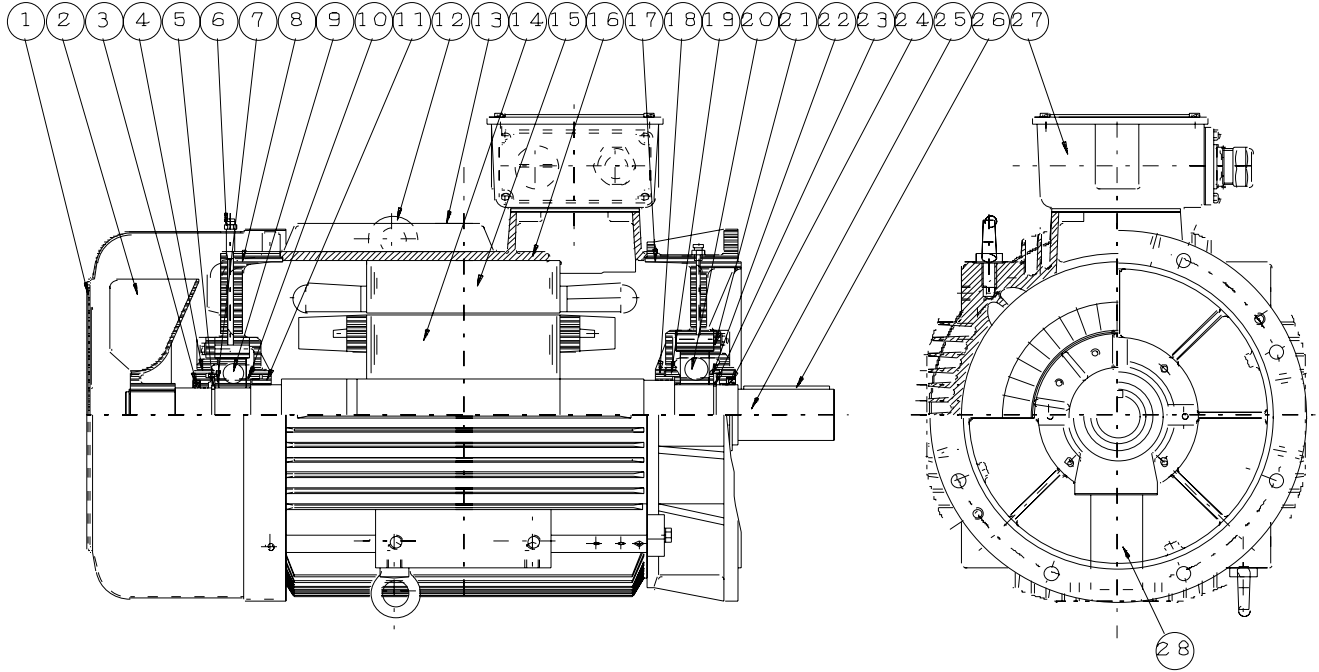
IE2 EFFICIENCY 3-PHASE INDUCTION MOTORS

PAGE

64 of 65

V1 (IM 3011) FRAME NOS. 315S ~ 315D

Totally Enclosed Fan - Cooled Type, Squirrel - Cage Rotor.



ITEM	NAME	ITEM	NAME
1	FAN COVER	16	FRAME
2	EXTERNAL FAN	17	FLANGE
3	OIL SEAL	18	BEARING COVER - INNER
4	BEARING COVER - OUTER	19	GREASE FLINGER
5	OUTSIDE RETAINING RING	20	BEARING
6	GREASE NIPPLE	21	BEARING COVER - OUTER
7	GREASE FLINGER	22	GREASE FLINGER
8	END BRACKET	23	OUTSIDE RETAINING RING
9	BEARING	24	OIL SEAL
10	GREASE FLINGER	25	SHAFT
11	BEARING COVER - INNER	26	KEY
12	EYE BOLT	27	TERMINAL BOX
13	NAME PLATE	28	OIL DRAIN COVER
14	ROTOR		
15	STATOR		

APPD.

Ben Yang

25-Sep-12

CHKD.

J.LIU

25-Sep-12

DWN.

S.CAO

25-Sep-12

TECO Electric &amp; Machinery Co., Ltd.

Wuxi, China

DWG NO.

**3W049U375**

REV. 01

2/3

ISSUED

25-Sep-12

**SCHEMATIC DRAWING**

MODEL

**AEUV1H**

REVISED

17-Nov-12

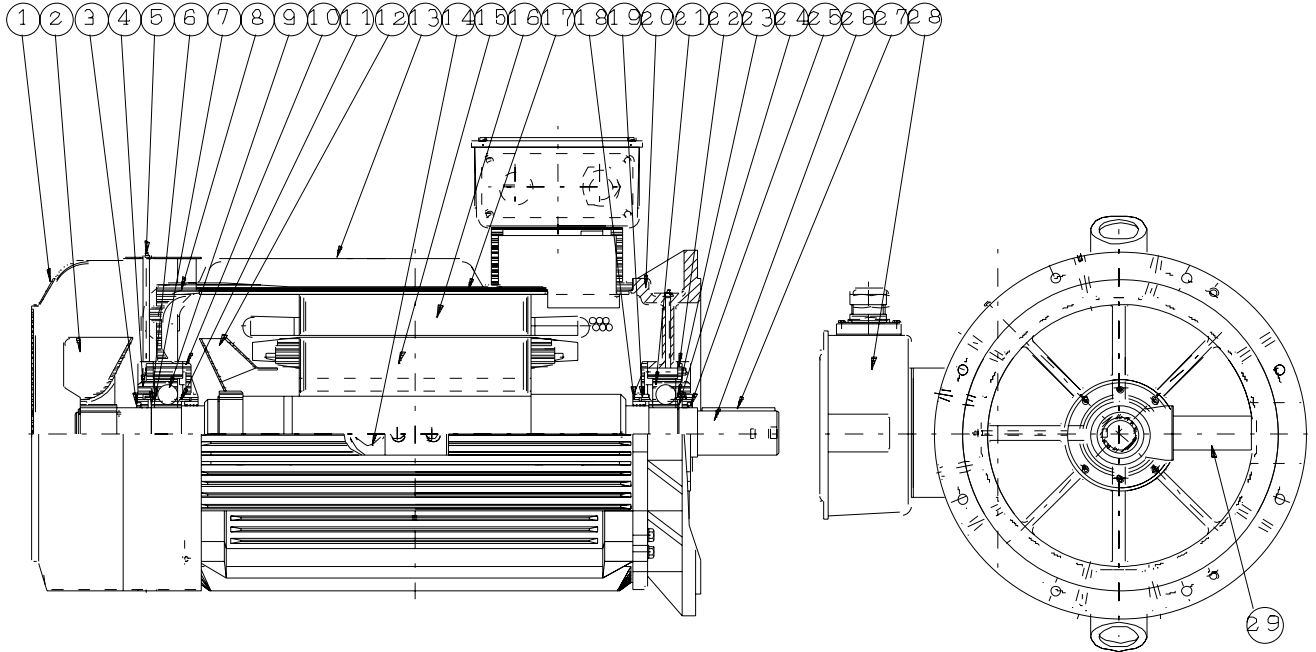
IE2 EFFICIENCY 3-PHASE INDUCTION MOTORS

PAGE

65 of 65

V1 (IM 3011) FRAME NOS. 355M ~ 355L

Totally Enclosed Fan - Cooled Type, Squirrel - Cage Rotor.



ITEM	NAME	ITEM	NAME
1	FAN COVER	16	STATOR
2	EXTERNAL FAN	17	FRAME
3	OIL SEAL	18	BEARING COVER - INNER
4	BEARING COVER - OUTER	19	GREASE FLINGER
5	GREASE NIPPLE	20	FLANGE
6	OUTSIDE RETAINING RING	21	BEARING
7	GREASE FLINGER	22	BEARING COVER - OUTER
8	END BRACKET	23	GREASE FLINGER
9	BEARING	24	OUTSIDE RETAINING RING
10	BEARING COVER - INNER	25	OIL SEAL
11	GREASE FLINGER	26	SHAFT
12	INNER FAN	27	KEY
13	NAME PLATE	28	TERMINAL BOX
14	HOOK	29	OIL DRAIN COVER
15	ROTOR		

APPD.

Ben Yang

25-Sep-12

CHKD.

J.LIU

25-Sep-12

DWN.

S.CAO

25-Sep-12

TECO Electric &amp; Machinery Co., Ltd.

Wuxi, China

DWG NO.

**3W049U375**

REV. 01

3/3