

TECHNICAL DATA

Coil Type – 1.50” MEM126
Voltage – 230v 50Hz

Coil Resistance at 21°C. –
63.1 Ohms

Input Power at 230V 50Hz–
26 Watts

Nominal Current at 230v 50Hz –
0.25Amps

Stall Current at 230v 50Hz –
0.36Amps

Output torque of motor – 250g/cm

Thermal Protection –
125° Thermostat

Duty Cycle – Continuous

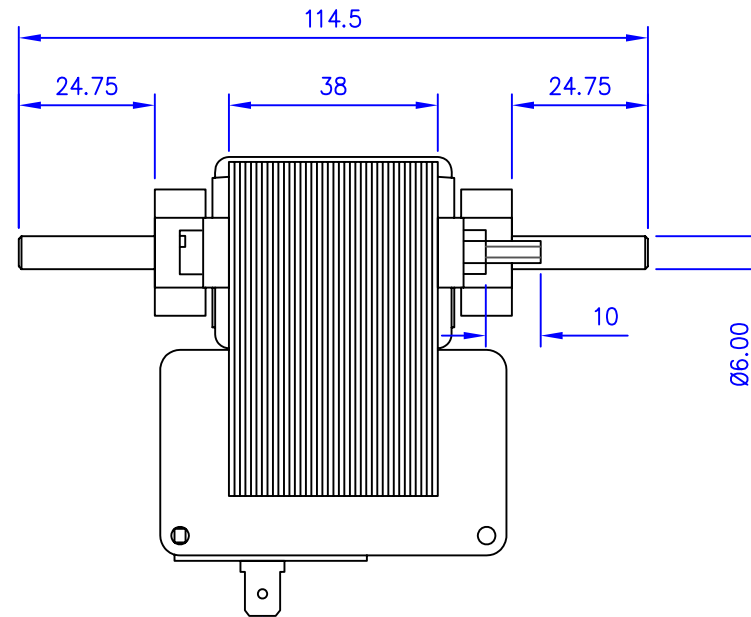
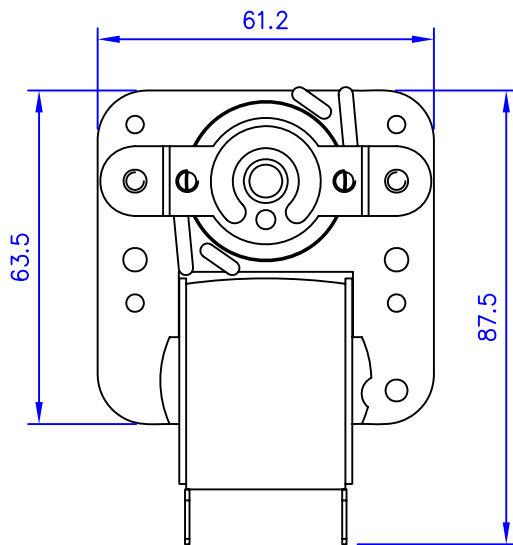
No Load Speed at 230v 50Hz –
2850rpm.

Output Shaft Rotation when viewed
from front – CCW.

Temp Heat Rise –
21°C – 101°C / 3hrs



VIEW FROM
FRONT



6.35mm Male
Tags

LABEL DETAILS



MELLOR ELECTRICS Ltd
BLACKBURN ENGLAND

DESCRIPTION
MEM126 230v 50Hz – 1.50”

CUSTOMER
RS COMPONENTS

DRAWN LC 20/03/15

PART No
AC1115