

1 2 3 4 5 6 7 8 9 10

A A

B B

C C

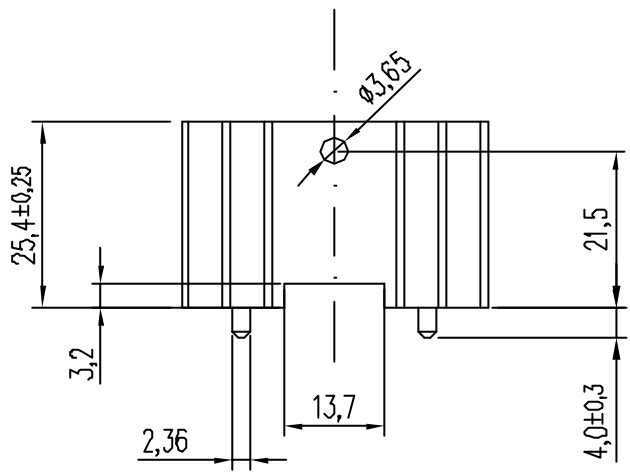
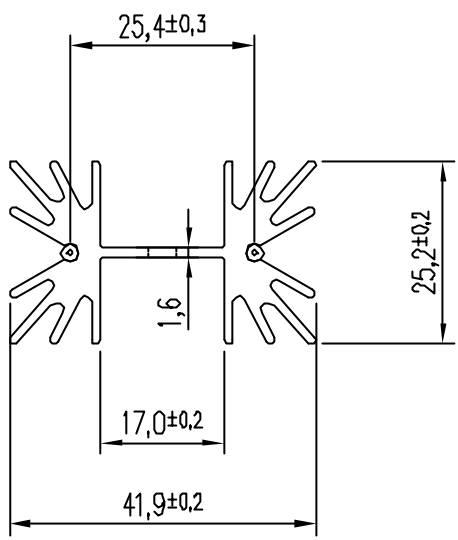
D D

E E

F F

G G

H H



Notes:	Scale				
	1:1				

THIS DOCUMENT CONTAINS Aavid THERMALLOY'S INTELLECTUAL PROPERTY WHICH IS SUPPLIED IN CONFIDENCE; IT MUST NOT BE USED FOR ANY PURPOSE OTHER THAN WHICH IT IS SUPPLIED; IT MUST NOT BE REPRODUCED WITHOUT WRITTEN PERMISSION FROM THE OWNERS

AAVID THERMALLOY
EUROPE www.aavidthermalloy.com

Via XXV Aprile, 88
40067 Cadriano - Bologna ITALY
Tel. ++39 051 784011
Fax ++39 051 784090

Cherney Manor
BWINDON WILTS SNIE 80N UK
Tel. ++44 1798 401408
Fax ++44 1798 615388

ISO 9001:2000

1	B	6Dic10	Modified description	MS
	A	02Jul04	ORIGINAL	
Format	A4	REV	Date	Revision description
Die n.	MATERIAL Aluminium EN AW-6060			DRAWING n. BC243
Factor	GENERAL TOLERANCES Extrusion UNI3879			Vls. n. 436940
Perin.	Machining UNI2768 m			Drawn R. Turdo
Area	FINISH BLACK ANODIZATION			Check
Weight				Description: ML97/25 with PINS

1 2 3 4 5 6 7 8 9 10