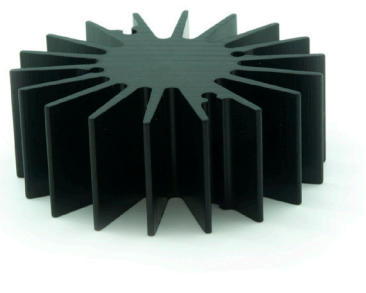
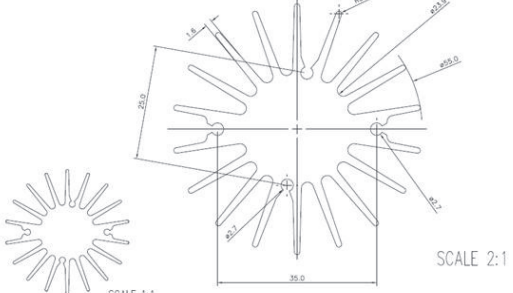
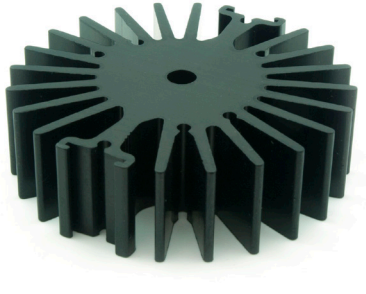
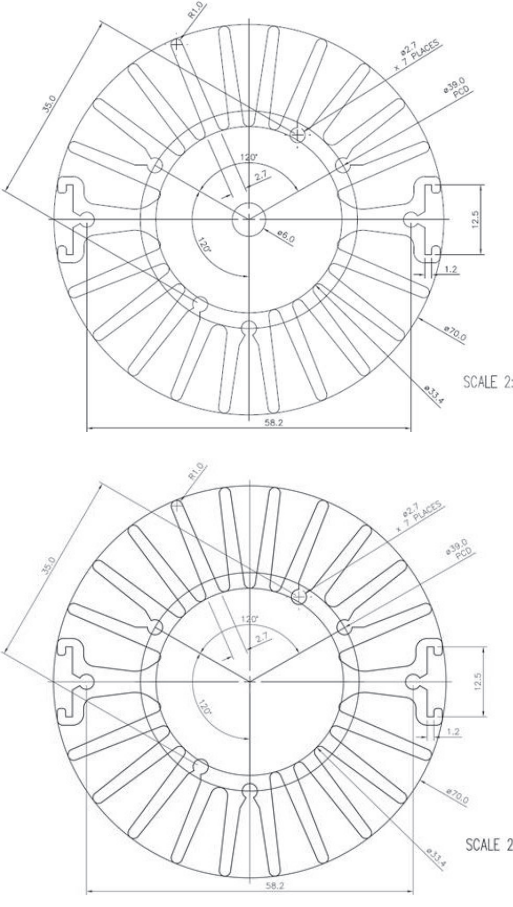


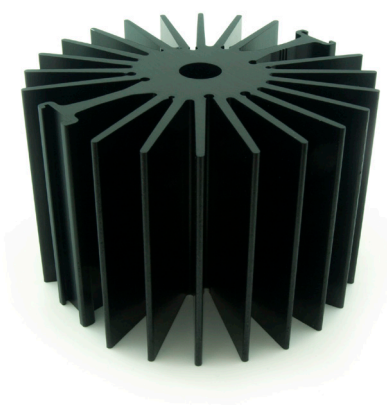
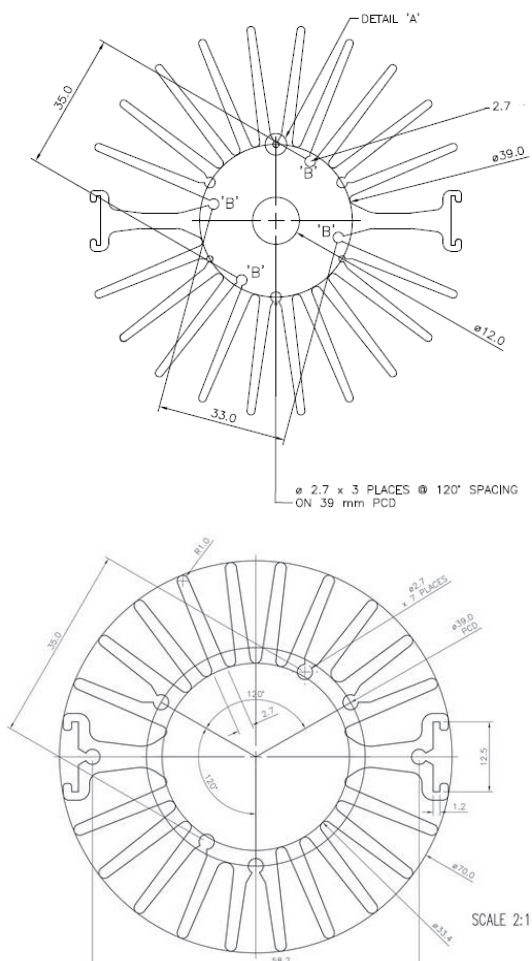
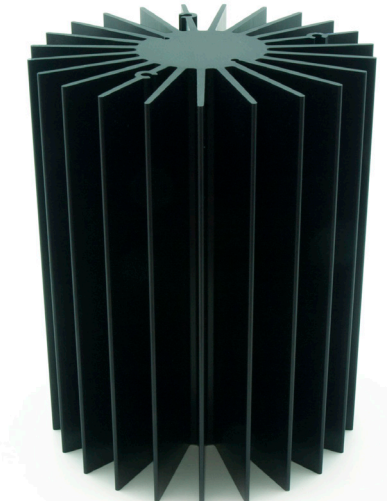
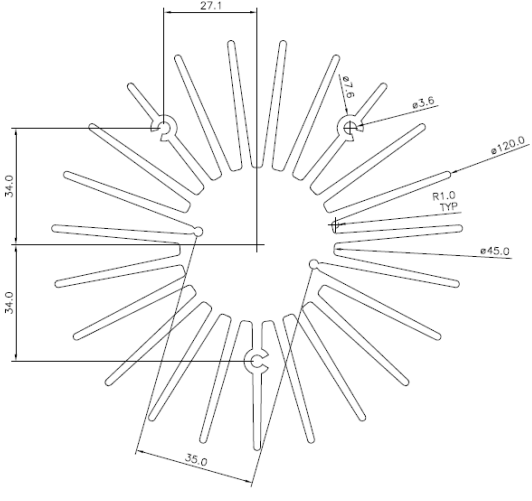
# Radial SCOB Heat Sinks

ILA-HSINK-RADL-XXXXXXXMM-BLK

## Product Overview

ILS has a series of Aluminium Alloy Heat Sinks to be used with our standard range of SCOB (Surface Mount Chip on Board) and are Zhaga compliant. As a standard these Heat Sinks are available in black but can also be purchased in silver, red and blue colour variants. More versions will be introduced in the coming months and we are also happy to manufacture custom Heat Sinks to your request.

Radial Heat Sink	Photo	Drawing
ILA-HSINK-RADL-55X##MM-BLK		
ILA-HSINK-RADL-70X##MM-BLK		Either version of the following drawings could be shipped 

Radial Heat Sink	Photo	Drawing
ILA-HSINK-RADL-110X##MM-BLK		<p>Either version of the following drawings could be shipped</p> 
ILA-HSINK-RADL-120X###MM-BLK		

**Product Options S8, S10 SCOBs**

ILS Product	ILA-HSINK-RADL-55X20MM-BLK	ILA-HSINK-RADL-70X20MM-BLK	ILA-HSINK-RADL-70X70MM-BLK	ILA-HSINK-RADL-110X65MM-BLK	ILA-HSINK-RADL-110X80MM-BLK	ILA-HSINK-RADL-120X150MM-BLK
ILO-01TTx-09xx-xC211.	Red	Green	Green	Green	Green	Green
ILO-01FFx-13xx-xC211.	Green	Green	Green	Green	Green	Green
ILO-04FFx-13xx-xP211.	Red	Red	Green	Green	Green	Green
ILO-05FFx-13x-xP211.	Red	Red	Green	Green	Green	Green
ILO-01TTx-13xx-xC211.	Red	Green	Green	Green	Green	Green
ILO-03FFx-19xx-xC211.	Red	Green	Green	Green	Green	Green
ILO-04FFx-19xx-xC211.	Red	Red	Green	Green	Green	Green
ILO-04TTx-23xx-xP211.	Red	Red	Red	Green	Green	Green
ILO-09FFx-23xx-xC211.	Red	Red	Red	Green	Green	Green
ILO-05FFx-23xx-xC211.	Red	Red	Green	Green	Green	Green
ILO-12FFx-23xx-xP211.	Red	Red	Red	Red	Green	Green
ILO-16FFx-33xx-xP211	Red	Red	Red	Red	Green	Green
ILO-26FFx-33xx-xP211.	Red	Red	Red	Red	Red	Green

	Operates under the recommended ILS junction temperature
	Operates under the recommended LED maximum junction temperature
	Not suitable for use
N/A	Heat Sink not designed for use with this product

**For further information please contact ILS.**

The values contained in this data sheet can change due to technical innovations. Any such changes will be made without separate notification.