

SF869I Low Loss RF Filter for ISM Application

This product is lead-free in compliance with RoHs 2002/95/EC.

Test conditions:

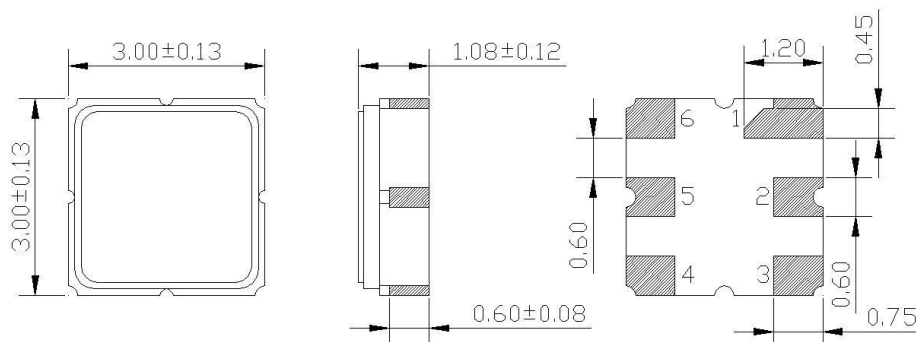
RF power	0 dBm	
temperature:	23 °C	
DC Voltage	0 V	
Terminating source impedance (Z_S):	50 Ω	No matching
Terminating load impedance (Z_L):	50 Ω	No matching

	minimum	typical	maximum	unit
Centre frequency		868.3		MHz
Insertion Loss in Pass Band 868.1 – 868.5 MHz		2.0	2.4	dB
Ripple in Pass Band 868.1 – 868.5 MHz		0.2	0.3	dB
VSWR in Pass Band 868.1 – 868.5 MHz		1.3	1.5	
Rejection				
0.0 MHz – 300.0 MHz	45	48		dB
300.0 MHz – 856.5 MHz	40	43		dB
856.5 MHz – 859.5 MHz	15	25		dB
876.5 MHz – 882.0 MHz	15	25		dB
882.0 MHz – 1500.0 MHz	48	52		dB
1500.0 MHz – 2600.0 MHz	40	45		dB
RF Power			25	dBm
Operating temperature range	-40		+85	°C
Storage temperature range	-40		+85	°C
Temperature coefficient of frequency		-31.0		ppm/K

Limit Lines are valid at room temperature.

Electrostatic Sensitive Device

Package: S25 / 3.0*3.0mm²

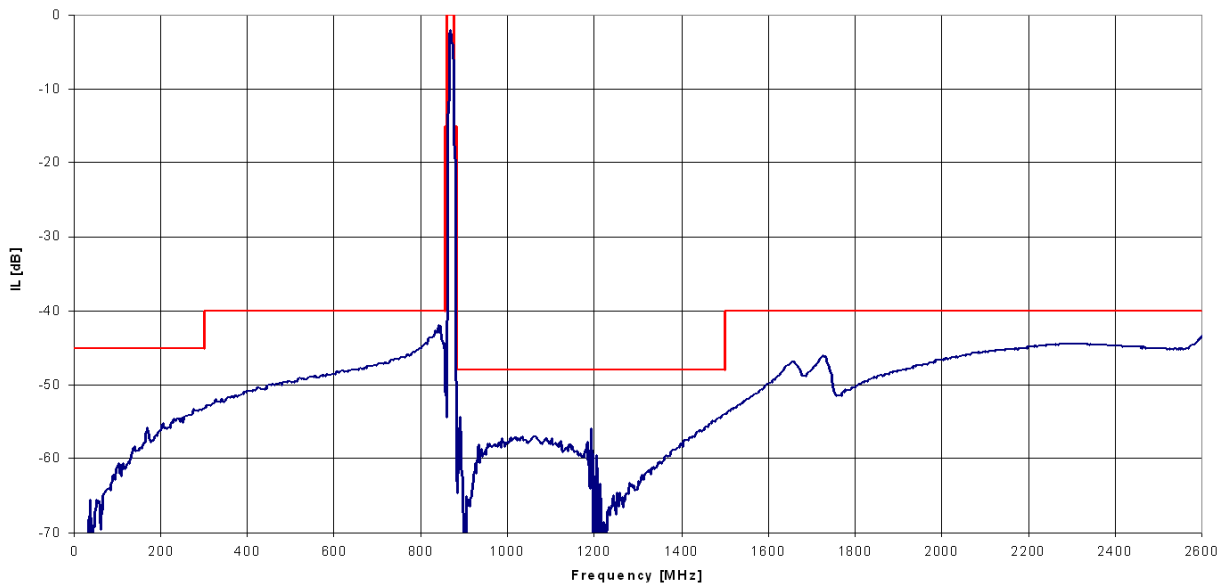
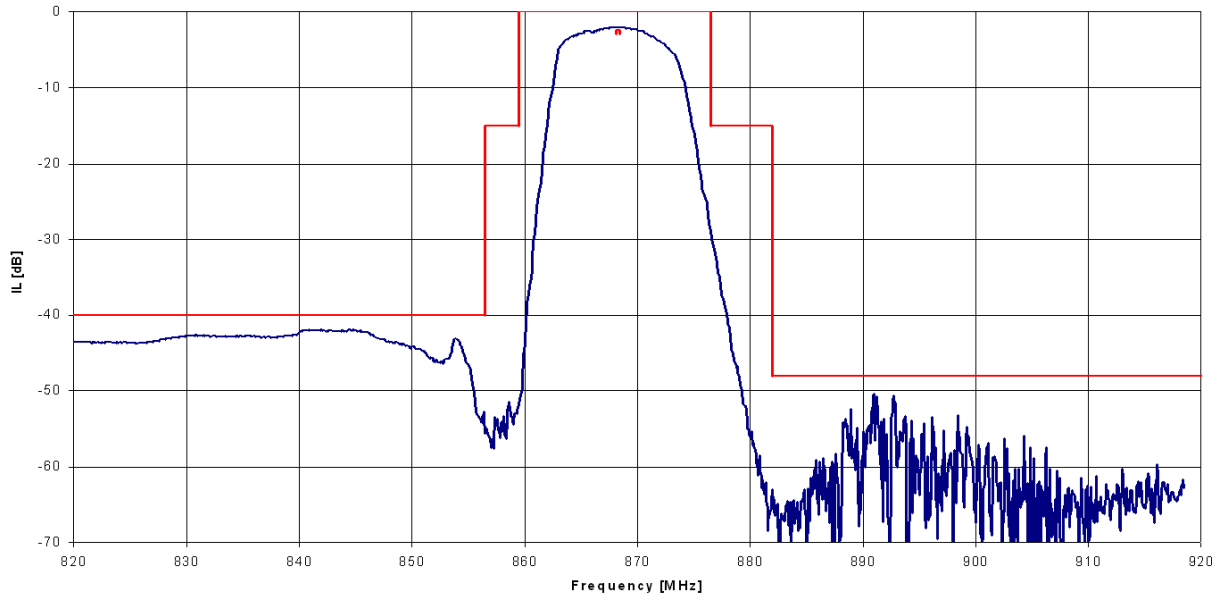


All dimensions in mm

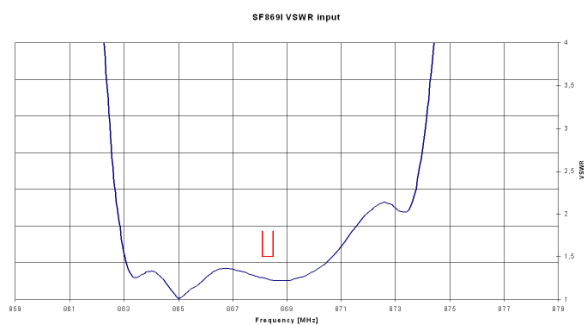
Pin 2 Input
Pin 1, 4 Case ground

Pin 5 Output
Pin 3, 6 To be grounded

Typical performance:



VSWR in



VSWR out

