

SF2462C Low Loss RF Filter for ISM Application

This product is lead-free in compliance with RoHS 2002/95/EC.

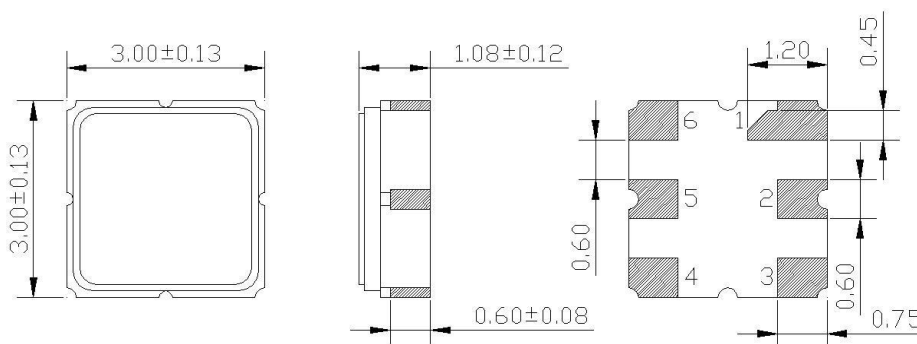
Test conditions:

RF power	0 dBm	
temperature:	23 °C	
DC Voltage	0 V	
Terminating source impedance (Z_S):	50 Ω	<input checked="" type="checkbox"/> Matching Required
Terminating load impedance (Z_L):	50 Ω	<input checked="" type="checkbox"/> Matching Required

	minimum	typical	maximum	unit
Centre frequency		2462.5		MHz
Insertion Loss in Pass Band 2444.5 MHz – 2480.5 MHz		1.7	3.5	dB
Ripple in Pass Band 2444.5 MHz – 2480.5 MHz		0.6	2	dB
VSWR 2444.5 MHz – 2480.5 MHz		1.4	1.8	
Rejection				
500 MHz – 2000 MHz	50	60		dB
2000 MHz – 2350 MHz	35	40		dB
2350 MHz – 2370 MHz	20	25		dB
2530 MHz – 2650 MHz	30	35		dB
2650 MHz – 3100 MHz	40	45		dB
3100 MHz – 3800 MHz	30	35		dB
3800 MHz – 4000 MHz	15	20		dB
RF Power			20	dBm
Operating temperature range	-25		+70	°C
Storage temperature range	-40		+85	°C
Temperature coefficient of frequency		-31.0		ppm/K

Electrostatic Sensitive Device

Package: S25 / 3*3mm²

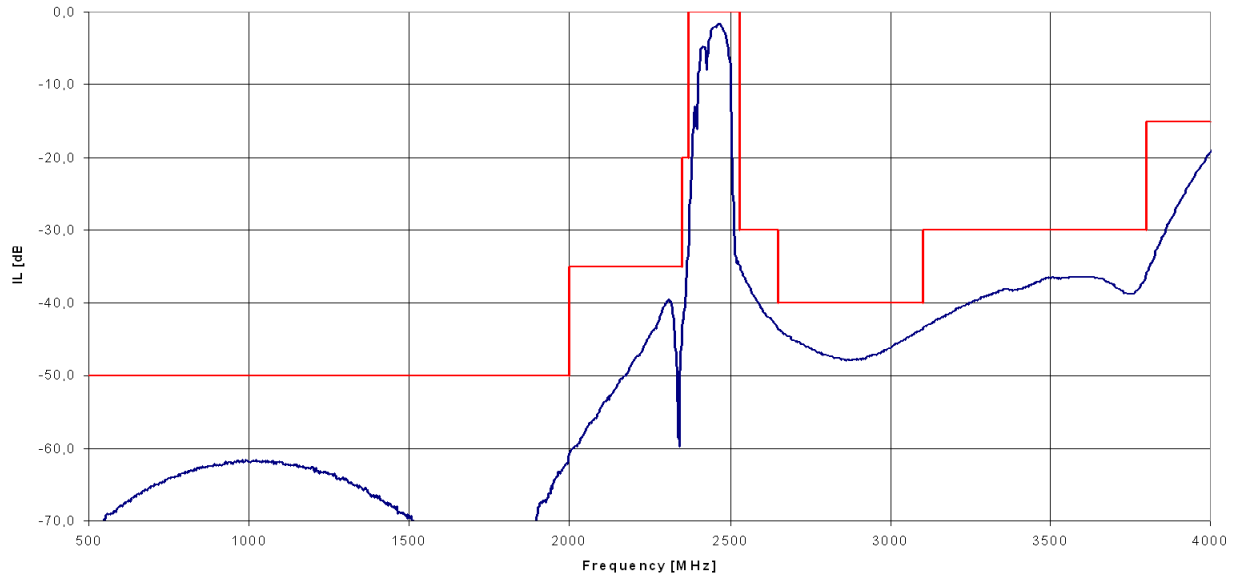
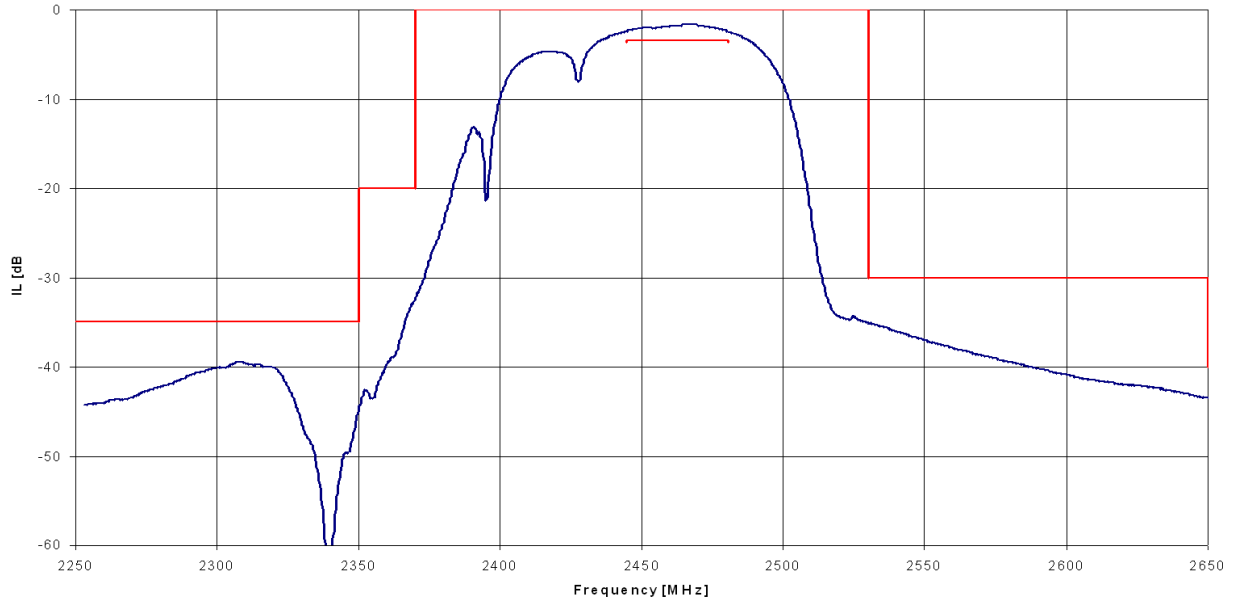


All dimensions in mm

Pin 2 Input
Pin 5 Output

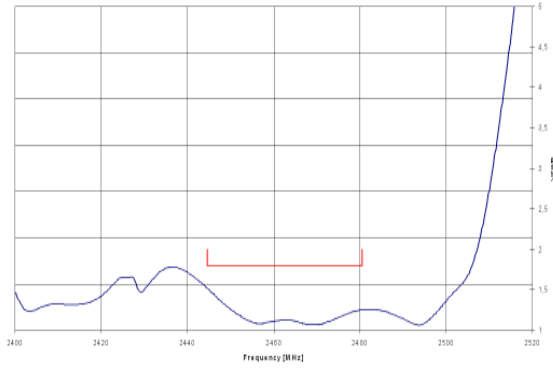
Pin 1, 4 Case ground
Pin 3, 6 To be grounded

Typical performance:

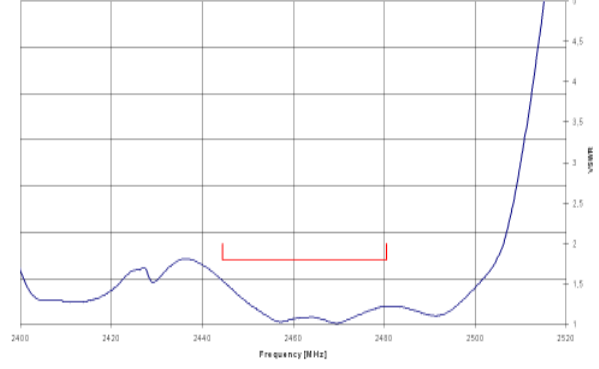


Specification

VSWR in:



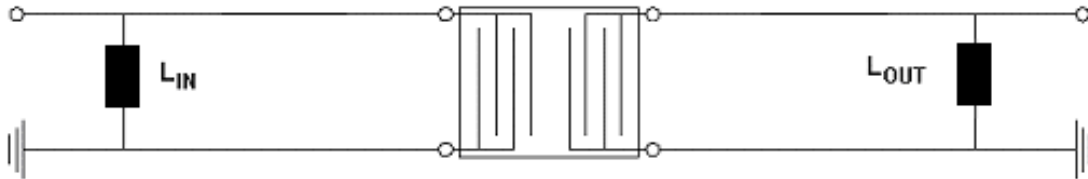
VSWR out:



Matching network to 50 Ω: ¹⁾

$L_{IN} : 10\text{nH}$

$L_{OUT} : 10\text{nH}$



¹⁾ Matching elements are based on circuit with ideal components.
 Matching values may vary due to PCB layout and real components.