

## SF915C Low Loss RF Filter for US ISM applications

This product is lead-free in compliance with RoHs 2002/95/EC.

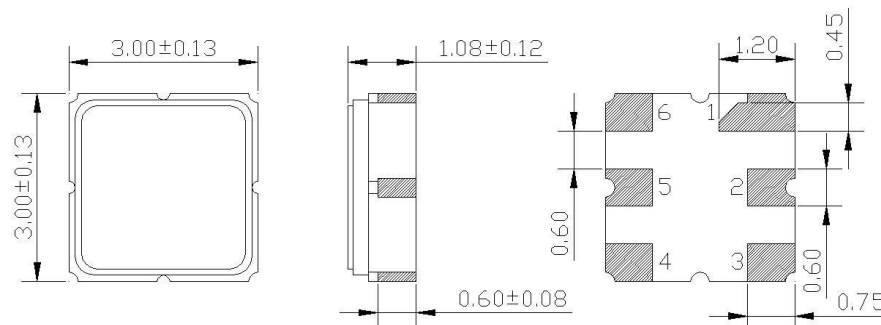
### Test Conditions:

RF power	0 dBm	
Temperature	23 °C	
DC Voltage	0 V	
Terminating source impedance ( $Z_S$ ):	50 $\Omega$	No matching
Terminating load impedance ( $Z_L$ ):	50 $\Omega$	No matching

	minimum	typical	maximum	unit
Centre frequency		915		MHz
Insertion Loss in Pass Band 914 MHz – 916 MHz		2	3	dB
Ripple in Pass Band 914 MHz – 916 MHz		0.6	1.0	dB
VSWR in Pass Band 914 MHz – 916 MHz		1.3	1.8	
Rejection				
100 MHz – 300 MHz	45	48		dB
300 MHz – 904 MHz	38	42		dB
925 MHz – 930 MHz	15	30		dB
930 MHz – 1500 MHz	45	52		dB
1500 MHz – 2500 MHz	35	40		dB
RF Power			25	dBm
Operating temperature range	-40		+85	°C
Storage temperature range	-40		+85	°C
Temperature coefficient of frequency		-31		ppm/K

Electrostatic Sensitive Device

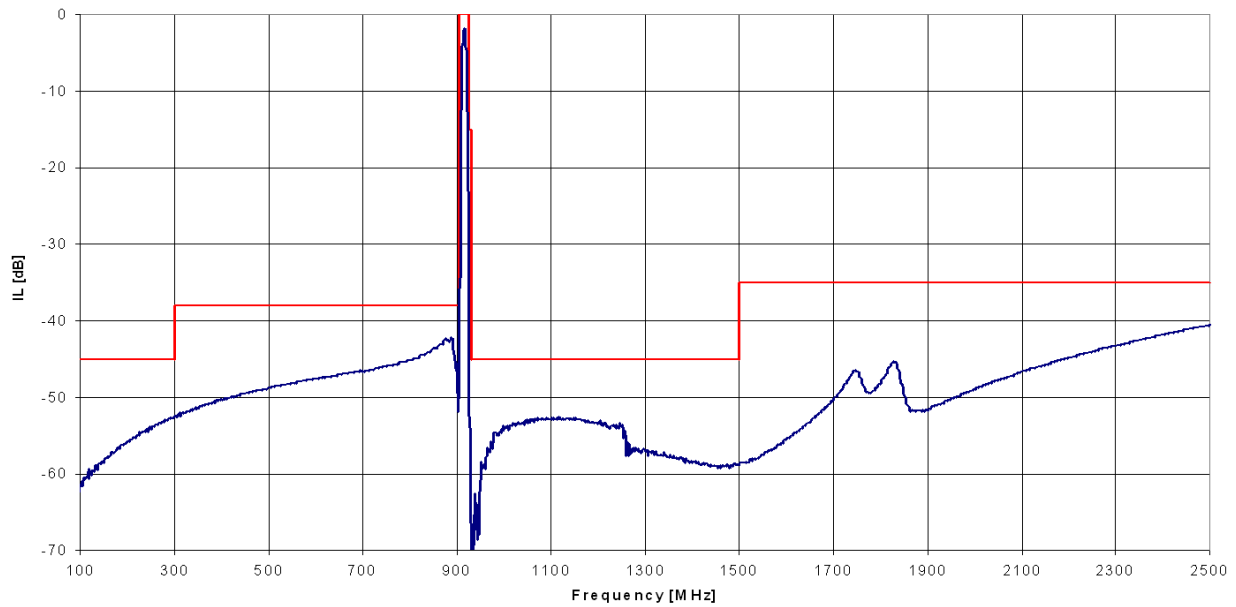
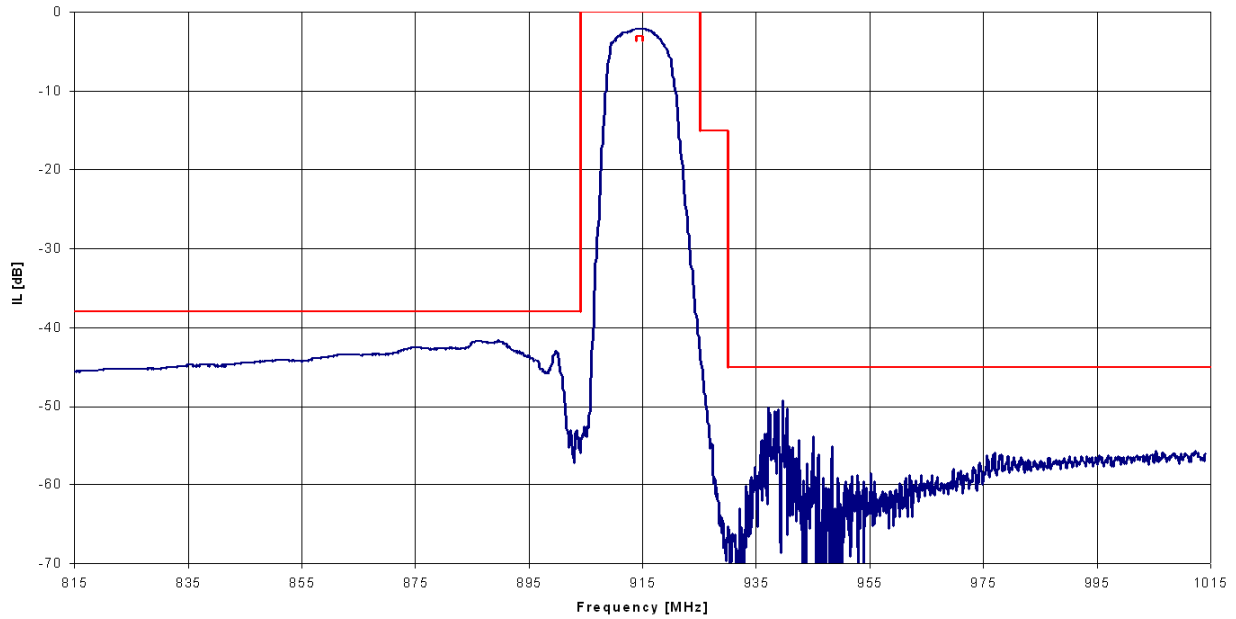
**Package: S25 / 3.0\*3.0mm<sup>2</sup>**



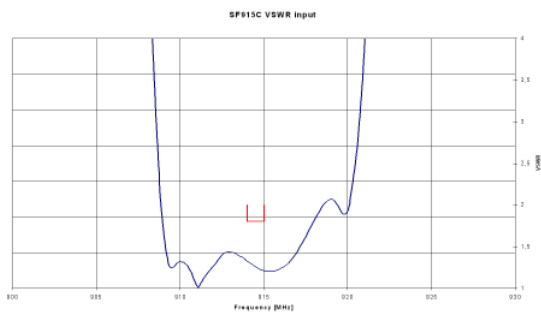
All dimensions in mm

Pin 1	Case ground	Pin 4	Case ground
Pin 2	Input	Pin 5	Output
Pin 3	To be grounded	Pin 6	To be grounded

**Typical performance:**



**VSWR in**



**VSWR out**

