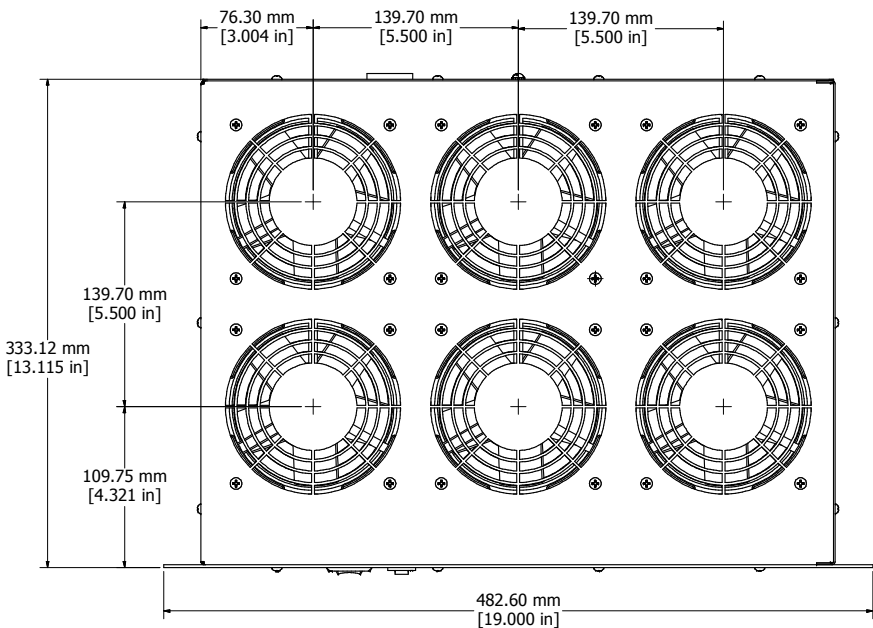
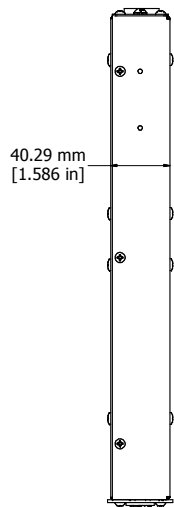


10A, 230V IEC 320 - C14
INLET RECEPTACLE

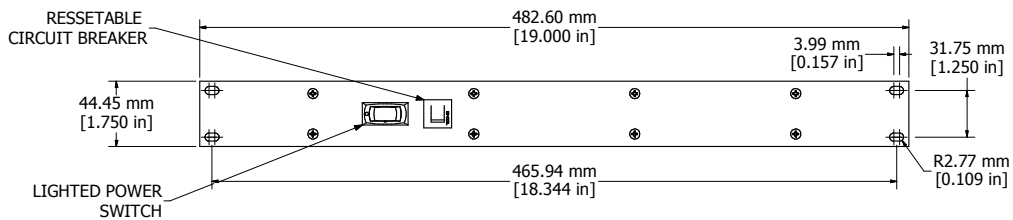
ASSEMBLY - VIEW FROM BACK



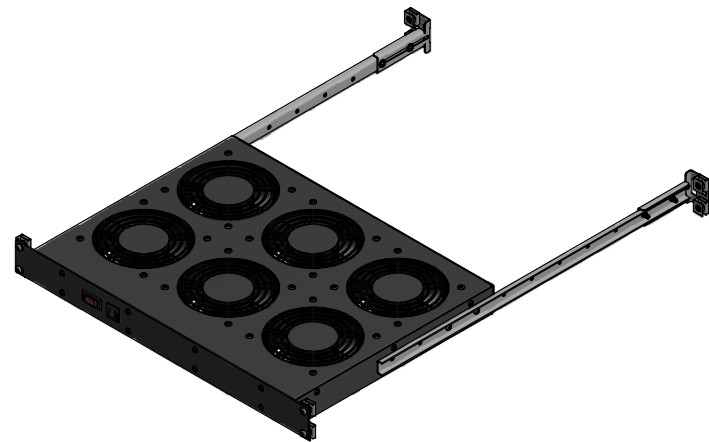
ASSEMBLY - VIEW FROM TOP



ASSEMBLY - VIEW FROM SIDE



ASSEMBLY - VIEW FROM FRONT



ASSEMBLY W/ EXTENSION BRACKETS

| |
|--------------------------------------|
| FT600HA1220BK |
| Finish - Black Textured Powder Paint |
| Rated - 230 VAC, 50/60 Hz, 3 Amps |
| Free Flow Air Delivery - 600 CFM |
| ACCESSORIES INCLUDED |
| Mounting Instructions |
| Rear Mount Brackets & Hardware |
| Extension Brackets & Hardware |



**HAMMOND
MANUFACTURING™**
FT600HA1220BK
www.hammondmfg.com