

## Graphical universal display UA964801

- Universal panel meter in 96 x 48 mm format
- Graphical LCD display programmable in 7 colours
- Vertical or horizontal mounting
- Universal input for process signals, thermocouples, RTD and potentiometer
- 2 alarm outputs and two analogue outputs
- Serial communication via RS485 Modbus protocol
- 2 programmable user inputs
- Multilingual programming interface



UA964801

The UA964801 is an indicator/panel meter for acquisition and retransmission of processes, also with fast transient. It is provided with relay outputs for alarm purpose, analogue outputs for retransmission of process/setpoints and programmable digital inputs. Available in standard format 96x48mm, the device can be configured both for horizontal and vertical mounting. Distinctive feature is the intuitive multilingual interface in 5 languages, supported by a graphic LCD display 128x64pixel with backlighting programmable for 7 colors.

**Display:** Graphical 2,7" LCD display, 64 x 128 pixels. Backlight in 7 different colours (red, green, blue, orange, white, violet, azur) in positive or negative display. Display range of process value: -32.767 to +32.767 Display range of totalizer value: 0 to 4.000.000.000 (32 Bit) Programmable horizontal or vertical display incl. bargraph and trend.

**Indicators:** Three indicators for alarm status and serial communication. Programmable engineering unit (°C, °F, °K, V, mA, mBar, Bar, psi, mm, m, rpm, %rh, ph, g, Kg, q, t, m/s, l/h)

**Keypad:** 4 push buttons for programming and setting up the thresholds.

**Input range:** Setting up of the input signal via software or keypad. Thermocouples type K, S, R, J, T, E, N; cold junction: internal (from 0 °C to 50 °; accuracy cold junction 0,1 °C/°C) RTD: Pt100, Pt500, Pt1000, Ni100, PTC1K, NTC10K Linear inputs: 0 V to 10 V, 0/4 mA to 20 mA, 0 mV to 60 mV and thermocouples type B with linearisation in 16 steps. Potentiometer: 1 kOhm to 6/160 kOhm.

**Accuracy:** Tolerance at 25 °C +/-0.2 % ± 1 digit for thermocouple input, RTD and analogue input signal.

**Measurement speed:** Programmable up to 242 Hz.

**User input:** Activation via PNP signal. Alternative selectable functions: Activation alarm output, tare, reset alarm/peak values/totalizer, sum function.

**Excitation:** +24 VDC @ 35 mA

**Resolution:** Internal resolution with 65.535 steps (16 bit),

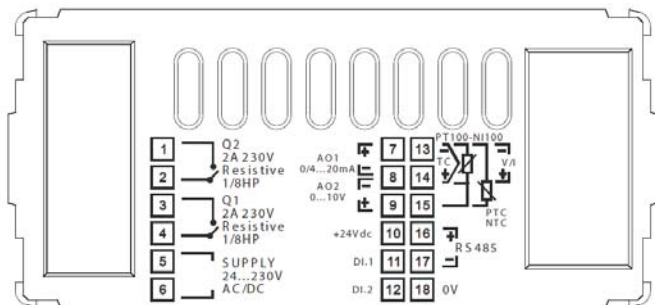
**Relay outputs:** 2 relay N.O. With separated ground, 2 A at 250 VAC, resistive. Programmable as N.O. or N.C..

**Analogue output:** 2 programmable analogue outputs (1x 0 VDC to 10 VDC and 1x 0/4 mA to 20 mA) with a resolution of 16 bits and an accuracy of +/-0,2 % f.s.. Programmable for retransmission of the alarm value or process signal. No isolation among each other.

**Communication:** RS485 with Modbus RTU as slave.

**Supply:** 24 VAC/DC to 230 VAC/DC +/- 15 %, 50/60Hz, 6 VA

**Wiring:**



**Protection class:** IP54 from the front (with rubber sealing), back plane IP20.

**Housing:** Black and robust plastic case, (PC) L94-V2, back plane ABS + PC UI94 V-0.

**Dimensions:** B 96 mm x H 48 mm x T 53 mm (without terminal blocks). DIN panel cut out: 91 mm x 45 mm.

**Connection:** Via lockable and/or removable terminal blocks.

**Ambient conditions:** Operating temperature: 0 °C to +45 °C; relative humidity 35 % to 95 % rF, non condensing.

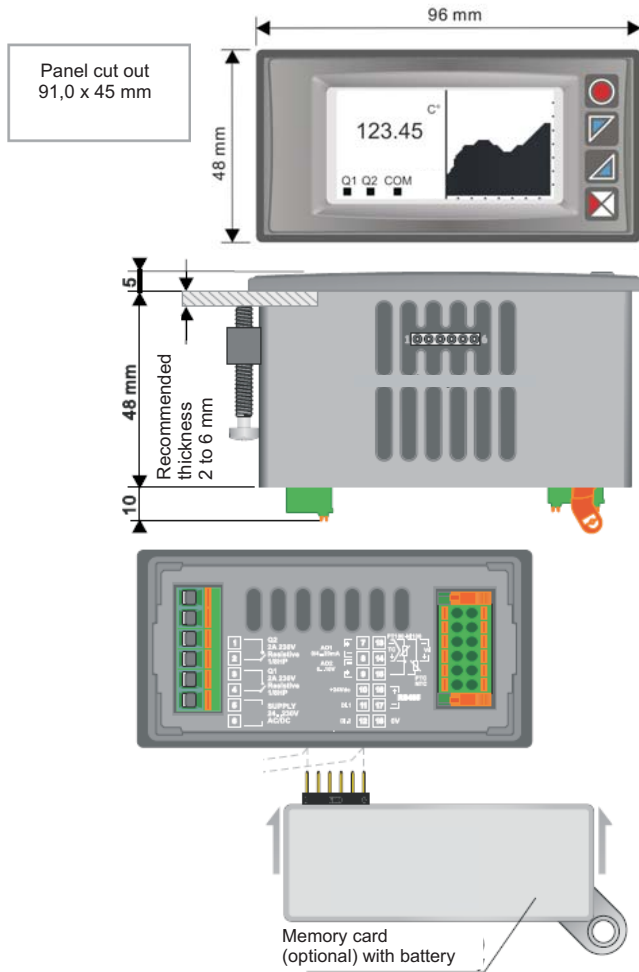
**Weight:** 250 gramms

**Scope of delivery:** UA964801, mounting brackets, sealing, manual.



Display examples

## Graphical universal display UA964801



Dimensions (in mm)

**Programming:** The panel meter will be programmed via push buttons or Windows™-software. The programming menu is selectable in 5 different languages. The memory card is battery powered. With this technology you can programm the controller without powering it up (up to 1000 programm cycles with one battery).



Programming menu with selectable languages

### Order codes

Type	Order no..
Graphical universal display	UA964801
<b>Accessories</b> Programming module with USB cable Software download under: <a href="http://www.wachendorff.de/wp/dpc_dow_epg_sof.html">Http://www.wachendorff.de/wp/dpc_dow_epg_sof.html</a>	SFUR0KIT