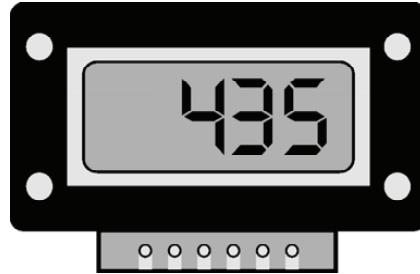


OEM035KCS 3.5 digit LCD K Type Thermometer Module

features

- Accepts K type thermocouple
- Factory calibrated in degrees Celsius
- 12.7mm digit height
- Cold junction compensation
- Operates on single 5V supply
- Screw terminal block for easy connection
- Panel mounted with optional mounting bezel

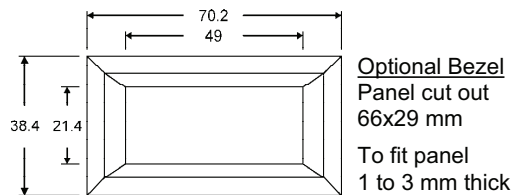
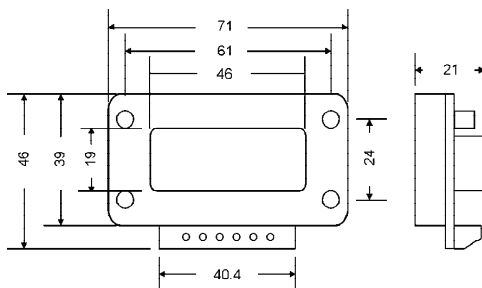


DESCRIPTION

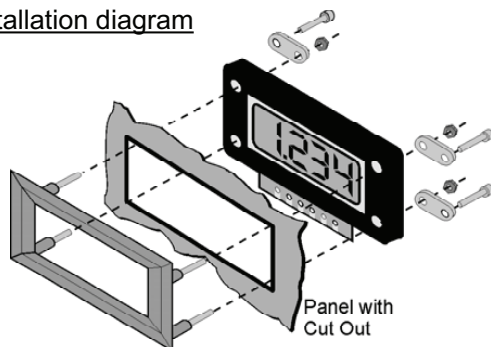
The OEM035KCS is a complete digital thermocouple meter module for measuring temperature from -50 to 1000°C from a K type thermocouple. It is factory calibrated and no attempt should be made to adjust it without a calibrated thermocouple simulator and the appropriate expertise. The internal cold junction compensation allows the cold junction to vary from 0-50°C without affecting the accuracy of the reading.

DIMENSIONS

mm



Installation diagram

ELECTRICAL CHARACTERISTICS $T_A=25^{\circ}\text{C}$

CHARACTERISTIC	MIN	TYP	MAX	UNIT
Power supply voltage	4.8	5.0	5.3	V
Power supply current	40	50	60	mA
Input impedance	0.2	0.3	0.4	MΩ
Sampling Rate		2.5		reading/sec
Accuracy *				
-50 to -21°C		$\pm 3.0 \pm 2$		$\pm \% \pm ^{\circ}\text{C}$
-20 to 350°C		$\pm 0.5 \pm 2$		$\pm \% \pm ^{\circ}\text{C}$
351 to 500°C		$\pm 1.5 \pm 2$		$\pm \% \pm ^{\circ}\text{C}$
501 to 1000°C		$\pm 2.5 \pm 2$		$\pm \% \pm ^{\circ}\text{C}$

* OEM035KCS only. Does not include thermocouple error

OPERATING SPECIFICATION

Operating temperature	0 to 50°C
Storage temperature	-10 to 60°C
Relative humidity	Below 80%

PIN FUNCTIONS

PIN	SYMBOL	DESCRIPTION
1	V+	+5V Power supply
2	GND	Ground (0 Volts)
3	TC(+)	Thermocouple positive input
4	TC(-)	Thermocouple negative input

ORDERING INFORMATION

OEM035KCS	3.5 Digit K Type Thermometer module
MB501S	Optional Black ABS Mounting Bezel

anders electronics plc Bayham Place, London NW1 OEU UK

Tel: +44 (0)20 7380 8167 Fax: +44 (0)20 7874 1908 www.anders.co.uk

Revision - 3 23/03/06