

Signaling solutions

Monolithic indicator banks

Harmony type XVC



Presentation

The monolithic indicator banks in the Harmony XVC range are designed for long distance indication of the operating states or sequences of a machine or installation, either visually by means of illuminated signaling units visible through 360°, or audibly by means of a buzzer adjustable up to 85 db.

■ The range includes small diameter products (40 and 60 mm) and larger diameter products (100 mm). It is therefore suitable for use in virtually all activity sectors :

- XVC 4B (40 mm) indicator banks are used mainly in the food-processing and medical sectors,
- XVC 6B (60 mm) indicator banks are used in semi-conductor factories, on conveyor belts and on small food or drink dispensing machines in the commercial sector,
- XVC 1B (100 mm) indicator banks are more particularly designed for industrial applications and machine-tools.

■ The entire range provides an IP 54 degree of protection to allow outdoor as well as indoor use.

■ XVC indicator banks are supplied:

- with 1, 2, 3, 4, or 5 illuminated signaling units,
- with or without a buzzer,
- pre-assembled and pre-wired,
- fitted with a support tube and bracket for mounting on a vertical support or 3 screws for direct mounting on a horizontal surface (depending on the model).

Illuminated signaling

5 lens unit colours are available from the catalogue: red, orange, green, blue or clear. The colours are always placed in that order, from top to bottom.

The light source consists of "super bright LEDs" which provide optimum luminosity.

Audible signaling

The indicator bank is supplied with or without an audible signaling unit (buzzer) depending on the required configuration. The buzzer is located in the base of the indicator bank.

The type of signal (continuous or intermittent) can be reversed by modifying the cable connections (only for 60 and 100 mm products).

A potentiometer is also present in the base for adjusting the audible signaling volume, up to a value of 85 decibels.

Cabling

XVC indicator banks supplied pre-assembled are equipped with wires marked with a label indicating the correct way to connect. Each level is marked by a different coloured wire.

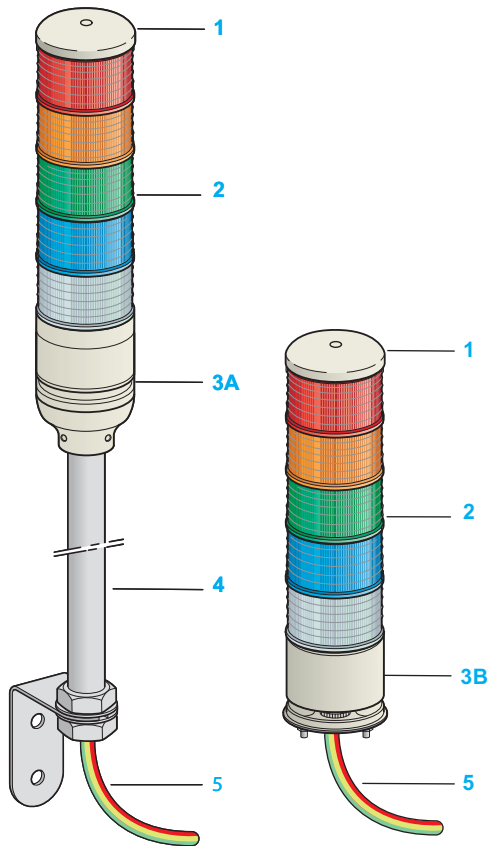
XVC indicator banks that have been pre-assembled and pre-wired at the factory cannot be modified because the wires are permanently connected (soldered).



Signaling solutions

Monolithic indicator banks

Harmony type XVC



Description

XVC indicator banks comprise an assembly of:

- 1 A cover.
- 2 One, two, three, four or five coloured illuminated signaling units (red, orange, green blue or clear). Each illuminated unit is equipped with an LED ("super-bright LED").
- 3 A base mounted on the support tube 3A or a base fitted with 3 screws 3B for direct mounting on a horizontal surface (both of these base types can incorporate a buzzer).
- 4 An aluminium support tube mounted on a bracket, for mounting on a vertical support (depending on the model).
- 5 Marked wires, with projecting length of 500 to 900 mm (depending on the model).

Environment characteristics			
Product certifications			UR (1), CE
Conformity to standards	For XVC 4B		EN 61000-6-2, EN 61000-6-3
	For XVC 6B		EN 61000-6-2, EN 61000-6-3, EN 61000-6-4
Protective treatment			"TC"
Ambient air temperature	Storage	°C	- 35...+ 70
	Operation	°C	- 10...+ 50
Electric shock protection conforming to IEC 61140	Mounted on support tube		Class I
	Mounted on base		Class II
Degree of protection conforming to IEC 60529	Mounted on support tube		IP 54 (Flat surface installation)
			IP 23 (Vertical surface installation)
	Mounted on base		IP 54 (Flat surface installation)
Material	Top cover		PBT + ABS (UL94HB)
	Illuminated lens unit		Polycarbonate
	Body part		ABS
	Support tube		STK (chromium-plated)
	L mounting bracket		SPC (unichromium-plated)
Light source			LED
Electrical characteristics			
Voltage limits		V	≈ 24 V ± 10 %
Rated impulse withstand voltage		kV	0.8
Consumption (at maximum voltage)	Steady light 24V	1 unit	mA 40
		2 units	mA 80
		3 units	mA 120
		4 units	mA 160
		5 units	mA 200
	Steady/ flashing light 24 V with buzzer	1 unit	mA 90
		2 units	mA 130
		3 units	mA 170
		4 units	mA 210
		5 units	mA 250
Audible units	Sound level (continuous or intermittant tone) at 1 m	dB	70...85
	Fundamental frequency	kHz	2.230
Flashing frequency of illuminated units		Hz	1
Connection			Wire c.s.a.: 0.33 mm ² / AWG 22

(1) Available in June 2008.

Environment characteristics				
Product certifications				UR, CE
Conformity to standards				EN 61000-6-2, EN 61000-6-3, EN 61000-6-4
Protective treatment				"TC"
Ambient air temperature	Storage		°C	- 35...+ 70
	Operation		°C	- 30...+ 30
Electric shock protection conforming to IEC 61140	Mounted on support tube			Class I
	Mounted on base			Class II
Degree of protection conforming to IEC 60529	Mounted on support tube			IP 54
Material	Top cover			PBT + ABS (UL94HB)
	Lens unit			Polycarbonate
	Body part			ABS
Light source				LED
Electrical characteristics				
Voltage limits			V	~ 24 V ± 10 %
Rated impulse withstand voltage			kV	0.8
Consumption (at maximum voltage)	Steady light 24 V	1 unit	mA	100
		2 units	mA	200
		3 units	mA	300
		4 units	mA	400
		5 units	mA	500
	Steady/ flashing light 24 V with buzzer	1 unit	mA	150
		2 units	mA	250
		3 units	mA	350
		4 units	mA	450
		5 units	mA	550
Audible units	Sound level (continuous or intermittant tone) at 1 m		dB	60...85
	Fundamental frequency		kHz	-
Flashing frequency of illuminated units			Hz	0.3...3.5
Connection				Wire c.s.a.: 0.33 mm ² / AWG 22

Signaling solutions

Monolithic indicator banks

Harmony type XVC

Indicator banks Ø 40 and Ø 60 mm



Complete, pre-wired indicator banks Ø 40 mm

Description	Light source (included)	Voltage V	Signaling colours (1)		Reference	Weight kg
			Steady	Flashing (2)		
For support tube mounting, 17 mm						
Without buzzer	LED for steady light only	≈ 24	R	–	XVC 4B1	0.500
			R, O	–	XVC 4B2	0.520
			R, O, G	–	XVC 4B3	0.540
			R, O, G, B	–	XVC 4B4	0.560
			R, O, G, B, C	–	XVC 4B5	0.580
With buzzer + flashing light	LED for steady or flashing light	≈ 24	R	R	XVC 4B15S	0.600
			R, O	R, O	XVC 4B25S	0.620
			R, O, G	R, O, G	XVC 4B35S	0.640
			R, O, G, B	R, O, G, B	XVC 4B45S	0.660
			R, O, G, B, C	R, O, G, B, C	XVC 4B55S	0.680
For base mounting						
Without buzzer	LED for steady light only	≈ 24	R	–	XVC 4B1K	0.100
			R, O	–	XVC 4B2K	0.120
			R, O, G	–	XVC 4B3K	0.140
			R, O, G, B	–	XVC 4B4K	0.160
			R, O, G, B, C	–	XVC 4B5K	0.180

Accessories for support tube mounting

Description	Diameter mm	Minimum height to be added mm	Reference	Weight kg
Metal fixing plate	90	32	XVC Z11	0.060
Plastic fixing plate	84	24.5	XVC Z01	0.100



Complete, pre-wired indicator banks Ø 60 mm

Description	Light source (included)	Voltage V	Signaling colours (1)		Reference	Weight kg
			Steady	Flashing (2)		
For support tube mounting, 22 mm						
Without buzzer	LED for steady light only	≈ 24	R	–	XVC 6B1	0.700
			R, O	–	XVC 6B2	0.740
			R, O, G	–	XVC 6B3	0.780
			R, O, G, B	–	XVC 6B4	0.820
			R, O, G, B, C	–	XVC 6B5	0.860
With buzzer + flashing light	LED for steady or flashing light	≈ 24	R	R	XVC 6B15S	0.900
			R, O	R, O	XVC 6B25S	0.940
			R, O, G	R, O, G	XVC 6B35S	0.980
			R, O, G, B	R, O, G, B	XVC 6B45S	1.020
			R, O, G, B, C	R, O, G, B, C	XVC 6B55S	1.060
For base mounting						
Without buzzer	LED for steady light only	≈ 24	R	–	XVC 6B1K	0.200
			R, O	–	XVC 6B2K	0.250
			R, O, G	–	XVC 6B3K	0.300
			R, O, G, B	–	XVC 6B4K	0.350
			R, O, G, B, C	–	XVC 6B5K	0.400
With buzzer + flashing light	LED for steady or flashing light	≈ 24	R	R	XVC 6B15SK	0.200
			R, O	R, O	XVC 6B25SK	0.250
			R, O, G	R, O, G	XVC 6B35SK	0.300
			R, O, G, B	R, O, G, B	XVC 6B45SK	0.350
			R, O, G, B, C	R, O, G, B, C	XVC 6B55SK	0.400

Accessories for support tube mounting

Description	Diameter mm	Minimum height to be added mm	Reference	Weight kg
Metal fixing plate for XVC 6B● and XVC 6B●5S	100	30	XVC Z02	0.080
Metal fixing plate for XVC 6B● K and XVC 6B●5SK	84	21.6	XVC Z12	0.100

(1) Signaling colours: R: Red, G: Green, O: Orange, B: Blue, C: Clear. The colours are listed in the same order as the mounting order of the illuminated units (from top to bottom).

(2) Flashing function can be simply selected/programmed by wiring.



Signaling solutions

Monolithic indicator banks

Harmony type XVC

Indicator banks Ø 100 mm



XVC 1B5K/XVC 1B5SK



XVC Z13

Complete, pre-wired indicator banks Ø 100 mm

Description	Light source (included)	Voltage V	Signaling colours (1)		Reference	Weight kg
			Steady	Flashing (2)		
For base mounting						
Without buzzer With flashing light	LED for steady or flashing light	~ 24	R	R	XVC 1B1K	0.700
			R, O	R, O	XVC 1B2K	0.900
			R, O, G	R, O, G	XVC 1B3K	1.100
			R, O, G, B	R, O, G, B	XVC 1B4K	1.300
			R, O, G, B, C	R, O, G, B, C	XVC 1B5K	1.500
With buzzer + flashing light	LED for steady or flashing light	~ 24	R	R	XVC 1B1SK	0.700
			R, O	R, O	XVC 1B2SK	0.900
			R, O, G	R, O, G	XVC 1B3SK	1.100
			R, O, G, B	R, O, G, B	XVC 1B4SK	1.300
			R, O, G, B, C	R, O, G, B, C	XVC 1B5SK	1.500

Accessories for mounting on vertical support

Description	Diameter mm	Height mm	Reference	Weight kg
Aluminium expansion tube with metal fixing plate	140	300	XVC Z13	0.700
Metal fixing bracket	–	–	XVC Z23	0.380

(1) Signaling colours: R: Red, G: Green, O: Orange, B: Blue, C: Clear. The colours are listed in the same order as the mounting order of the illuminated units (from top to bottom).

(2) Flashing function can be simply selected/programmed by DIP switches in each luminous unit. It is also possible to regulate the flashing frequency.

Pre-assembled and pre-wired indicator banks

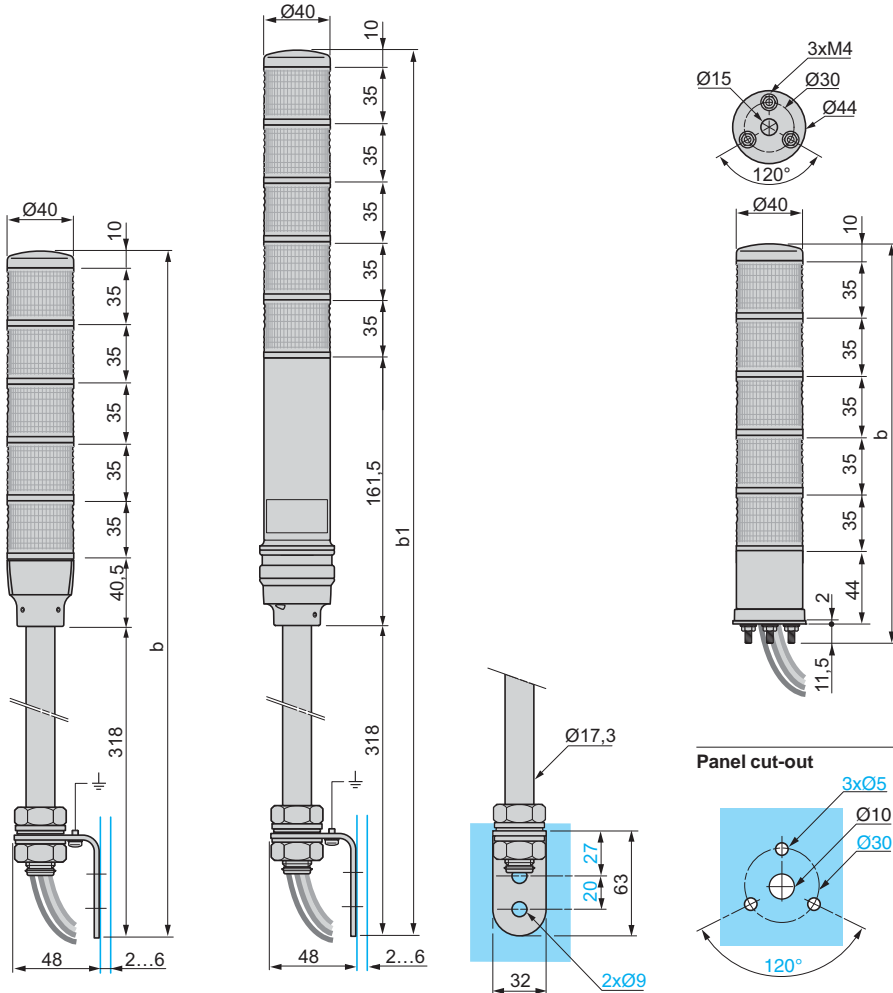
With support tube mounting

XVC 4B●

XVC 4B●5S

For direct mounting on horizontal support

XVC 4B●K



Height of pre-assembled and pre-wired indicator banks

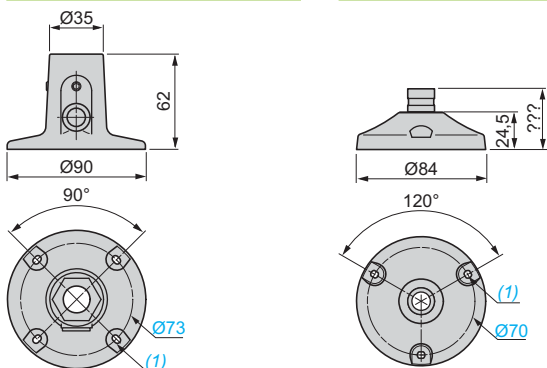
No. of illuminated units	b Without buzzer (mm)	b1 With buzzer (mm)
1 stage	403.5	524.5
2 stages	428.5	559.5
3 stages	473.5	594.5
4 stages	508.5	629.5
5 stages	543.5	664.5

No. of illuminated units	b (mm) Without buzzer
1 stage	100.5
2 stages	135.5
3 stages	170.5
4 stages	200.5
5 stages	240.5

Accessories for indicator banks type XVC 4B● and XVC 4B●5S

Metal fixing plate, XVC Z11

Plastic fixing plate, XVC Z01



(1) 4 elongated holes Ø 4.2 x 5.

(1) 3 elongated holes Ø 4.2 x 5.

Presentation, description :
page 6

Characteristics:
page 8

References:
page 10

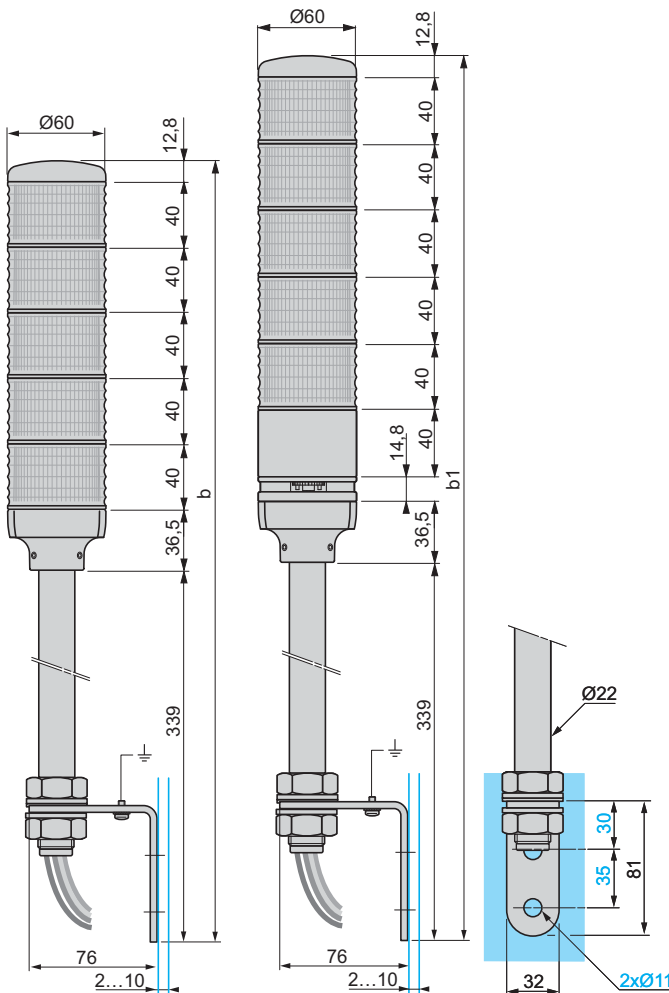
Schemes:
page 15

Pre-assembled and pre-wired indicator banks

With support tube mounting

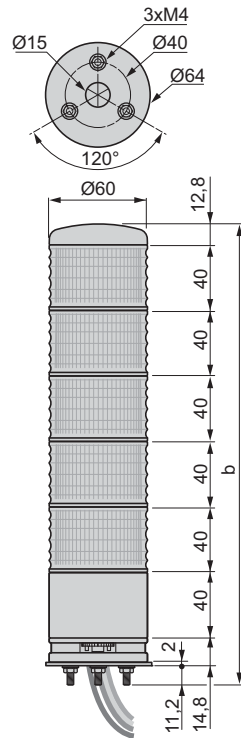
XVC 6B●

XVC 6B●5S

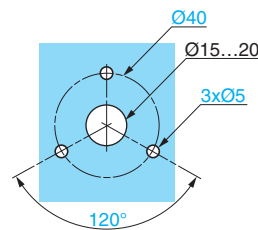


For mounting on horizontal support (direct or with fixing plate)

XVC 6B●K, XVC 6B●5SK



Panel cut-out



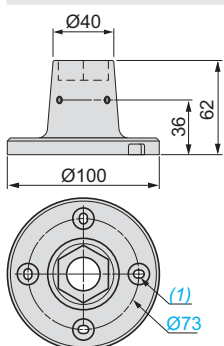
Height of pre-assembled and pre-wired indicator banks

No. of illuminated units	b Without buzzer (mm)	b1 With buzzer (mm)
1	428.3	480.1
2	468.3	523.1
3	508.3	563.1
4	548.3	603.1
5	588.3	643.1

No. of illuminated units	b (mm) With or without buzzer
1	120.8
2	135.8
3	170.8
4	200.8
5	240.8

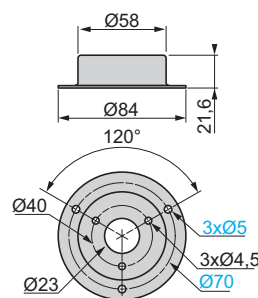
Accessories for mounting on vertical support

Metal fixing plate XVC Z02 for indicator banks XVC 6B● and XVC 6B●5S



(1) 4 elongated holes Ø 5.2 x 7.

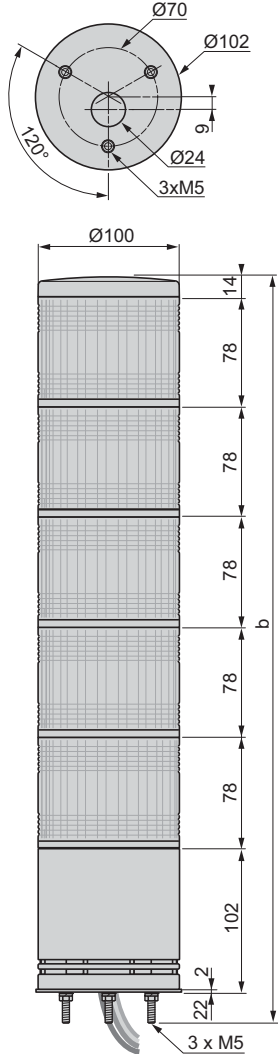
Metal fixing plate XVC Z12 for indicator banks XVC 6B●K and XVC 6B●5SK



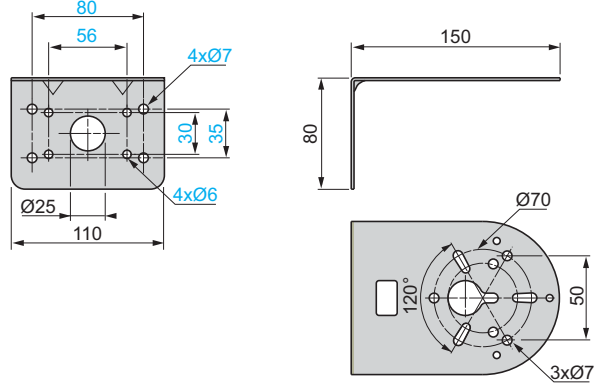
Pre-assembled and pre-wired indicator banks

For mounting on horizontal support (direct or with fixing plate)

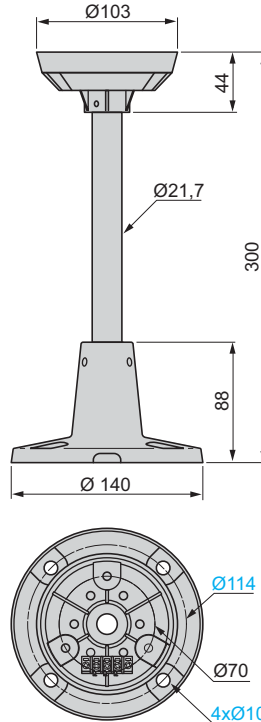
XVC 1B●K, XVC 1B●SK indicator banks



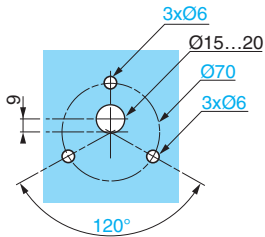
XVC Z23 fixing plate



XVC Z13 fixing plate



Panel cut-out



Height of pre-assembled and pre-wired indicator banks

No. of illuminated units	b (mm)
1	403.5
2	428.5
3	473.5
4	508.5
5	543.5

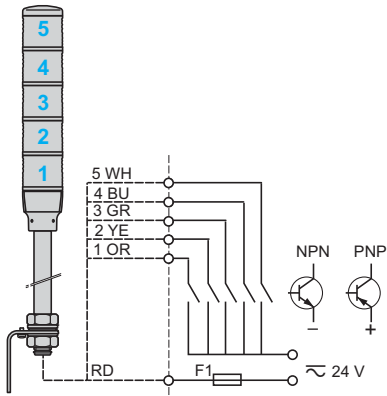
Signaling solutions

Monolithic indicator banks

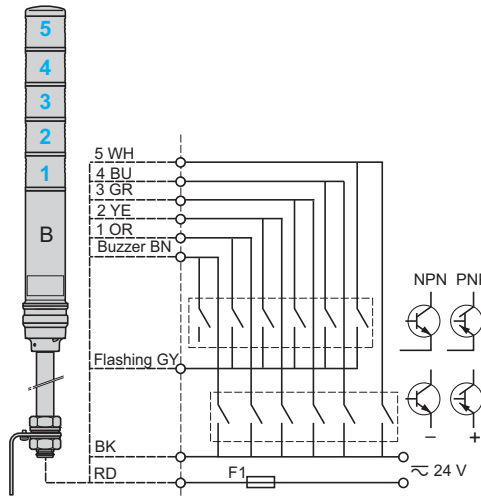
Harmony type XVC

Monolithic indicator banks Ø 40 mm

XVC 4B•, XVC 4B•K



XVC 4B•5S

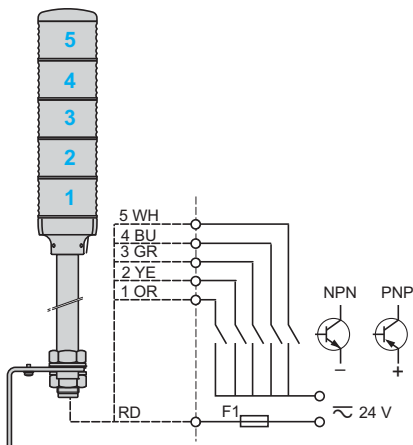


Indicator bank with or without buzzer

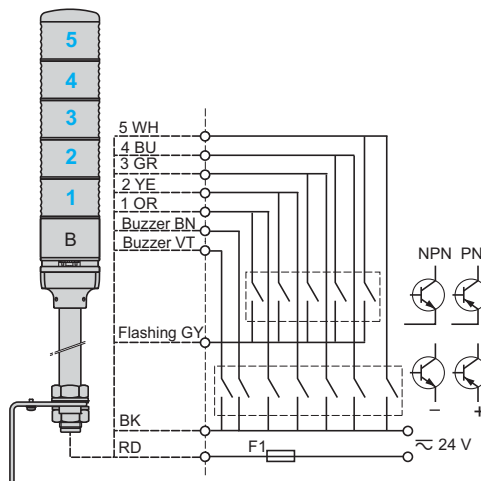
- 5: 5th illuminated unit (red LED, orange wire)
- 4: 4th illuminated unit (orange LED, yellow wire)
- 3: 3rd illuminated unit (green LED, green wire)
- 2: 2nd illuminated unit (blue LED, blue wire)
- 1: 1st illuminated unit (clear LED, white wire)
- B: Buzzer sound (brown wire)
- Flashing COM (grey wire)

Monolithic indicator banks Ø 60 mm

XVC 6B•, XVC 6B•K



XVC 6B•5S, XVC 6B•5SK

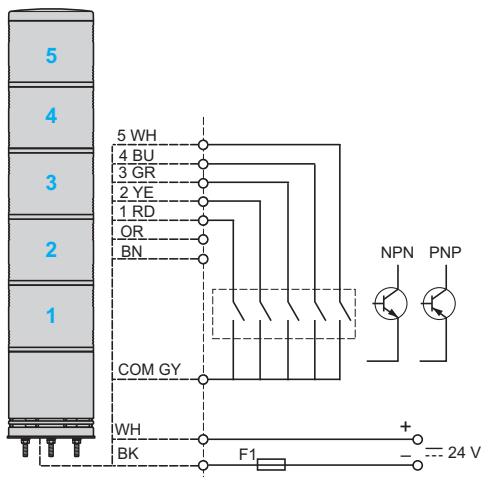


Indicator bank with or without buzzer

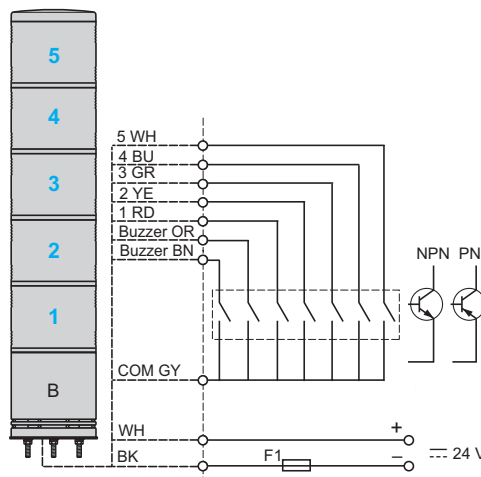
- 5: 5th illuminated unit (red LED, orange wire)
- 4: 4th illuminated unit (orange LED, yellow wire)
- 3: 3rd illuminated unit (green LED, green wire)
- 2: 2nd illuminated unit (blue LED, blue wire)
- 1: 1st illuminated unit (clear LED, white wire)
- B: Buzzer sound
 - Intermittent sound (brown wire)
 - Continuous sound (violet wire)
- Flashing COM (grey wire)

Monolithic indicator banks Ø 100 mm

XVC 1B•K



XVC 1B•SK



Indicator bank with or without buzzer

- 5: 5th illuminated unit (red LED, red wire)
- 4: 4th illuminated unit (orange LED, yellow wire)
- 3: 3rd illuminated unit (green LED, green wire)
- 2: 2nd illuminated unit (blue LED, blue wire)
- 1: 1st illuminated unit (clear LED, white wire)
- B: Buzzer sound
 - Intermittent sound (brown wire)
 - Continuous sound (orange wire)
- Flashing COM (grey wire)