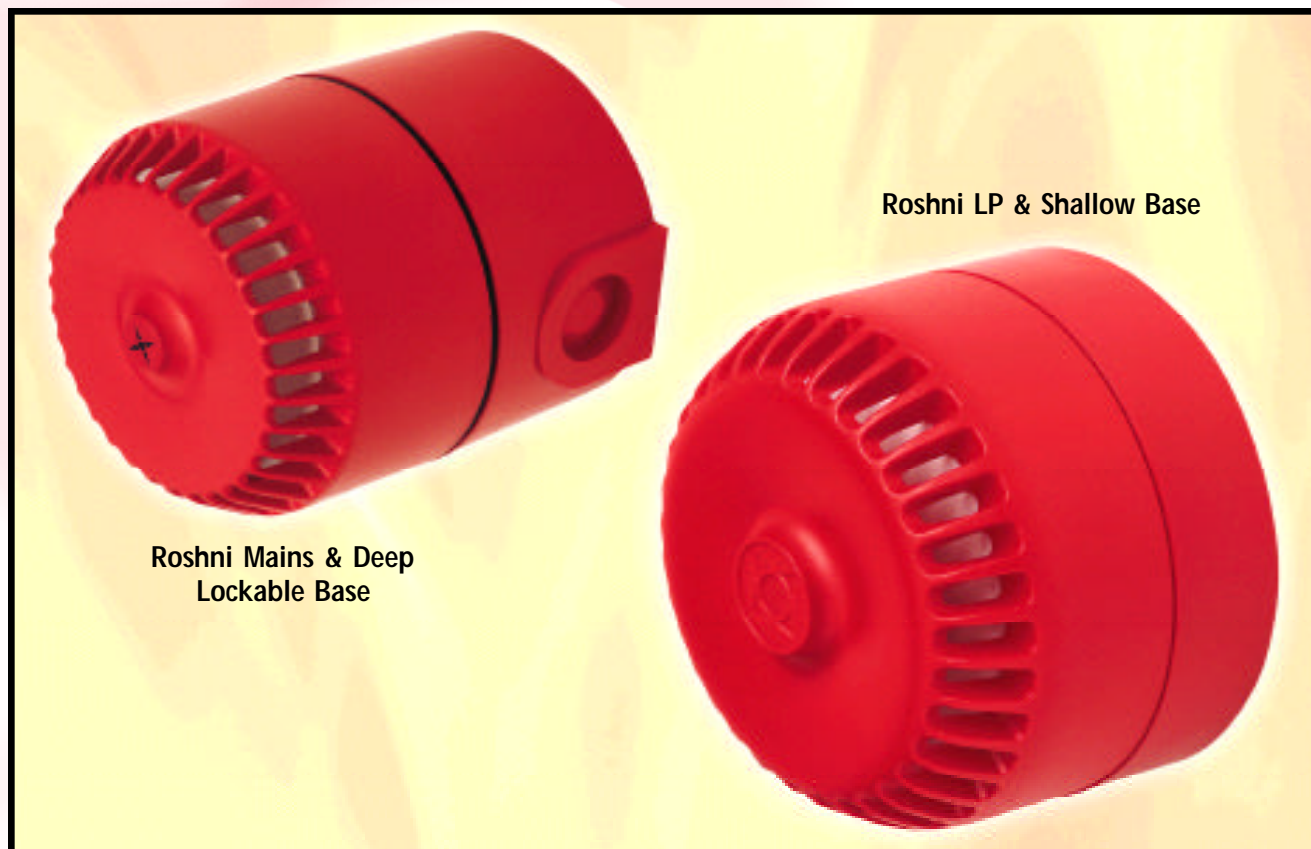


Roshni Electronic Sounders



Roshni Mains & Deep
Lockable Base

Roshni LP & Shallow Base

Roshni LP

The Roshni range of electronic sounders has become the industry standard for use within fire alarm, intruder and industrial signalling systems. Designed for reliability in operation, the Roshni LP is a high specification wall mounting sounder suitable for signalling within open areas or corridors and passages. The rugged low profile casing and encapsulated electronics provide a high level of durability and resistance to environmental conditions.

With thirty two signal tones available the Roshni LP is compatible with the majority of fire and emergency signalling tones in use throughout the world.

A choice of three base formats to suit different installation techniques and anti-tamper versions coupled with beacons and beacon sounders in compatible formats make the Roshni sounder range the most versatile and flexible available.

- ONLY 63mm DEEP
- HIGH SOUND OUTPUT, UP TO 111dB(A)
- LOW CURRENT CONSUMPTION
- 32 ALARM TONES SELECTABLE
- SECOND TONE FOR TWO STAGE ALARMS
- 12V DC AND 24V DC OPERATION WITHOUT ADJUSTMENT
- SYNCHRONISED START
- VOLUME CONTROL
- IP65 PROTECTION WITH DEEP OR "U" BASE
- AVAILABLE IN RED OR WHITE MOULDING
- VERSIONS APPROVED TO CNPP, VdS, & prEN54-3



ROSHNI LOW PROFILE
CERT NO: 378b

Roshni Range Specification

Roshni LP Sounders

As a value for money, high output, durable sounder, the Roshni LP is widely accepted as the industry standard choice amongst specifiers, installers and distributors alike.

Roshni-sounders provide an automatic synchronised start when operated on the same circuit and have excellent frequency stability which provides enhanced signal clarity on multi-sounder systems.

The Roshni LP has a range of 32 tones which are switch selectable during installation. Sounders are supplied with switch settings to customer requirements, but where no particular tone is specified the sounders are set to comply with the requirements of BS 5839 Part 1 :1988 (tone 3 in the tone table).

A second tone is available, which can be switched in by the connection of a third core to the sounders. The second tone provided is specified in the tones table on the back page.

For ease of installation all terminations are duplicated to provide loop-in and out facilities. When fitted to a deep or "U" base the units are weatherproof to IP 65.

The wide operating voltage allows the Roshni LP to be used on 12Vdc or 24Vdc systems without modification. A 9 to 30Vac sounder is also available on request.

Roshni Bases

Three designs of mounting base are available to facilitate different wiring methods. The shallow base is normally used for flush wiring whereas the deep base and 'U' bases are used for surface wiring and have the facility for 20mm dia. conduit entry. All bases have the unique bayonet action for ease of installation and are interchangeable with other products in the range, such as Flashnis and Xenon Beacons.

The deep base and 'U' bases are also available as lockable versions, where a special tool is required to remove the sounder, offering improved system security by preventing unauthorised access.

Roshni Mains Operated

A mains operated version working between 110Vac and 240Vac at 50 / 60Hz is available, and is supplied with a lockable base only.

Roshni Anti-Tamper

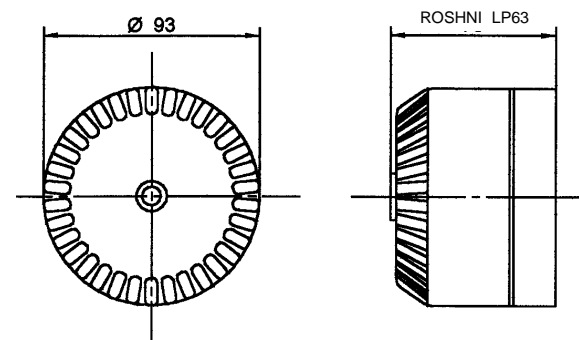
Intended primarily for use in security systems the anti-tamper version of the Roshni is suitable for situations where malicious removal of the sounder may be a problem and can be monitored remotely. The facility is provided by a microswitch incorporated into the sounder which operates on removal from a shallow base. The microswitch has separate terminals which can be linked to the monitoring loop of a control panel.

Intrinsically Safe Roshni

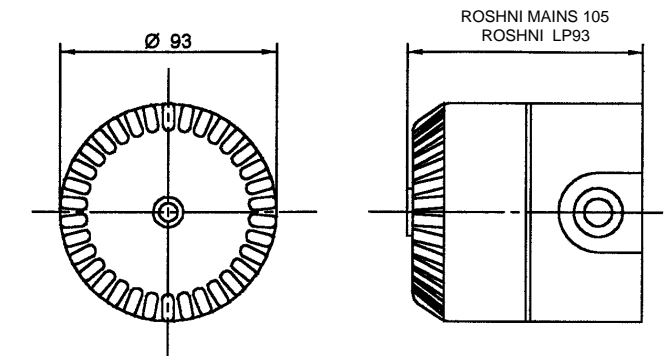
The intrinsically safe Roshni has been designed to cope with the harsh environmental conditions found offshore and onshore in the oil, gas and petrochemical industries. The unit is BASEEFA certified, suitable for Zone 0 use and is available in two models, 12Vdc only (DB5 1NR) and 12/24Vdc (DB5 2NR). For the full specification and details please see separate Hazardous Area brochure reference FS112.



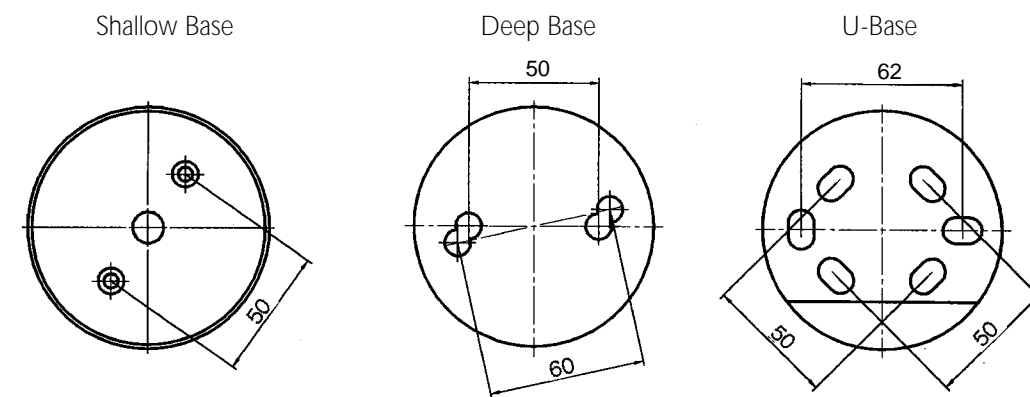
ROSHNI LP & Shallow Base



ROSHNI LP & Deep Base / U Base



Base Fixing Details



Model	Roshni LP	Roshni Mains
Operation	Continuous	Continuous
Operating Voltage Range	9 - 28Vdc	110 - 240Vac
Sound Output	See Tone Table	100dB(A) (240Vac)
Current Consumption	See Tone Table	35mA (at 240Vac)
Tones	1 to 32 on Table	1 to 28 on Table
Starting Current	30mA for 2ms	N/A
Synchronisation	Synchronised start	Synchronised start
Frequency Stability	+/- 0.15%	+/- 0.15%
Operating Temperature	-25°C to +80°C	-20°C to +55°C
Line Monitoring	Reverse polarity	N/A
Construction	ABS	ABS
Ingress Protection	Shallow base Deep base "U" base	N/A IP65 IP65
Weight	Shallow base Deep base "U" base	N/A 0.31kg 0.31kg
Dimensions	Shallow base Deep base "U" base	N/A 93mm dia x 105mm deep 93mm dia x 105mm deep