

Signal Towers KombiSIGN 71

This is how you can assemble your KombiSIGN 71 signal tower

► STEP 1

Select the required optical or audible elements in the correct voltage (for details see page 33).

Many KombiSIGN highlights are also available (for details see page 31).

Audible Signal Elements

- Buzzer element
- Siren element
- Vocal element

Optical Signal Elements

- (LED) Permanent light
- LED Permanent light ultrabright
- (LED) Flashing light
- LED EVS element
- LED Blinking light
- LED Rotating light
- LED Permanent light element multicolour

► STEP 2

Select the appropriate mounting option for your application.

► STEP 3

Select the correct terminal element for your mounting option (for details see page 43).

| Base Mounting | Tube Mounting |
|---|---|
| <p>Terminal element with CAGE CLAMP® technology Order no. 640 800 00</p> | <p>Terminal element with CAGE CLAMP® technology Order no. 640 810 00</p> |
| <p>Screw terminal Order no. 640 820 00</p> | <p>Screw terminal Order no. 640 830 00</p> |
| <p>Terminal element M12 Order no. 640 850 55</p> | <p>Terminal element M12 Order no. 640 860 55</p> |

► STEP 4

Where appropriate, select a base and the desired tube length (only for tube mounting) (For details see page 67).

| | | | | | | | | | | | | | | | |
|--|---|--|---|-------------|-------------------|-------------|-------------------|-------------|-------------------|-------------|-------------------|-------------|-------------------|--------------|-------------------|
| <p>Tube with clamp Order no. 960 000 18</p> | <p>Adaptor for single hole mounting Order no. 960 000 25</p> | <p>Base with integrated tube Order no. 975 840 10</p> | <p>Tube Ø 25 mm, all anodized</p> <table border="0"> <tr><td>100 mm long</td><td>975 845 10</td></tr> <tr><td>250 mm long</td><td>975 840 25</td></tr> <tr><td>400 mm long</td><td>975 840 40</td></tr> <tr><td>600 mm long</td><td>975 840 60</td></tr> <tr><td>800 mm long</td><td>975 840 80</td></tr> <tr><td>1000 mm long</td><td>975 840 03</td></tr> </table> <p>Base for Tube, plastic Order no. 975 840 90</p> <p>Base for Tube, metal Order no. 975 840 91</p> <p>Foldaway Base Order no. 960 000 30</p> <p>Foldaway Base Order no. 960 009 12</p> <p>Tube Ø 25 mm, plastic, only for Foldaway Base, 45 mm long Order no. 960 000 31</p> | 100 mm long | 975 845 10 | 250 mm long | 975 840 25 | 400 mm long | 975 840 40 | 600 mm long | 975 840 60 | 800 mm long | 975 840 80 | 1000 mm long | 975 840 03 |
| 100 mm long | 975 845 10 | | | | | | | | | | | | | | |
| 250 mm long | 975 840 25 | | | | | | | | | | | | | | |
| 400 mm long | 975 840 40 | | | | | | | | | | | | | | |
| 600 mm long | 975 840 60 | | | | | | | | | | | | | | |
| 800 mm long | 975 840 80 | | | | | | | | | | | | | | |
| 1000 mm long | 975 840 03 | | | | | | | | | | | | | | |

► STEP 5

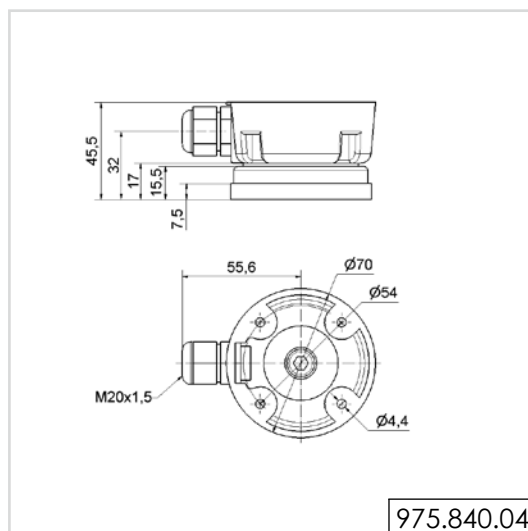
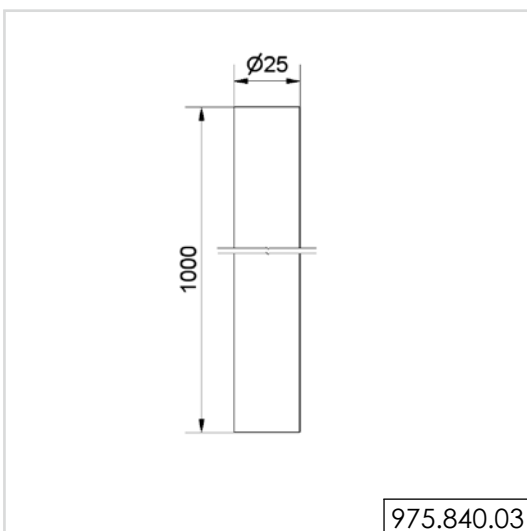
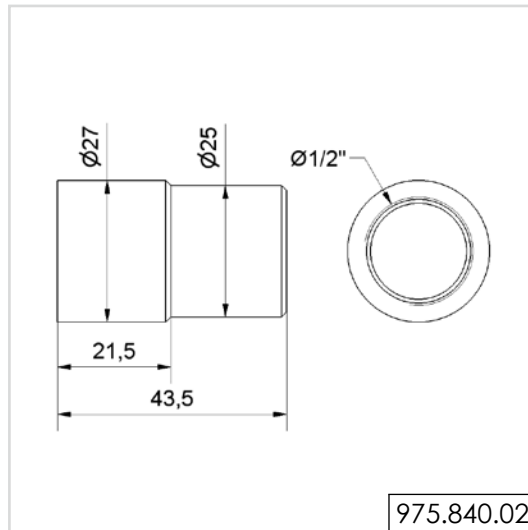
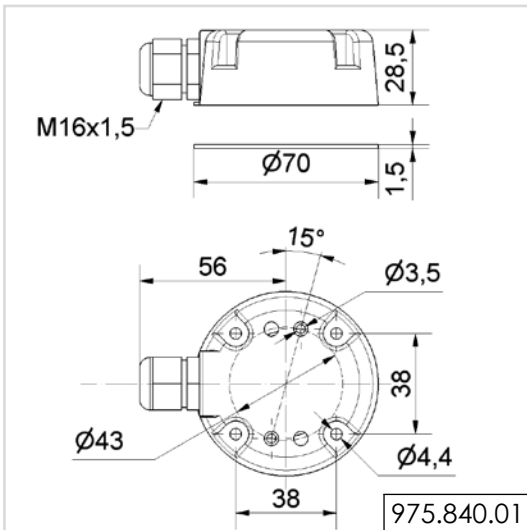
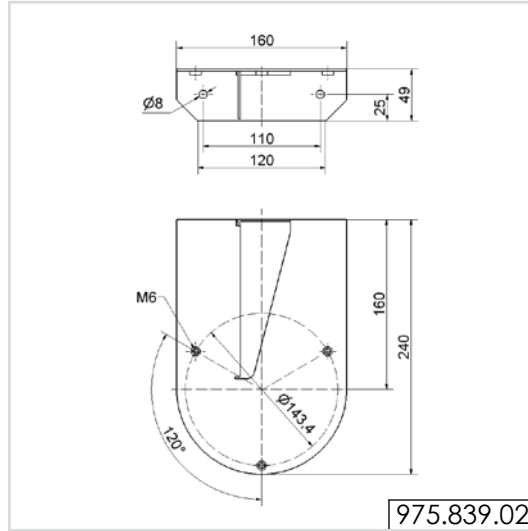
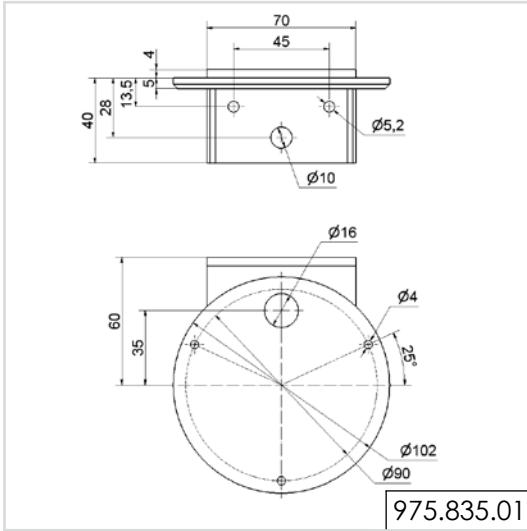
Where appropriate, select the bracket and the contact box (for details see page 67).

TIP

The Signal Devices Site on the Internet: www.werma.com

With new **signal tower configurator** you can put together your own individual signal tower.

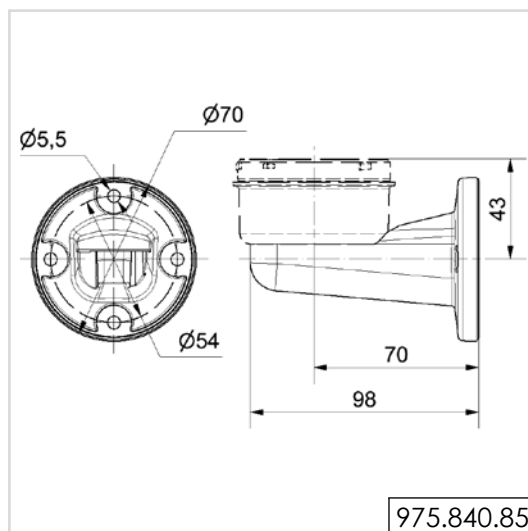
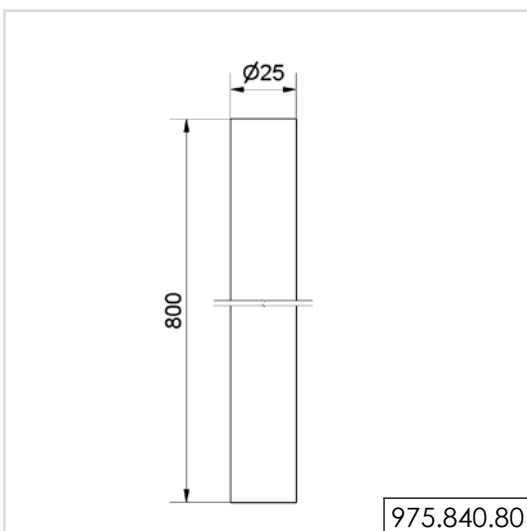
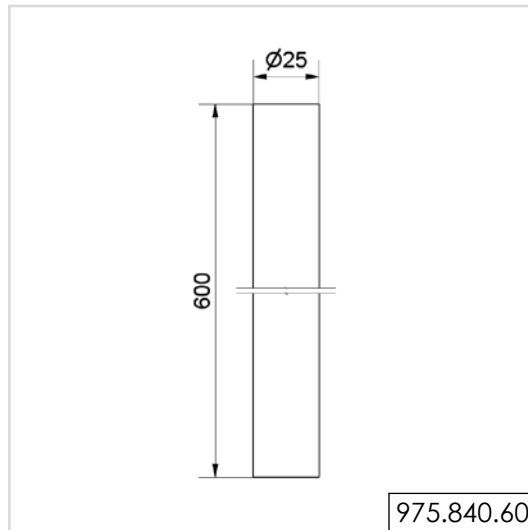
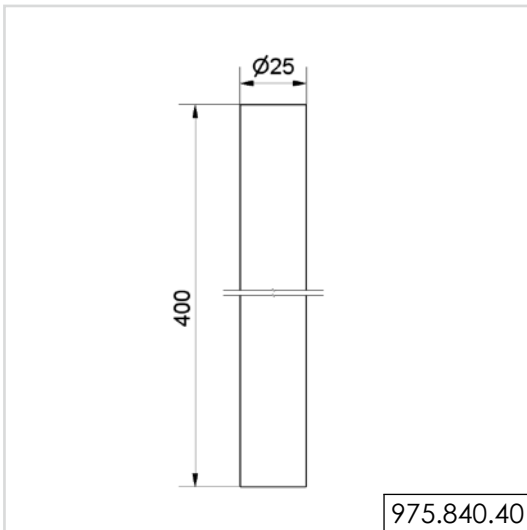
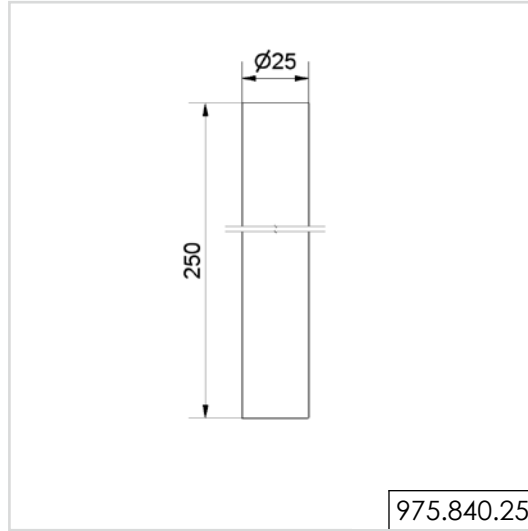
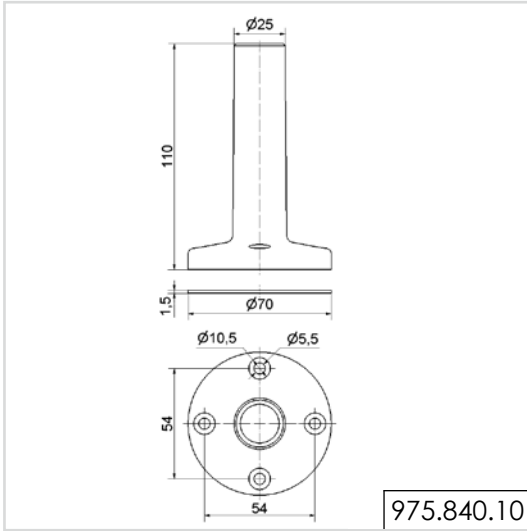
| | |
|---|--|
| <p>Contact box for cable exit at side Order no. 975 840 01</p> | <p>Contact box for cable exit at side Order no. 975 840 01</p> |
| <p>Bracket for base mounting Order no. 960 000 02</p> | <p>Contact box with magnetic base and cable exit at side Order no. 975 840 04</p> |
| <p>Bracket for 1-sided mounting Order no. 975 840 85</p> | <p>Bracket for base mounting with concealed cable entry Order no. 960 000 14</p> |
| <p>Bracket for 2-sided mounting Order no. 975 840 86</p> | <p>Bracket for tube mounting Order no. 960 000 01</p> |
| <p>Corner fixing bracket Order no. 960 000 41</p> | <p>Corner fixing bracket Order no. 960 000 41</p> |



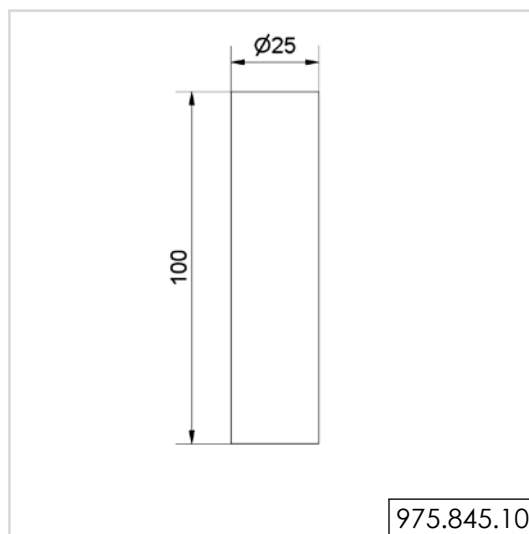
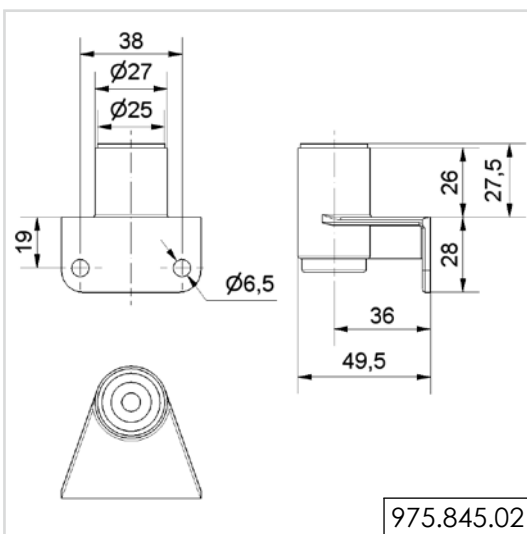
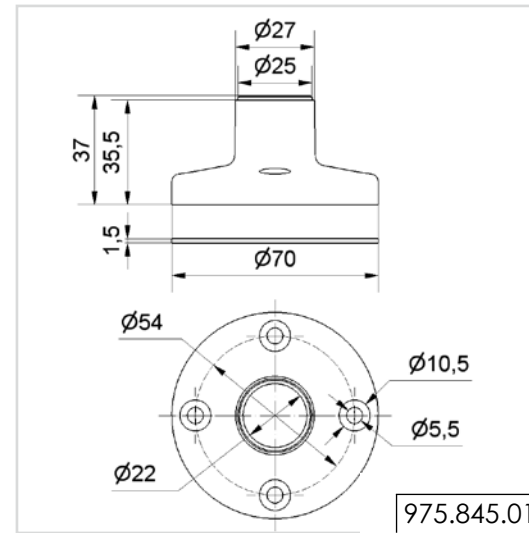
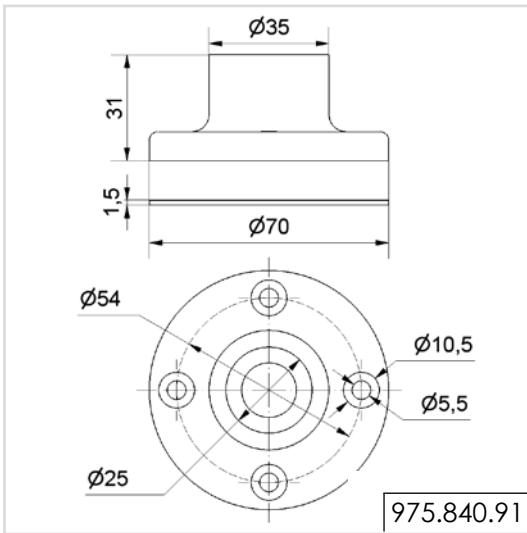
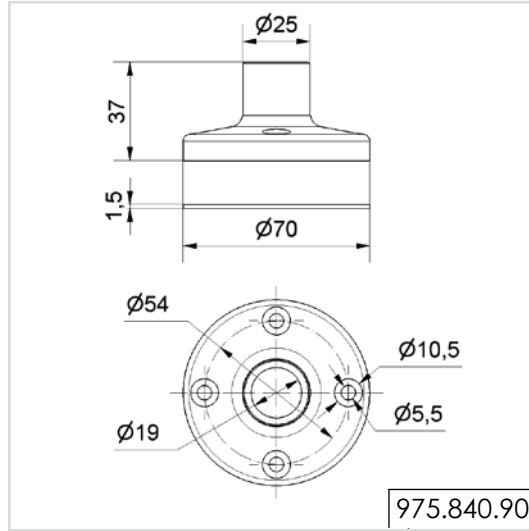
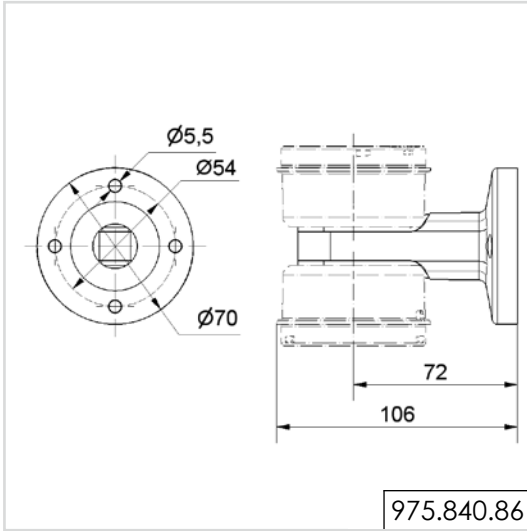
! ADDITIONAL INFORMATION:

You are welcome to request the technical diagrams in digital form. The relevant 3D models, instruction leaflets and connection diagrams can be obtained from us or downloaded from our homepage at any time.

Technical Diagrams

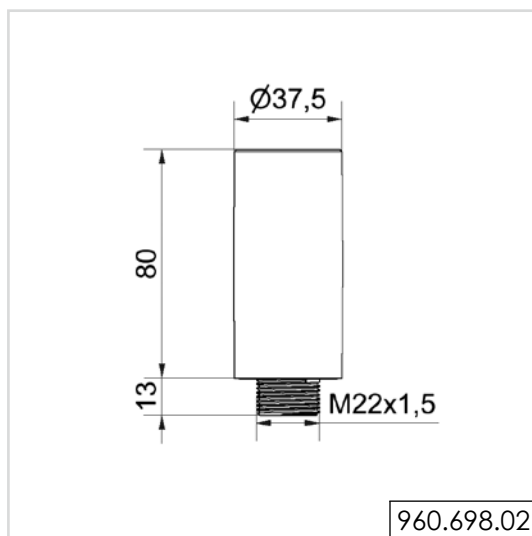
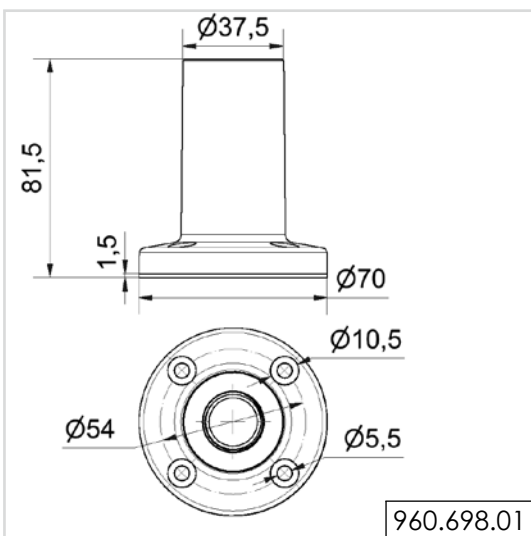
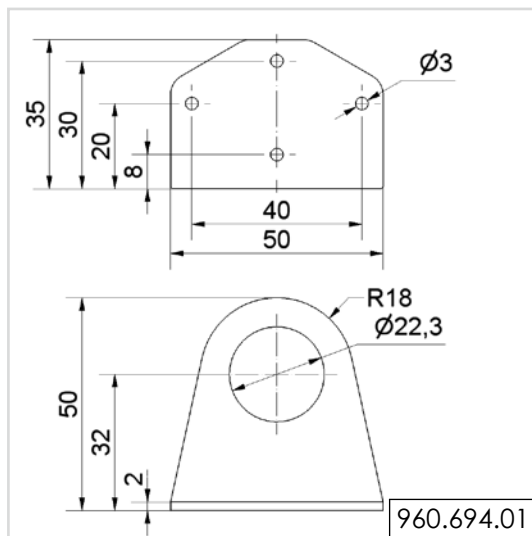
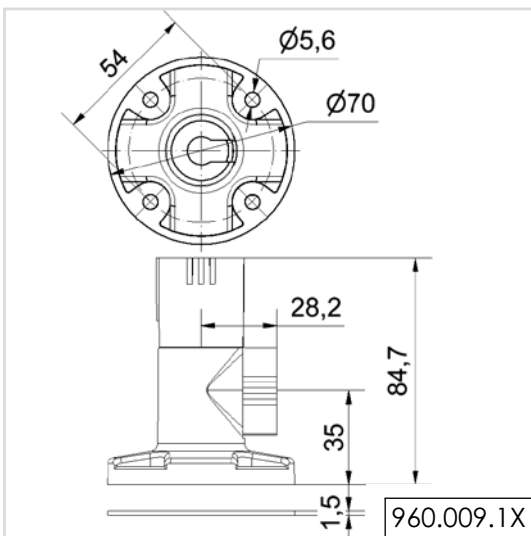
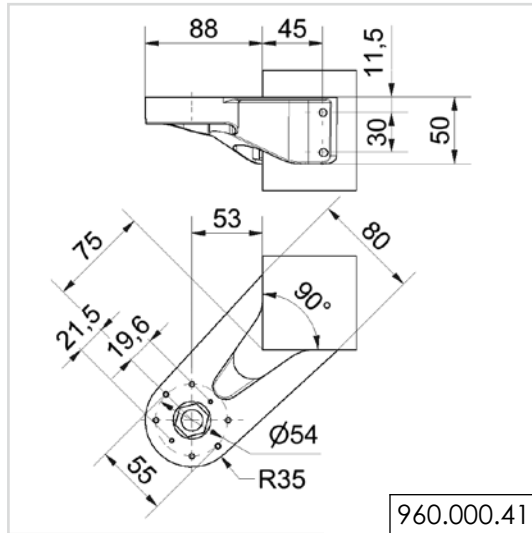
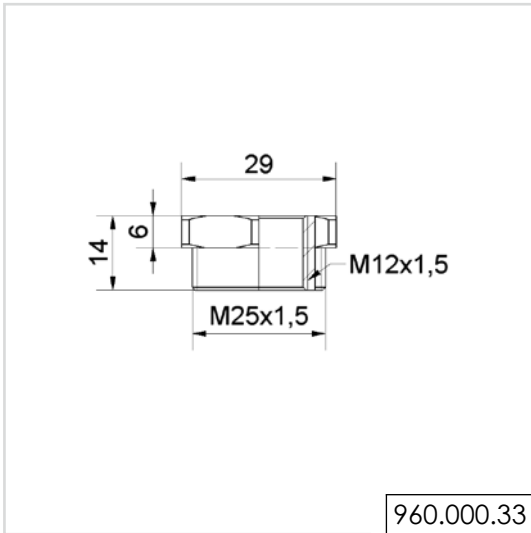


Technical
Diagrams



! ADDITIONAL INFORMATION:

You are welcome to request the technical diagrams in digital form. The relevant 3D models, instruction leaflets and connection diagrams can be obtained from us or downloaded from our homepage at any time.



! ADDITIONAL INFORMATION:

You are welcome to request the technical diagrams in digital form. The relevant 3D models, instruction leaflets and connection diagrams can be obtained from us or downloaded from our homepage at any time.