

Signal Towers KombiSIGN 71

This is how you can assemble your KombiSIGN 71 signal tower

► STEP 1

Select the required optical or audible elements in the correct voltage (for details see page 33).

Many KombiSIGN highlights are also available (for details see page 31).

Audible Signal Elements

- Buzzer element
- Siren element
- Vocal element

Optical Signal Elements

- (LED) Permanent light
- LED Permanent light ultrabright
- (LED) Flashing light
- LED EVS element
- LED Blinking light
- LED Rotating light
- LED Permanent light element multicolour

► STEP 2

Select the appropriate mounting option for your application.

► STEP 3

Select the correct terminal element for your mounting option (for details see page 43).

Base Mounting	Tube Mounting
<p>Terminal element with CAGE CLAMP® technology Order no. 640 800 00</p>	<p>Terminal element with CAGE CLAMP® technology Order no. 640 810 00</p>
<p>Screw terminal Order no. 640 820 00</p>	<p>Screw terminal Order no. 640 830 00</p>
<p>Terminal element M12 Order no. 640 850 55</p>	<p>Terminal element M12 Order no. 640 860 55</p>

► STEP 4

Where appropriate, select a base and the desired tube length (only for tube mounting) (For details see page 67).

<p>Tube with clamp Order no. 960 000 18</p>	<p>Adaptor for single hole mounting Order no. 960 000 25</p>	<p>Base with integrated tube Order no. 975 840 10</p>	<p>Tube Ø 25 mm, all anodized</p> <table border="0"> <tr><td>100 mm long</td><td>975 845 10</td></tr> <tr><td>250 mm long</td><td>975 840 25</td></tr> <tr><td>400 mm long</td><td>975 840 40</td></tr> <tr><td>600 mm long</td><td>975 840 60</td></tr> <tr><td>800 mm long</td><td>975 840 80</td></tr> <tr><td>1000 mm long</td><td>975 840 03</td></tr> </table> <p>Base for Tube, plastic Order no. 975 840 90</p> <p>Base for Tube, metal Order no. 975 840 91</p> <p>Foldaway Base Order no. 960 000 30</p> <p>Foldaway Base Order no. 960 009 12</p> <p>Tube Ø 25 mm, plastic, only for Foldaway Base, 45 mm long Order no. 960 000 31</p>	100 mm long	975 845 10	250 mm long	975 840 25	400 mm long	975 840 40	600 mm long	975 840 60	800 mm long	975 840 80	1000 mm long	975 840 03
100 mm long	975 845 10														
250 mm long	975 840 25														
400 mm long	975 840 40														
600 mm long	975 840 60														
800 mm long	975 840 80														
1000 mm long	975 840 03														

► STEP 5

Where appropriate, select the bracket and the contact box (for details see page 67).

TIP

The Signal Devices Site on the Internet: www.werma.com

With new **signal tower configurator** you can put together your own individual signal tower.

<p>Contact box for cable exit at side Order no. 975 840 01</p>	<p>Contact box for cable exit at side Order no. 975 840 01</p>
<p>Bracket for base mounting Order no. 960 000 02</p>	<p>Contact box with magnetic base and cable exit at side Order no. 975 840 04</p>
<p>Bracket for 1-sided mounting Order no. 975 840 85</p>	<p>Bracket for base mounting with concealed cable entry Order no. 960 000 14</p>
<p>Bracket for 2-sided mounting Order no. 975 840 86</p>	<p>Bracket for tube mounting Order no. 960 000 01</p>
<p>Corner fixing bracket Order no. 960 000 41</p>	<p>Corner fixing bracket Order no. 960 000 41</p>



Screw terminal with cap



Terminal element with practical M12 connection socket in base



Direct triggering of the signal tower elements via USB Interface

- Bayonet locking mechanism enables quick and easy assembly of the signal tower
- The ideal solution for every installation

i TECHNICAL SPECIFICATIONS:

Dimensions (Ø x Height):	See below	
Housing:	Terminal element: PA fibreglass, high-impact Cap: PC	
Fixing:	Base mounting Tube mounting, for tube Ø 25 mm Bracket mounting (accessory)	
Cable entry:	Cable diameter max. 14 mm	
Element seal:	Pre-mounted with each module	
Protection rating:	IP 65	
Number of modules possible:	Max. 5	

	<u>Tube mounting</u>	<u>Base mounting</u>
Screw terminal		
Dimensions (Ø x Height):	70 mm x 42,5 mm	70 mm x 42,5 mm
Connection:	Screw terminal max. 2,5 mm ²	
Voltage:	12-240 V AC/DC	12-240 V AC/DC
	Incl. cap	Incl. cap and seal

CAGE CLAMP® technology
(see picture page 44)

Dimensions (Ø x Height):	70 mm x 42,5 mm	70 mm x 42,5 mm
Connection:	CAGE CLAMP® technology max. 2,5 mm ²	
Voltage:	12-240 V AC/DC	12-240 V AC/DC
	Incl. cap	Incl. cap and seal

Terminal element M12

Dimensions (Ø x Height):	70 mm x 56 mm	70 mm x 50 mm
Connection:	M12 connector (8 pole)	
Voltage:	12-24 V DC	12-24 V DC
Current carrying capacity:	≤ 2 A	≤ 2 A
	Incl. cap	Incl. cap and seal
	No UL approval	No UL approval

Terminal element with USB Interface

Dimensions (Ø x Height):	70 mm x 36 mm	-
Fixing:	Tube mounting (accessory)	
Connection:	Via USB	
Voltage:	Terminal element: Via USB (5 V DC)	
Voltage:	24 V DC	
Current carrying cap. Σ I _{max} :	90 mA at 24 V	
Assembly:	Assembly includes installation software, drivers, handbook and USB connection cable (length 1.8 m)	
Suitable for:	Windows 2000 service pack 4, Windows XP, Windows Vista or Windows 7. Also for Windows Server und Windows CE operating systems	

- Direct triggering of signal tower elements via USB Interface
- Actuation via DLL (Dynamic Link Library) or VCP (Virtual-COM-Port)
- Simple integration into any customer-specific software
- No additional power supply or Hardware necessary
- Up to five signal towers with a maximum of five elements each can be connected

ORDER SPECIFICATIONS: see next page

640 8X0 00
x = 0,1,2,3

See note on page 347

24 V

UL US CE EAC IP65 +50°C -20°C PLC



ORDER SPECIFICATIONS:

	Tube mounting	Base mounting
Screw terminal	640 830 00	640 820 00
CAGE CLAMP®	640 810 00	640 800 00
NEW Terminal element M12	640 860 55	640 850 55
Terminal element with USB interface	640 840 00	-

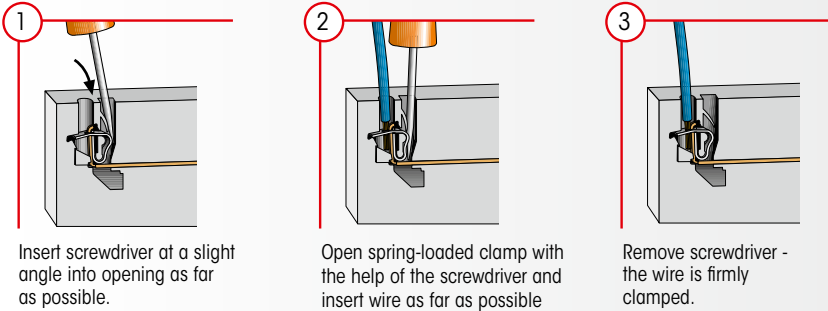
ACCESSORIES:

Base with integrated tube	975 840 10
Base for tube (metal)	975 840 91
Tube Ø 25 mm, Aluminium eloxiert	
100 mm long	975 845 10
250 mm long	975 840 25
400 mm long	975 840 40
600 mm long	975 840 60
800 mm long	975 840 80
1000 mm long	975 840 03

Suitable accessories can be found on page 67.

ADDITIONAL INFORMATION:

Terminal elements with CAGE CLAMP® technology enable leads to be quickly and easily wired, guaranteeing a secure and reliable contact.



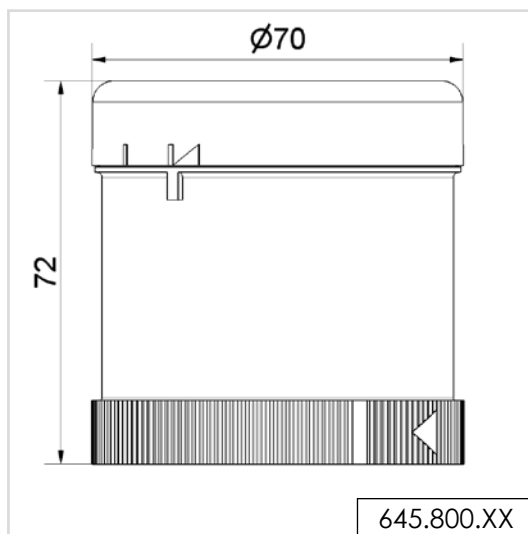
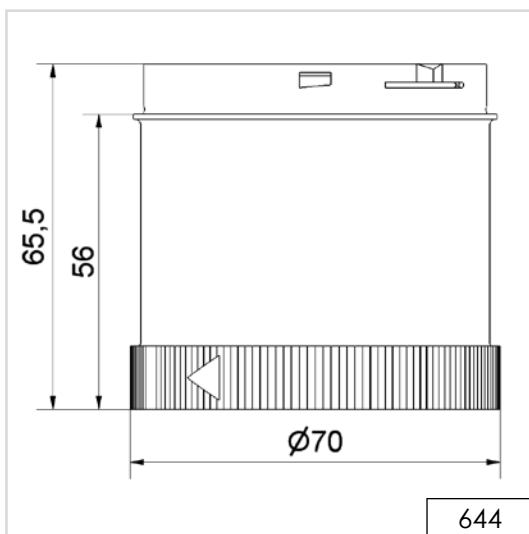
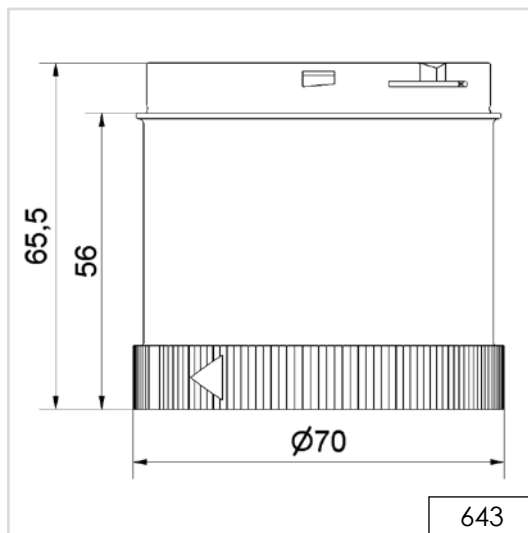
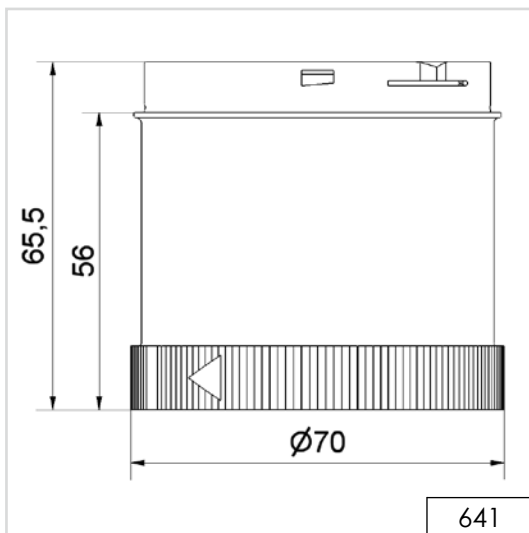
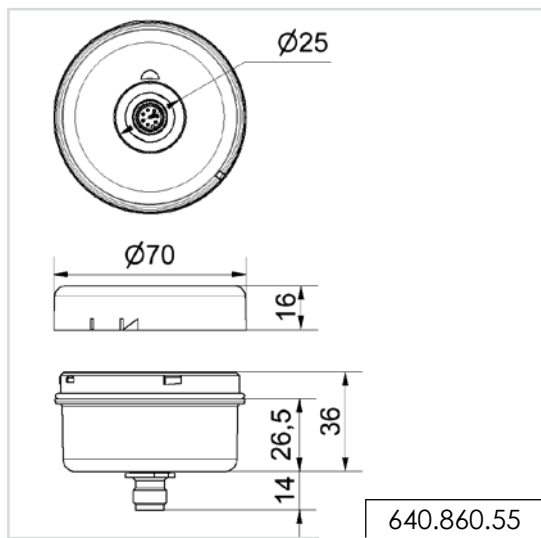
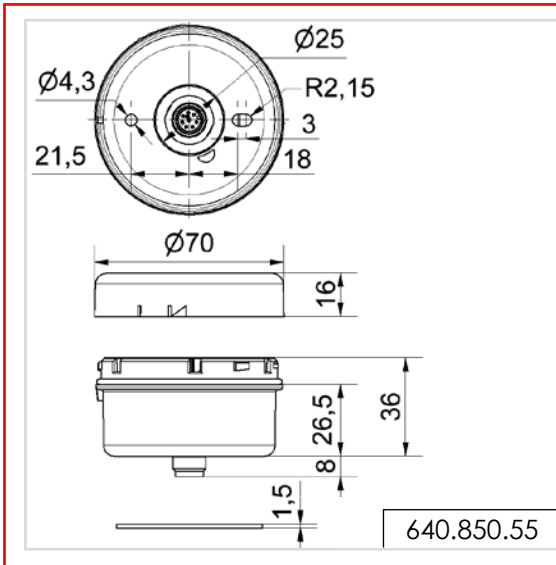
CAGE CLAMP® is a registered trademark of WAGO Kontakttechnik GmbH.

TECHNICAL DIAGRAMS:

see page 308

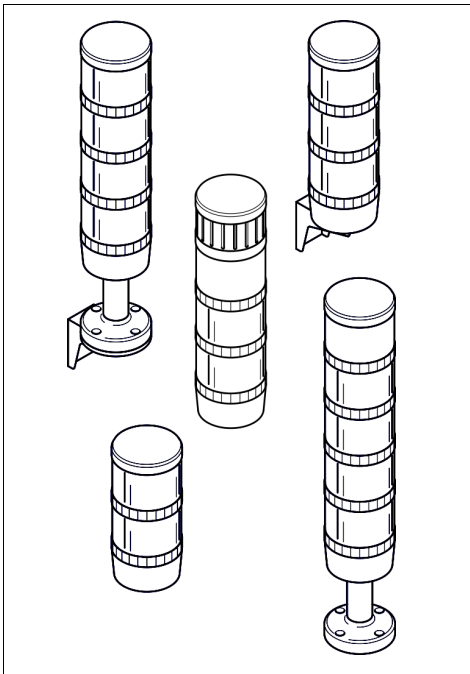
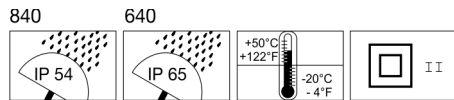
See note on page 347



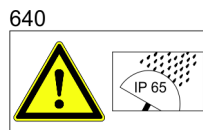
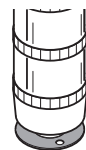
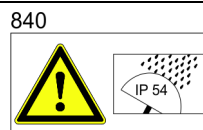



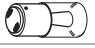
! ADDITIONAL INFORMATION:

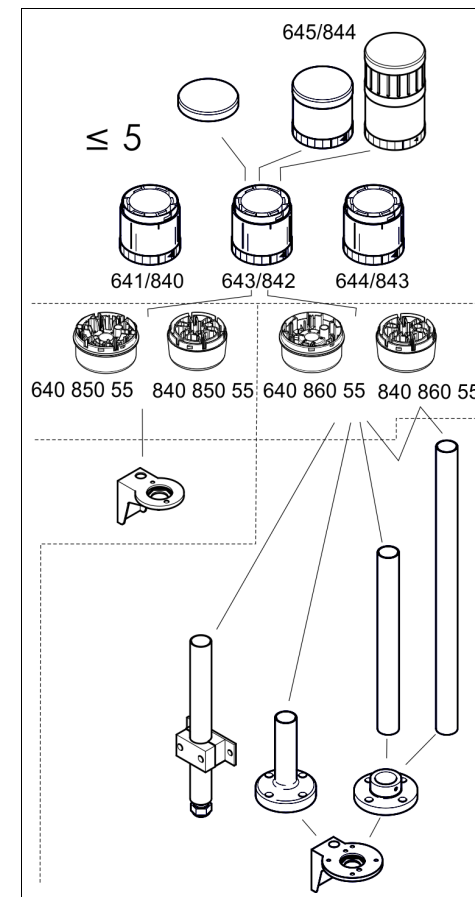
You are welcome to request the technical diagrams in digital form. The relevant 3D models, instruction leaflets and connection diagrams can be obtained from us or downloaded from our homepage at any time.



- Ⓓ Anschluss **ausschließlich** durch ausgebildete Elektro-Fachkräfte.
- Ⓔ Electrical connection is to be made by trained electrical specialists **only**.
- Ⓕ Le branchement doit **uniquement** être effectué par des professionnels.
- Ⓖ Il collegamento deve essere eseguito **solo** da elettricisti specializzati.
- Ⓔ La conexión **sólo** debe ser realizada por electricistas debidamente formados.
- Ⓕ A ligação deve ser feita **exclusivamente** por profissional eléctrico especializado.
- Ⓖ De aansluiting mag **enkel** gebeuren door erkende vakmensen.
- Ⓕ Připojení smí **provádět** pouze kvalifikovaný personál.
- Ⓕ Podłączenie **wyłącznie** przez specjalistów-elektryków.
- Ⓕ Liittäminen kuuluu **ainoastaan** koulutettujen sähköalan ammattilaisten tehtäviin.
- Ⓕ Подключение проводится только специалистом-электриком.
- Ⓕ Bağlantı **sadece** eğitimli elektrik teknisyenleri tarafından yapılmalıdır.
- Ⓕ 布线需由专业电工执行



640 850 55	12 – 24 V=, < 2 A
640 860 55	12 – 24 V=, < 2 A
840 850 55	12 – 24 V=, < 2 A
840 860 55	12 – 24 V=, < 2 A
643 x00 55	24 V=
842 x00 54	12 V=
842 x00 55	24 V=
644 x20 55	24 V=
843 x20 55	24 V≈
644 x00 75	24 V≈
843 x00 55	24 V≈
644 x10 75	24 V≈
843 x10 75	24 V≈
644 x30 75	24 V≈
843 x30 55	24 V=
644 x40 55	24 V=
843 x40 55	24 V=
644 450 55	24 V=
843 450 55	24 V=
644 x80 55	24 V≈
843 x80 55	24 V≈
645 800 75	24 V≈
844 118 55	24 V=
645 820 75	24 V≈
645 850 55	24 V=
645 830 55	24 V= (IP40)
844 123 55	24 V= (IP40)
844 126 55	24 V=
844 126 95	24 V=
645 810 55	24 V=
844 810 55	24 V=
641 x00 00	12 – 240 V=
840 x00 00	12 – 240 V=
	BA 15 d
	
956 x00 75	24 V≈
	
	BA 15 d, < 42 mm
955 840 34	12 V, 5 W, max. 4x
955 840 35	24 V, 5 W
960 000 46	12 – 24 V=, < 2 A, 5 m

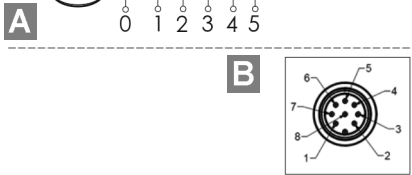
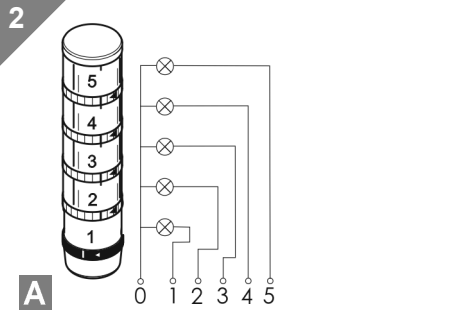
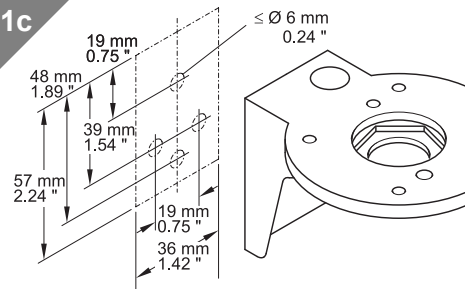
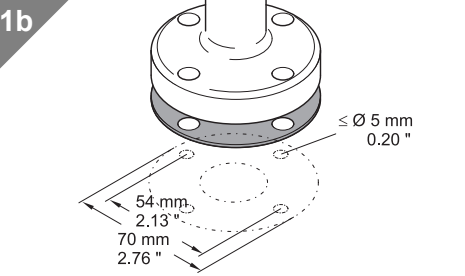
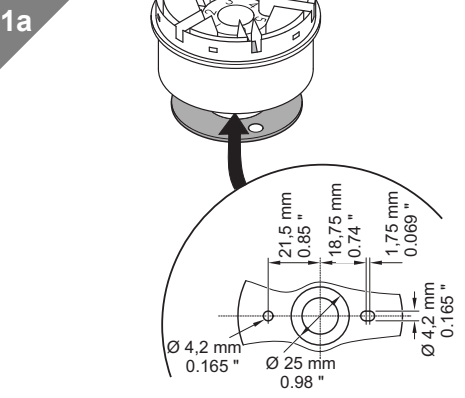


644 x40 55/843 x40 55

- Ⓓ Bei Epilepsie ungeeignet!
- Ⓔ Unsuitable for epilepsy sufferers
- Ⓕ Ne convient pas aux personnes souffrant d'épilepsie
- Ⓖ Inadatto per epilettici
- Ⓔ Inadecuado para epilépticos
- Ⓕ Não aconselhavel a pessoas que sofrem de Epilepsia.
- Ⓖ Niet geschikt voor epileptici.
- Ⓕ Nevhodné pro epileptiky
- Ⓕ Nie stosować przy zchorzeniu padaczkzi
- Ⓕ Ei sovellu epileptikoille
- Ⓕ Не подходит для страдающих эпилепсией
- Ⓕ Epilepsi hastalığı olanların kullanmamasi önerilir
- Ⓕ 不适用于癫痫病患者

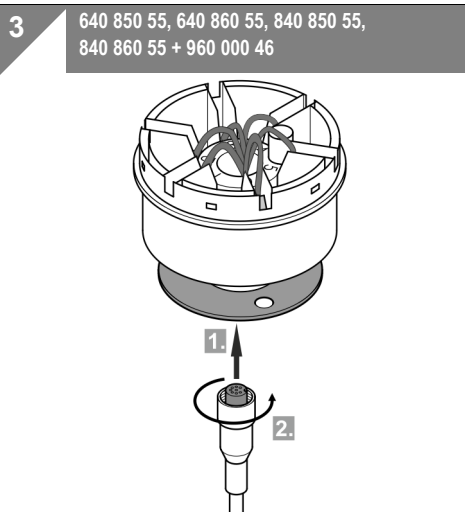


1
 1a - 840 850 55, 640 850 55
 1b - 975 840 10, 975 840 91
 1c - 960 000 01, 960 000 02

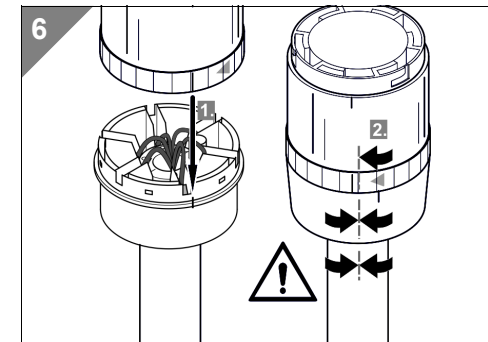
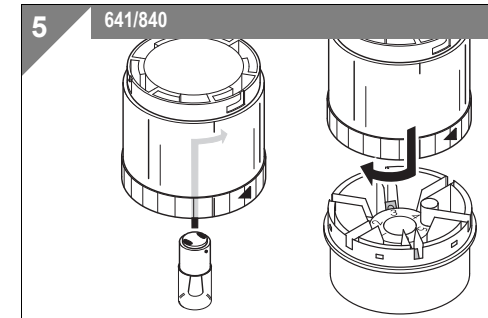
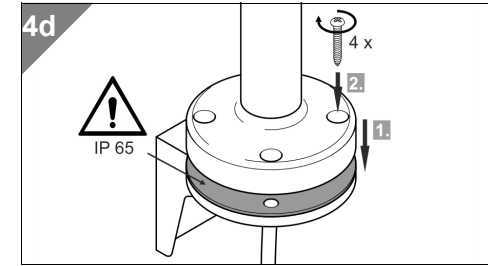
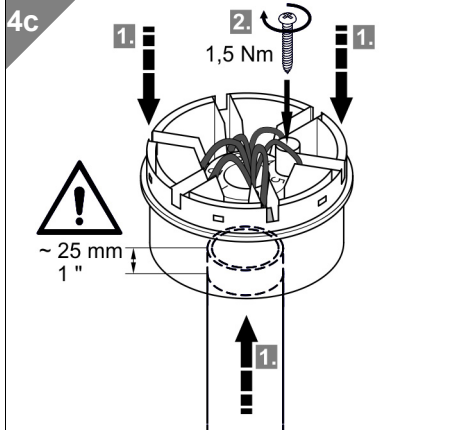
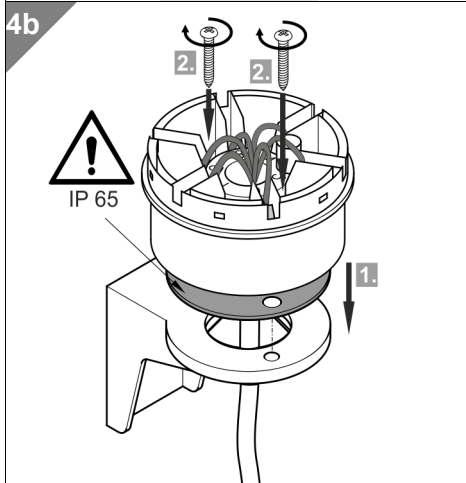
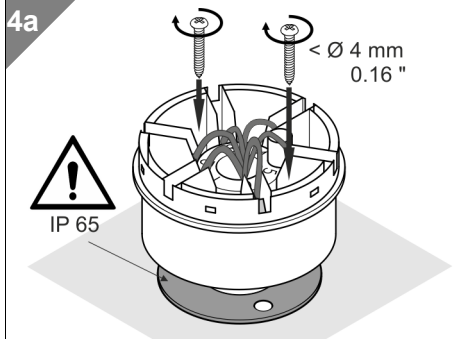


A Anschlussklemme im Anschlusselement	B M12 Anschluss am Anschlusselement
Pin number in the terminal element	M12 Pin number on the terminal element
1	1
2	2
3	3
4	4
5	5
NC	6
0 - GND	7
NC	8

NC = nicht belegt, not connected



4
 4a - 840 850 55, 640 850 55
 4b - 840 850 55, 640 850 55 + 960 000 02
 4c - 840 860 55, 640 860 55 + 975 840 10
 4d - 975 840 10, ..., + 960 000 01



7
 644 450 55/843 450 55

 ≤3 C B A	Montageposition mounting position	Anschluss Nummer, Pin number, (NC = nicht belegt, not connected)		
	C	3	4	5
	B	2	3	4
A	1	2	3	4
Farbe, Colour	rot, red	24 V(+)	NC	NC
	grün, green	NC	24 V(+)	NC
	gelb, yellow	24 V(+)	24 V(+)	NC
	blau, blue	NC	NC	24 V(+)
	klar, clear	24 V(+)	24 V(+)	24 V(+)
violett, violet	24 V(+)	NC	24 V(+)	
türkis, turquoise	NC	24 V(+)	24 V(+)	