

General Specifications

Motor Protection:

Auto Restart/Polarity Protection

Insulation Resistance:

10M Ω or over with a DC500V Megger

Dielectric Withstand Voltage: AC 700V 1s

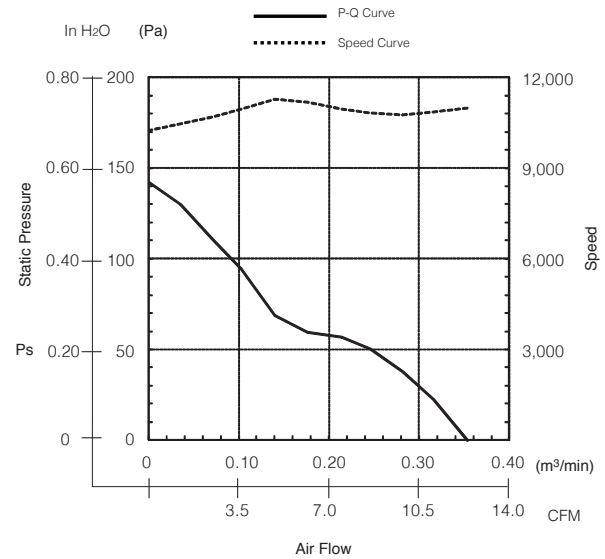
Allowable Ambient Temperature Range:

-10°C ~ +70°C (Operating)

-40°C ~ +70°C (Storage)

IP Code: IP69K

Characteristic Curves



Expected Life

25°C 100,000 Hours (L10)

Material

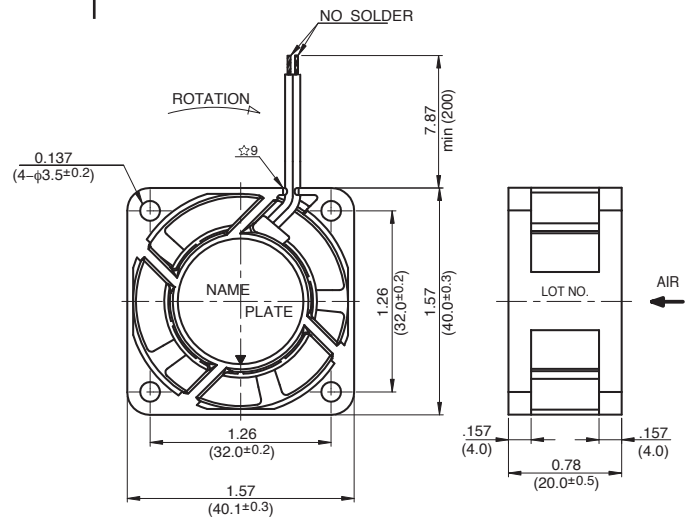
Casing : Plastic (Black) UL94V-0

Impeller : Plastic (Black) UL94V-0

Bearing : Ball Bearing

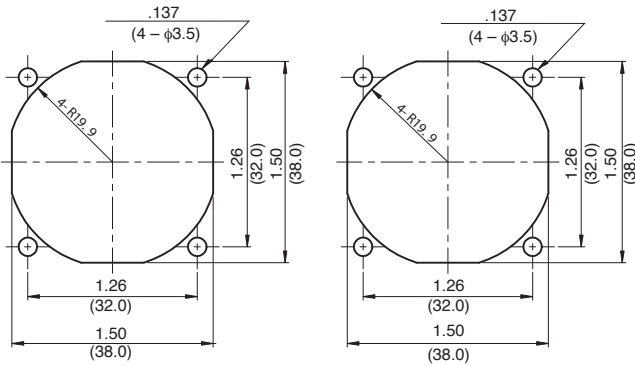
Lead Wire : UL3385, AWG26, +Red, -Black

Outline



Panel Cut-Outs

Units: $\frac{\text{inch}}{\text{mm}}$



INLET SIDE

OUTLET SIDE

Specifications

MODEL	Rated Voltage	Operating Voltage	Current	Input Power	Speed	Max. Air Flow		Max. Static Pressure		Noise	Mass
	(V)	(V)	(A) ^{*1}	(W) ^{*1}	(min ⁻¹) ^{*1}	CFM ^{*1}	(m ³ /min) ^{*1}	in H ₂ O	(Pa) ^{*1}	(dB) ^{*1}	(g)
04020VA-12Q-CA-00	12	9.0 ~ 13.2	0.13	1.56	11000	12.36	0.35	.57	142	42.0	40
04020VA-24Q-CA-00	24	14.0 ~ 26.4	0.09	2.16	11000	12.36	0.35	.57	142	42.0	40

Rotation: Clockwise

Airflow Outlet: Air Out Over Struts

*1: Average Values in Free Air

Note: PWM/Locked Rotor/Tach Available