
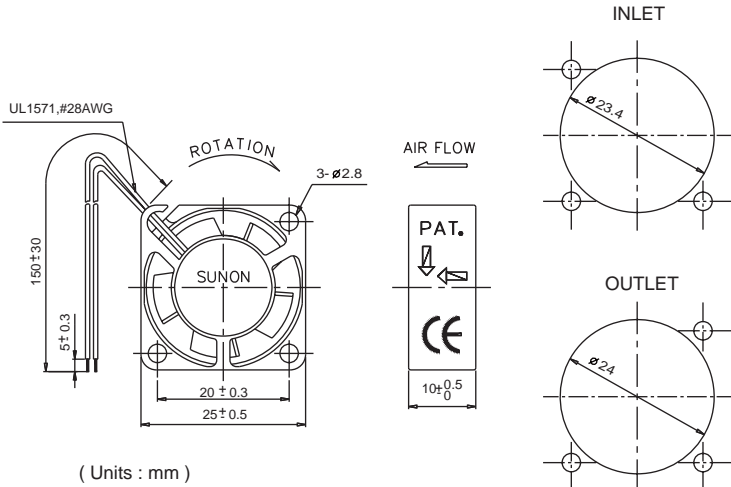
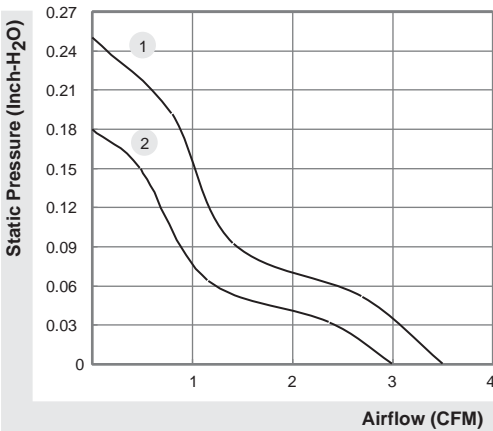


25x25x10 mm

3.0~3.5 CFM



|  | P/N | Bearing | Rating Voltage (VDC) | Power Current (AMP) | Power Consumption (WATTS) | Speed (RPM) | Air Flow (CFM) | Static Pressure (Inch-H <sub>2</sub> O) | Noise (dBA) | Weight (g) | Curve |
|---|-----|---------|----------------------|---------------------|---------------------------|-------------|----------------|---|-------------|------------|-------|
|   |     |         |                      |                     |                           |             |                |   |             |            |       |
| GM0502PFV1-8  | GN  | ●       | 5                    | 0.12                | 0.6                       | 13000       | 3.5            | 0.25                                    | 23          | 7.5        | 1     |
| GM0502PFV2-8  | GN  | ●       | 5                    | 0.08                | 0.4                       | 10000       | 3.0            | 0.18                                    | 16          | 7.5        | 2     |
| GM1202PFV1-8  | GN  | ●       | 12                   | 0.067               | 0.8                       | 13000       | 3.5            | 0.25                                    | 23          | 7.5        | 1     |
| GM1202PFV2-8  | GN  | ●       | 12                   | 0.038               | 0.5                       | 10000       | 3.0            | 0.18                                    | 16          | 7.5        | 2     |



\*All model could be customized. Please contact with Sunon Sales.  
 \*Specifications subject to change without notice. Please Visit SUNON web site at <http://www.sunon.com> for update information.