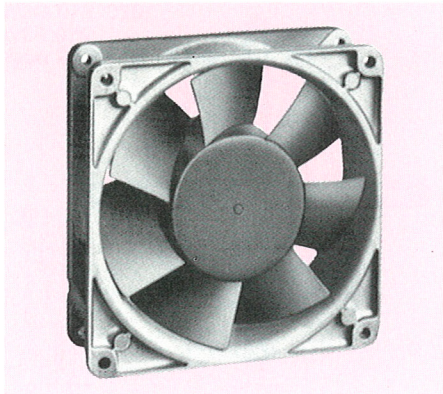


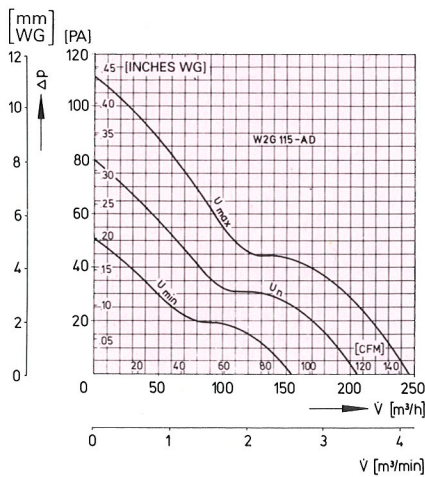
W2G 115 AD



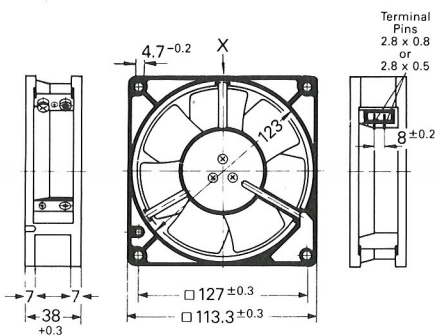
Lead length : 270mm
from housing

Approvals : UL.CSA.VDE

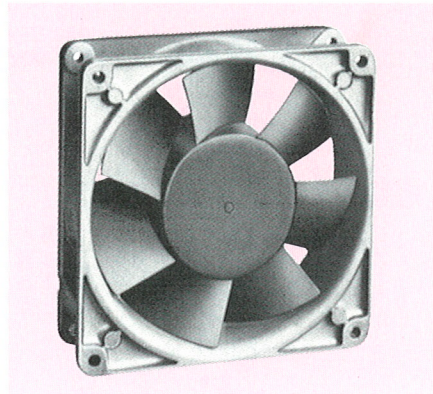
Construction : All Metal



AIRFLOW DIRECTION: 'V' BLOWING OVER STRUTS



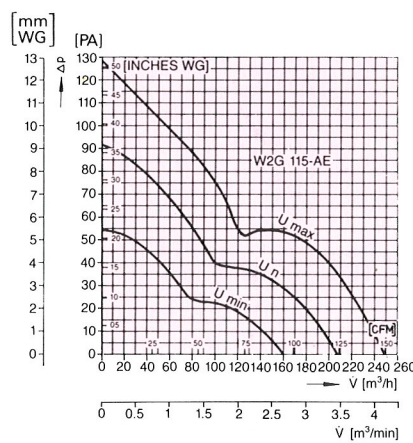
W2G 115 AE



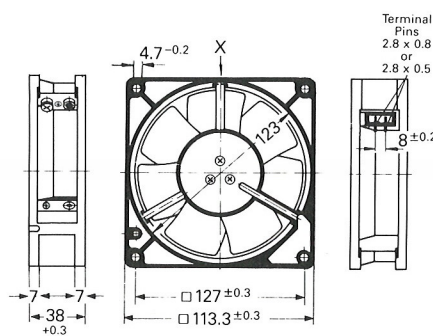
Lead length : 270mm
from housing

Approvals : UL.CSA.VDE

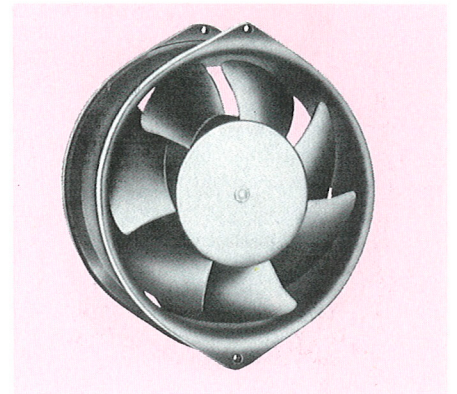
Construction : All Metal



AIRFLOW DIRECTION: 'V' BLOWING OVER STRUTS



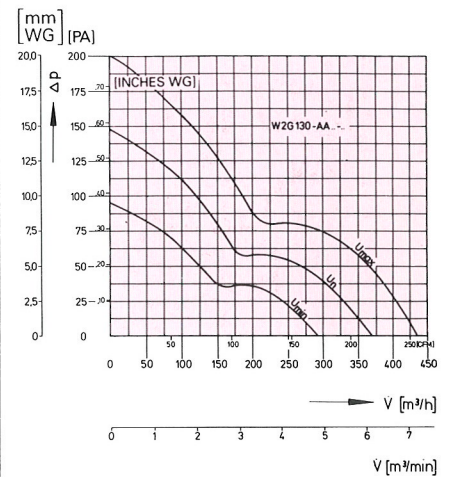
W2G 130 AA



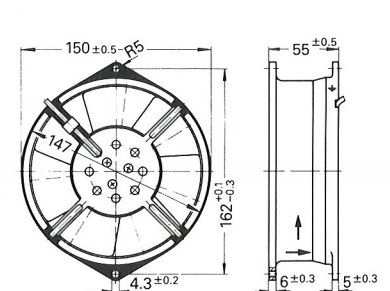
Lead length : 330mm
from housing

Approvals : UL.CSA.VDE†

Construction : All Metal



AIRFLOW DIRECTION: 'V' BLOWING OVER STRUTS



† Applied for

115

TYPE	AIRFLOW DIRECTION 'A' or 'V'	NOMINAL VOLTAGE (V)	VOLTAGE RANGE	MAXIMUM AIRFLOW (m ³ /h)	SPEED (RPM)	POWER INPUT (WATTS)	CURRENT CONSUMPTION (A)	SOUND LEVEL (dBA)	BEARINGS B = Ball S = Sleeve	CONNECTION L = Lead P = Pins	MAXIMUM AMBIENT TEMPERATURE °C
W2G115-AD15-01	V	12	8-16	200	2800	4.5	0.375	44	B	L	-25 to +72
W2G115-AD15-02									B	P	
W2G115-AD15-03									S	L	-10 to +60
W2G115-AD15-04									S	P	
W2G115-AD17-01	V	24	18-30	200	2800	4.7	0.2	44	B	L	-25 to +72
W2G115-AD17-02									B	P	
W2G115-AD17-03									S	L	-10 to +60
W2G115-AD17-04									S	P	
W2G115-AD19-01	V	48	36-56	200	2800	4.6	0.098	44	B	L	-25 to +72
W2G115-AD19-02									B	P	
W2G115-AD19-03									S	L	-10 to +60
W2G115-AD19-04									S	P	
W2G115-AE53-01	V	12	8-14	205	3050	6	0.5	45	B	L	-25 to +72
W2G115-AE53-02									B	P	
W2G115-AE53-03									S	L	-10 to +60
W2G115-AE53-04									S	P	
W2G115-AE31-01	V	24	18-30	205	3050	6	0.25	45	B	L	-25 to +72
W2G115-AE31-02									B	P	
W2G115-AE31-03									S	L	-10 to +60
W2G115-AE31-04									S	P	

130

W2G130-AA01-01	V	12	8-16	370	2850	16	1.12	51	B	L	-25 to +60
W2G130-AA03-01	V	24	18-30	370	2850	16	0.56	51	B	L	-25 to +60
W2G130-AA05-01	V	48	36-56	370	2850	16	0.28	51	B	L	-25 to +60

144

W2G144-AA19-01	V	12	6-24	375	2950	14	1.17	55	B	P	-25 to +72
W2G144-AA19-09									B	L	
W2G144-AA21-01	V	24	18-30	375	2950	14	0.59	55	B	P	-25 to +60
W2G144-AA21-09									B	L	
W2G144-AA23-01	V	48	36-56	375	2950	14	0.3	55	B	P	-25 to +72
W2G144-AA23-09									B	L	