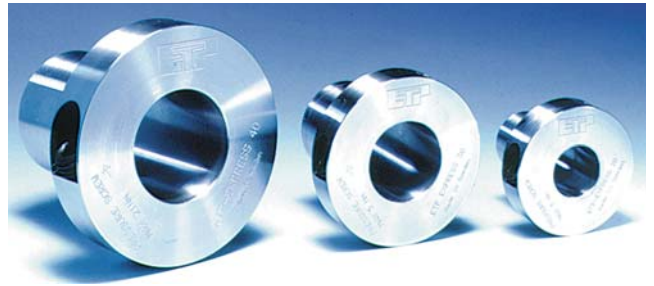


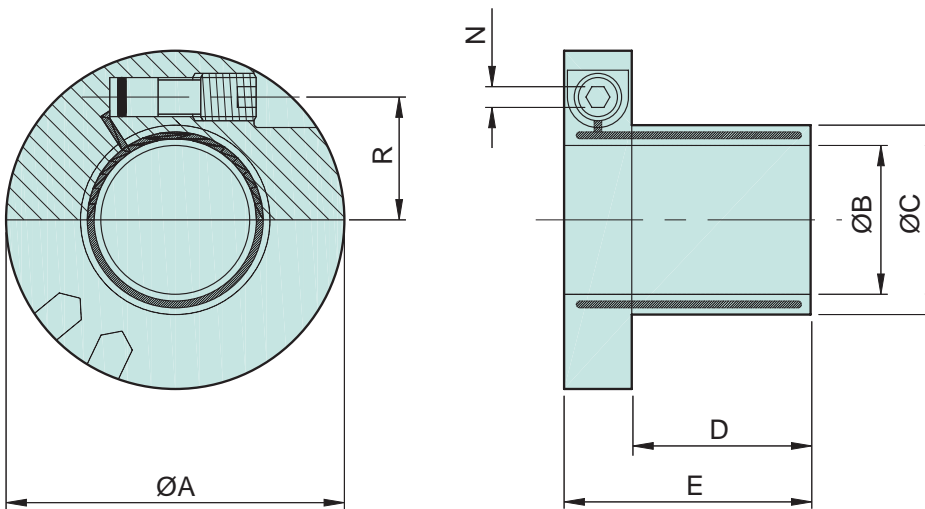
ETP-EXPRESS

ETP-Express is a single screw locking bush to the ETP hydraulic principle. The single screw and piston allows the bush to be located and fixed in one operation. Dismantling by loosening the screw immediately releases the bush, an operation that can be repeated hundreds of times.



- Single radial pressure screw**
- Ultra fast fixing**
- No axial movement during mounting**
- Remountable up to 1000 times**
- Medium to high torques**
- Thin wall for compact assemblies**

H7 hub tolerances, h7 shaft tolerances for 15,19, 22, 24, 28, 32, 38, 42, 48 and 55 sizes
 H7 hub tolerances h8 shaft tolerances for all other sizes.



Temperature

Max. allowed 85°C
 Min. allowed -30°C
 Refer to Bedford if ambient temperatures are below 0°C.

Concentricity

0.03 mm

Ordering example

(2) off ETP-EXPRESS 24 bushes for 24 mm shaft

Stockline No. R6-642 182

ETP EXPRESS size	Rated torque Tr Nm	Max axial force Fr kN	Max radial force Fr kN	Weight grams	A	B	C	D	E	R	N mm	Mt Nm	Stockline No. ETP-EXPRESS standard
5/8	53	6.7	0.5	170	47	15.87	19	26	40	15.6	5	5	R6-538 710
3/4"	85	8.9	1	200	49.5	19.05	23	28	42	17.4	5	5	R6-920 555
1"	190	15	1.5	290	60	25.4	31	35	49	21.2	5	5	R6-538 729
1 1/4	430	27	2.2	420	68.5	31.75	39	42	56	24.8	5	5	R6-538 729
1 1/2	890	46	2.8	840	84.5	38.1	46	52	72	31	8	21	R6-538 745
15	46	6.1	0.5	160	45	15	18	25	39	15.1	5	5	R6-642 158
19	85	8.9	1	200	49.5	19	23	28	42	17.4	5	5	R6-642 166
20	110	11	1	210	50	20	24	30	44	18	5	5	R6-642 174
22	130	11	1.2	250	55.5	22	27	32	46	19.3	5	5	R6-291 83X
24	190	15	1.4	270	58	24	29	33	47	20.3	5	5	R6-642 182
25	230	18	1.5	270	59	25	30	35	49	20.8	5	5	R6-642 190
28	280	20	1.8	340	62.5	28	34	38	52	22.6	5	5	R6-928 553
30	380	25	2	350	64	30	36	40	54	23.6	5	5	R6-642 202
32	440	27	2.2	420	66	32	39	42	56	24.8	5	5	R6-642 210
35	640	36	2.5	480	69.5	35	42	45	59	26.4	5	5	R6-642 229
38	890	46	2.8	840	84	38	46	52	72	31	8	21	R6-943 828
40	1100	55	3	880	85.5	40	48	55	75	32	8	21	R6-642 237
45	1400	62	3.5	1050	90.5	45	54	58	78	34.5	8	21	R6-642 245
50	1900	76	4.5	1200	96	50	60	60	80	37.5	8	21	R6-642 253
55	2400	87	5	1570	106	55	67	65	85	40.5	8	21	R6-923 908
60	3300	110	5.3	1850	115.5	60	73	70	90	43.3	8	21	R6-538 761
70	5600	160	6.4	3040	135.5	70	85	85	109	50.8	10	39	R6-538 788
80	8700	210	7.5	3750	145.5	80	97	97	119	56.3	10	39	R6-538 840

Where torque and axial force are to be transmitted refer to the graph on page 547 for details.

Stockline numbers in black – delivery time on request