

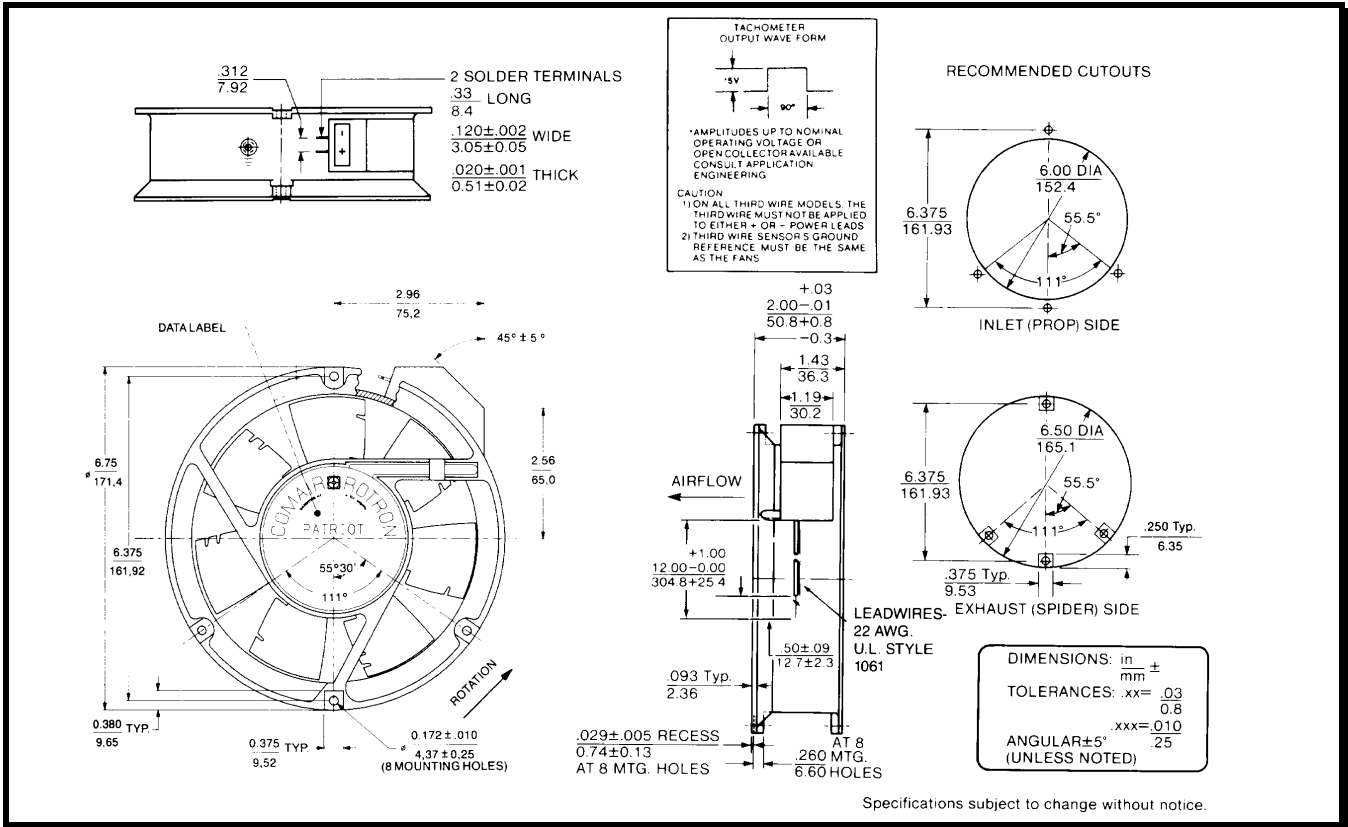
SPECIFICATIONS



Model Number: PQ24B7-E2
Part Number: 19039032A

Apr. 01, 2016

Mechanical Drawing:



Motor:

Nominal Voltage	= 24 vdc
Operating Voltage Range	= 12 - 28 vdc
Running Current	= 1.00 amps
Locked Rotor Current	= 2.00 amps
Running Power	= 24 watts
Average Speed	= 3500 RPM
Air Flow	= 235 CFM
Bearings	= Ball
Acoustic	= 51.2 dBA

Construction:

Venturi: Single Piece, Die-Cast Aluminum, Black
 Propeller: Plastic, Black, UL 94V-0

Agency Approvals:

UL, CE

Life Expectancy:

This fan is designed for continuous duty life of 82,500 hours at 50°C.

Features:

Brushless DC Motor
 Locked Rotor Protection
 Automatic Restart Capability
 Polarity Protected
 Operating Temperature: -10°C to 70°C
 Storage Temperature: -40°C to 85°C
 Environmental Type II Coating

Tachometer Specifications:

Output: 5 volt TTL Compatible
 I_c: 5 vdc Typical
 Pulses Per Revolution: 2
 Isolated: No

Termination:

12" Lead-wires, AWG 22, UL 1061
 Red: = Power (+)
 Black: = Return (-)
 Blue/White: = Tachometer (Output)