

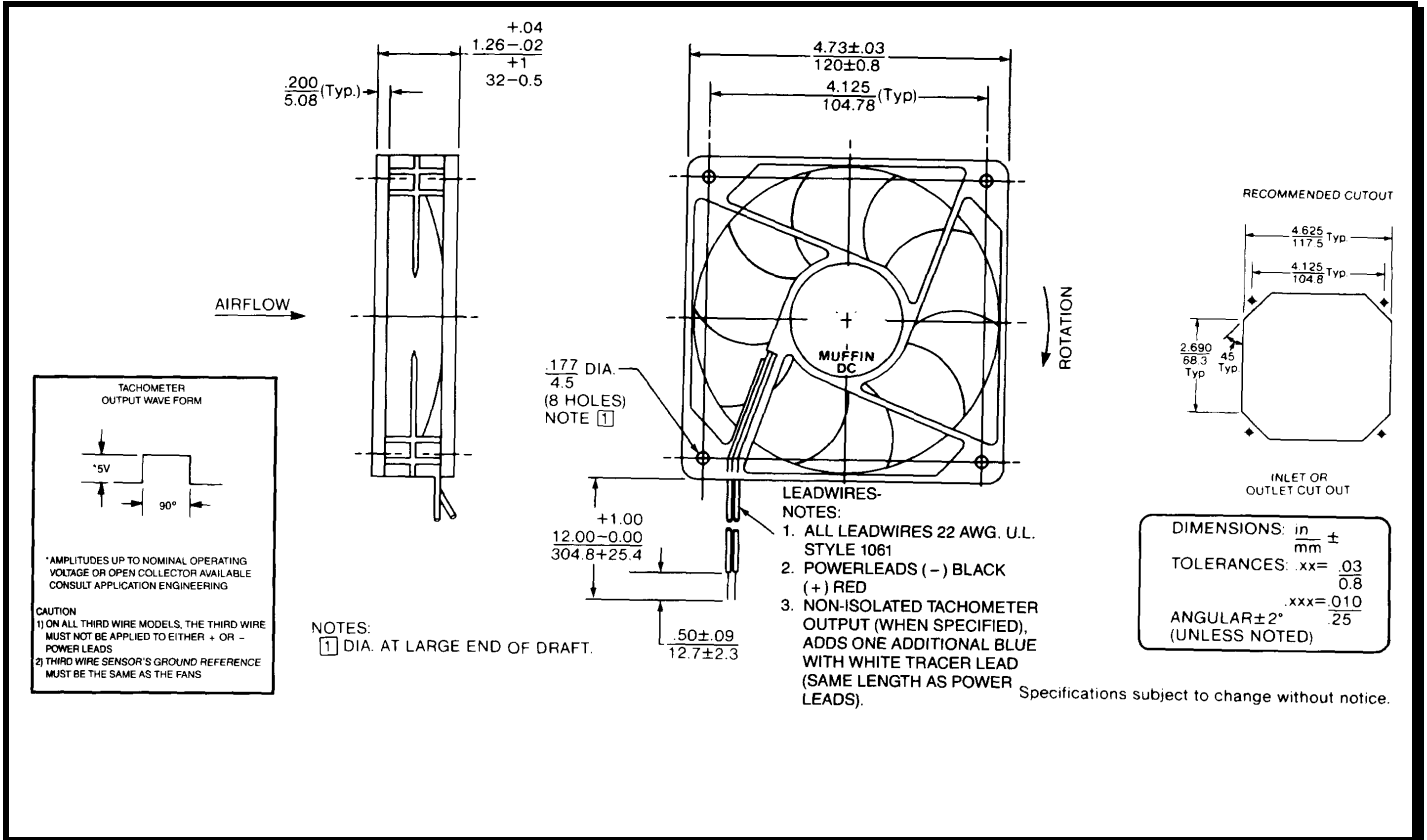
SPECIFICATIONS



Model Number: MC24S3H
Part Number: 19032400A

Version: 00
May 23, 2017

Mechanical Drawing:



Motor (full speed):

Nominal Voltage	= 24 vdc
Operating Voltage Range	= 12 - 28 vdc
Nominal Running Current	= 0.270 amps
Locked Rotor Current	= 0.700 amps
Running Power	= 6.5 watts
Average Speed	= 3700 RPM
Bearings	=Ball Bearing
Air Flow	= 102 CFM
Acoustic	= 47.8 dBA

Construction:

Venturi: Lexan 500, Black, UL 94V-0
 Propeller: Plastic, Black, UL 94V-0

Life Expectancy:

This fan is designed for continuous duty life of 50,000 hours at 40°C.

Additional Features:

- Brushless DC Motor
- Electronic Locked Rotor Protected
- Polarity Protected
- Automatic Restart Capability
- Thermal Speed Control
- Operating Temperature: -10°C to 70°C
- Storage Temperature: -40°C to 85°C
- Thermal Speed Control

Termination:

- PTC on 24" zip cord
- 12" Lead wires, 22AWG, UL 1061
- Red = Fan Power
- Black = Fan Ground

Agency Approvals:

UL