

## AUTO DRAIN SERIES AD

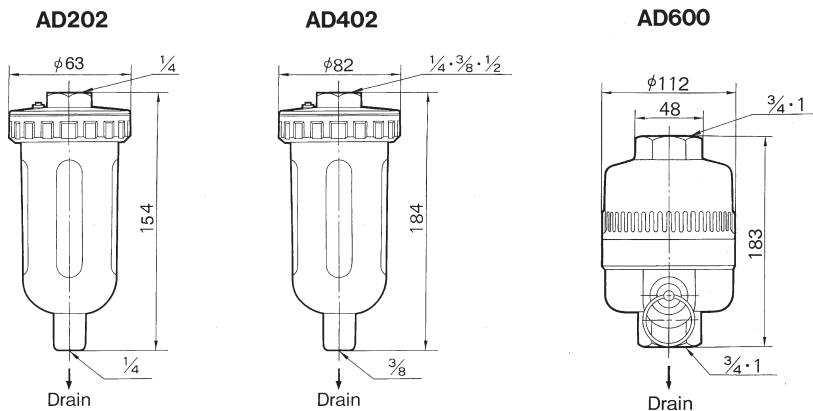
- ✓ Port Sizes 1/4-1
- ✓ Float type automatic drain valve
- ✓ AD600 type also has manual override

### TECHNICAL SPECIFICATIONS

Type	AD202	AD402	AD600
Operating Pressure	0.15 - 0.99 MPa		0.3 - 0.99 MPa
Max. supply pressure	15 Bar		
Ambient and fluid temperature	-5 - 60°C		
Port size	1/4	1/2	3/4, 1
Drain port	1/4	3/8	3/4, 1



### DIMENSIONS AD SERIES AUTO DRAINS



### SYMBOLS



### HOW TO ORDER AUTODRAIN SERIES AD

AD202-02 (1/4)  
AD402-04 (1/2)  
AD600-06 (3/4)  
AD600-10 (1)

**STOCKED PRODUCTS**  
FOR A LIST OF STOCKED PRODUCTS,  
PLEASE SEE THE CURRENT SMC PRICE LIST



SEE INSIDE FRONT COVER FOR  
DETAILS OF YOUR LOCAL SALES OFFICE



FOR FURTHER TECHNICAL  
DETAILS ON THIS  
PRODUCT REQUEST  
CATALOGUE REFERENCE  
AND DISCUSS.