



SQUIRE

Lockmakers since 1780

GarageGuard™

For securing 'up and over' garage doors with 'T' Handle locks

How to use - 4 easy steps



- 1 Line up the garage door T handle with the Garage Guard
- 2 Fit Garage Guard over the T handle
- 3 Turn key
- 4 Your garage door T handle is now secure. Please note that the Garage Guard spins freely once fitted making it more resistant to attack.

Reverse side view



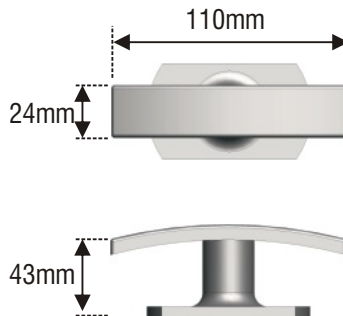
The Garage Guard with the locking plate in the 'open' position



The Garage Guard with the locking plate in the 'locked' position

Will the Garage Guard fit my 'T' Handle?

Please note that the dimensions shown are the **MAXIMUM** that the Garage Guard will fit over. If your 'T' Handle is this size or smaller the Garage Guard will fit. It is designed to fit most 'T' Handles.



MODEL NO. GARAGEGUARD1

Patent Pending

Henry Squire & Sons Limited

Hilton Cross Business Park, Cannock Road, Featherstone, Wolverhampton, WV10 7QZ

Tel: 01902 308050

Fax: 01902 308051

E-Mail: info@henry-squire.co.uk

Website: www.squirelocks.co.uk