

Column level indicators



• Material

Transparent polyamide based (PA-T) technopolymer. Highly resistant to shocks, solvents, oils with additives, aliphatic and aromatic hydrocarbons, petrol, naphtha, phosphoric esters.

Avoid contact with alcohol or detergents containing alcohol.

• Screws, nuts and washers

Glossy zinc-plated steel.

• Flat gaskets

NBR synthetic rubber O-Ring.

• Plate

White lacquered aluminium. The housing, in the appropriate external rear slot, guarantees the best protection from direct contact with fluid, avoiding yellowing effect due to the prolonged action of the fluid at high temperatures.

It can be removed before installation to fit marks and words (for example MAX-MIN), in the needed positions.

• Standard executions

- HCX.: without thermometer.
- HCX/T: with incorporated thermometer.

• Mounting

- By means of the supplied set screws and nuts.
- By means of the supplied set screws, without nuts, by tapping the two holes in the reservoir walls, if they are thick enough.
- By means of the supplied set screws and the Fast Mounting Kit when nuts cannot be fitted from the inside of the reservoir and the walls are not thick enough.

To ensure the best sealing of the O-rings it is recommended to apply the maximum torque on the nuts as reported in the table and a roughness of the gasket application surface $R_a = 3 \mu m$.

• Maximum continuous working temperature

90°C (with oil).

Features and performances

The body of the indicator, entirely in transparent material, is assembled using ultrasound welding to guarantee a perfect seal.

Maximum fluid level visibility even from side positions

Level visibility and temperature reading magnified by lens effect.

Technical data

In laboratory tests carried out with mineral oil type CB68 (according to ISO 3498) at 23°C for a limited period of time, the weld stood up as follows:

- HCX.76 18 bar
- HCX.127 18 bar
- HCX.254 12 bar

If you need to use the indicator with other oils or fluids and under different pressure and temperature conditions, please contact ELESA Technical Department. In any case we suggest to verify the suitability of the product under the actual working conditions.

Special executions on request

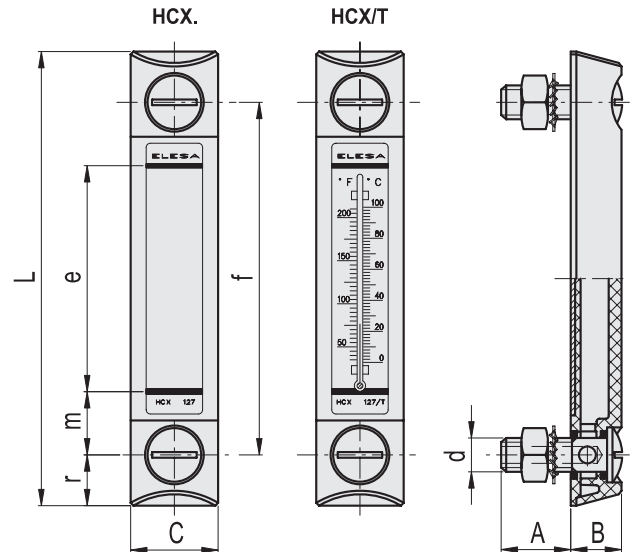
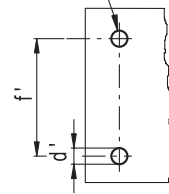
UV resistant transparent technopolymer indicators.

Other standard executions

- HCX-AR for use with fluids containing alcohol.
- HCX-BW-SST for use with hot water.
- Indicators with two red ball-shaped floats (only for HCX executions).



Drilling template
Holes without burrs and chamfer



Code	Description	f	d	A	B	C	L	e	m	r	d ^{1-0.2}	f ^{±0.2}	Thermometer scale °C	Thermometer scale °F	C# [Nm]	⚖️
11341	HCX.76-M10	76	M10	22	16	27	107	40	18	15.5	10.5	76	-	-	12	87
11346	HCX.76/T-M10	76	M10	22	16	27	107	40	18	15.5	10.5	76	20÷100	68÷210	12	87
11349	HCX.127-M10	127	M10	23	18	31	161	80	23	17	10.5	127	-	-	12	138
11354	HCX.127/T-M10	127	M10	23	18	31	161	80	23	17	10.5	127	0÷100	32÷210	12	138
11351	HCX.127-M12	127	M12	23	18	31	161	80	23	17	12.5	127	-	-	12	138
11356	HCX.127/T-M12	127	M12	23	18	31	161	80	23	17	12.5	127	0÷100	32÷210	12	138
11361	HCX.254-M12	254	M12	21	18	35	291	203	26	18.5	12.5	254	-	-	10	185
11366	HCX.254/T-M12	254	M12	21	18	35	291	203	26	18.5	12.5	254	0÷100	32÷210	10	185

Maximum tightening torque.

