

QUICK CONNECT BACK FITTINGS



Universal mounting of the Quick Connect electrical connector series is achieved with a variety of back fittings to match the technical and commercial demands of a wide range of harsh environment applications.

Panel mount lock nut and washer	Suitable for plugs and receptacles	
Flange and gasket (Neoprene)	Ideal for bulhead mounted connectors	

KIT (Components kitted & individual bag)	
Description / Part number	

Gasket	
Neoprene	Centellen
QC205P	QC205C
QC405P	QC405C

Long compression screw gland	Traditional sealing arrangement	
Long compression screw / strain relief adaptor	Traditional sealing arrangement with strain relief	
Wire seal, 2 way Wire seal, 7 way Wire seal, 12 way	Economic wire sealing without the need for sealing gland.	
Wire seal / strain relief adapter, 2 way [Long] Wire seal / strain relief adapter, 7 way [Long] Wire seal / strain relief adapter, 12 way [Long]	Double sealing with additional strain relief	
Wire seal / compression screw gland, 2 way Wire seal / compression screw gland, 7 way Wire seal / compression screw gland, 12 way	Double sealing - Seals on wire insulation and outer cable	
Wire seal / sealed strain relief adapter, 2 way Wire seal / sealed strain relief adapter, 7 way Wire seal / sealed strain relief adapter, 12 way	Double sealing with additional strain relief	
Filler plug for wire seal, 2 way Filler plug for wire seal, 7 way Filler plug for wire seal, 12 way	Options for wire seals	
Overmoulding	Tamperproof solutions	

Wire Seal	Sealing Ring		
	Silicone	Nitrile	Silicone
		QC210N-L	QC210S-L
		QC215N-L	QC215S-L
QC220-02 QC220-07 QC220-12			
QC225-02-L QC225-07-L QC225-12-L			
Included	QC230N-02 QC230N-07 QC230N-12	QC230S-02 QC230S-07 QC230S-12	
Included	QC235N-02 QC235N-07 QC235N-12	QC235S-02 QC235S-07 QC235S-12	
	114017		
	0413-204-2005 0413-204-2005		
	Details on application		

For chemical resistance consult Deutsch

The Quick Connect back fittings suit M16 x 1.5mm pitch thread.

Other options include heat shrink tubing and conduit adaptors. For additional options consult Deutsch or your authorised distributor.

PACKING OPTIONS:

PACK (bagged components in sets of 5)
Add '-05' to part number
E.g. QC205P becomes QC205P-05

BULK PACK (to order quantity)
Add '-BP' to part number
E.g. QC205P becomes QC205P-BP



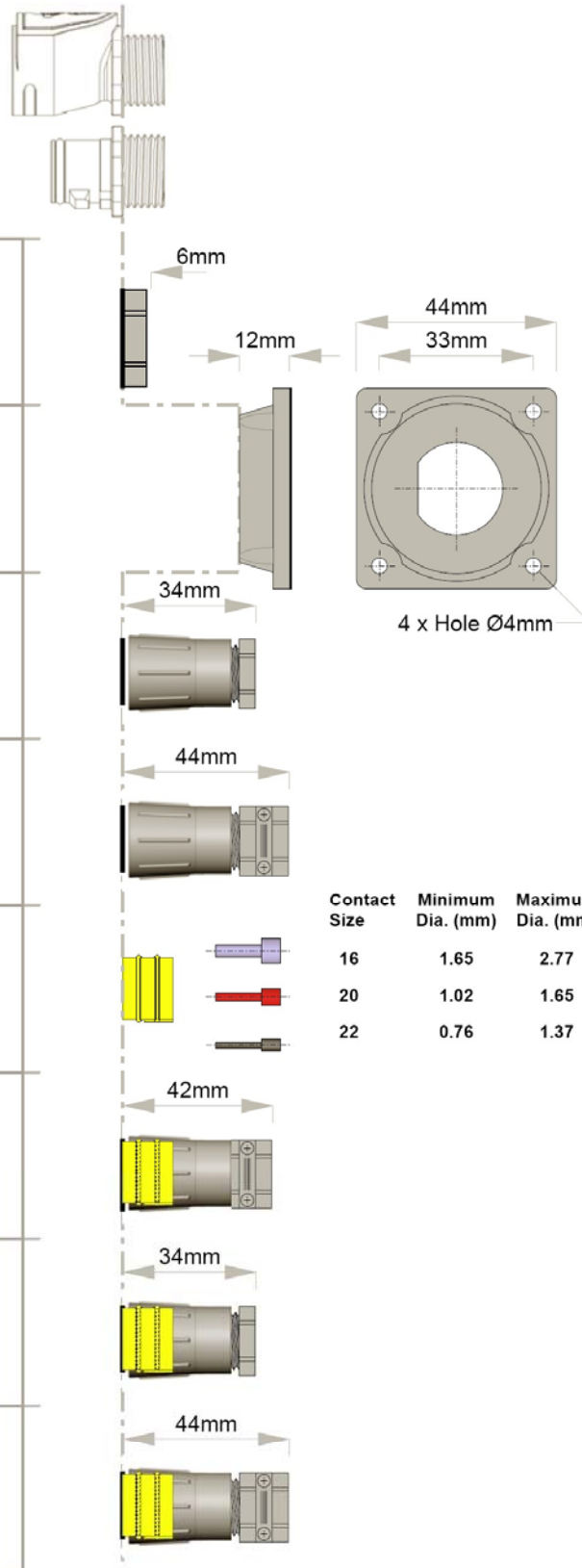
DEUTSCH

Technical

Dimensions

Dimensions are approximate* and in millimetres, measured from the back face of the connector's mounting flange.

Panel mount lock nut and washer
Flange and Gasket (Neoprene)
Long compression screw gland
Long compression screw gland, strain relief adapter
Wire seal, 2 way [Filler plug optional] Wire seal, 7 way [Filler plug optional]
Wire seal / strain relief adapter, 2 way [Long] Wire seal / strain relief adapter, 7 way [Long] Wire seal / strain relief adapter, 12 way [Long]
Wire seal / compression screw gland, 2 way Wire seal / compression screw gland, 7 way Wire seal / compression screw gland, 12 way
Wire seal / sealed strain relief adapter, 2 way Wire seal / sealed strain relief adapter, 7 way Wire seal / sealed strain relief adapter, 12 way



Specifications

Waterproof to IP67 unless stated otherwise

Nylon lock nut with neoprene washer
Requires a screw or bolt of the correct length to suit surface material and thickness
Dia. 4.5 to 11.0mm Cable sealing. Compression fittings must be correctly tightened to achieve an IP68 watertight seal. Contact Deutsch to verify IP68 requirements
Wire sealing (see table opposite). Unused cavities require a filler plug to achieve a watertight seal.
Cable and wire sealing to IP68.

*Dimensions are approximate due to variances in cable specifications and resulting compression

Contact Deutsch to verify individual application requirements



DEUTSCH

Subject to change without prior notification

A step ahead in technology

Castleham Industrial Estate
2 Stanier Road
St Leonards on Sea
East Sussex
TN38 9RP England
Telephone +44 (0) 1424 852722
Fax +44 (0) 1424 855979
Email industrial@deutsch.co.uk
www.deutschltd.com

©2005 Deutsch DS/90/1 05/05